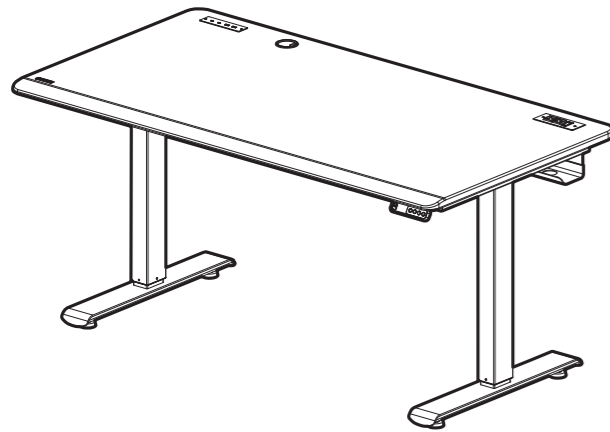


COUGAR

MADE FOR CREATORS



ROYAL ELECTRIC STANDING DESK

FEATURES

Cougar Electric Standing Desk chooses outstanding Timotion lifting columns, control box and keypad with exceptional quality construction. With cable management attached to preserve you the tidy desk. Exclusively built-in 7-in-1 docking station let you expand the connectivity options of laptop. We integrate all your needs into this desk.

ENGLISH

- Premium Stylish Desktop
- Dual Motor Desk for Extra Weight Capacity, Smooth Lifting and Reliability
- Superior Knob Control Memory Keypad
- World-Class Stability Frames
- Convenient Cable Management Tools
- Exclusive Built-in 7-in-1 Docking Station

ESPAÑOL

- Escritorio elegante de primera calidad
- Teclado de memoria superior controlado por perilla
- Marcos de estabilidad de clase mundial
- Cómodas herramientas de gestión de cableado
- Escritorio de motor dual para una capacidad de peso extra, elevación suave, segura y fiable
- Exclusiva estación de acoplamiento 7 en 1 incorporada

PORTUGUÊS

- Mesa ergonômica e confortável
- Avançados botões de controle com apenas 1 toque
- Estrutura de mesa estável de classe mundial
- Design conveniente de gerenciamento de cabos
- Elevação confiável e estável com acionamento por motor duplo
- Exclusiva estação de conexão 7 em 1

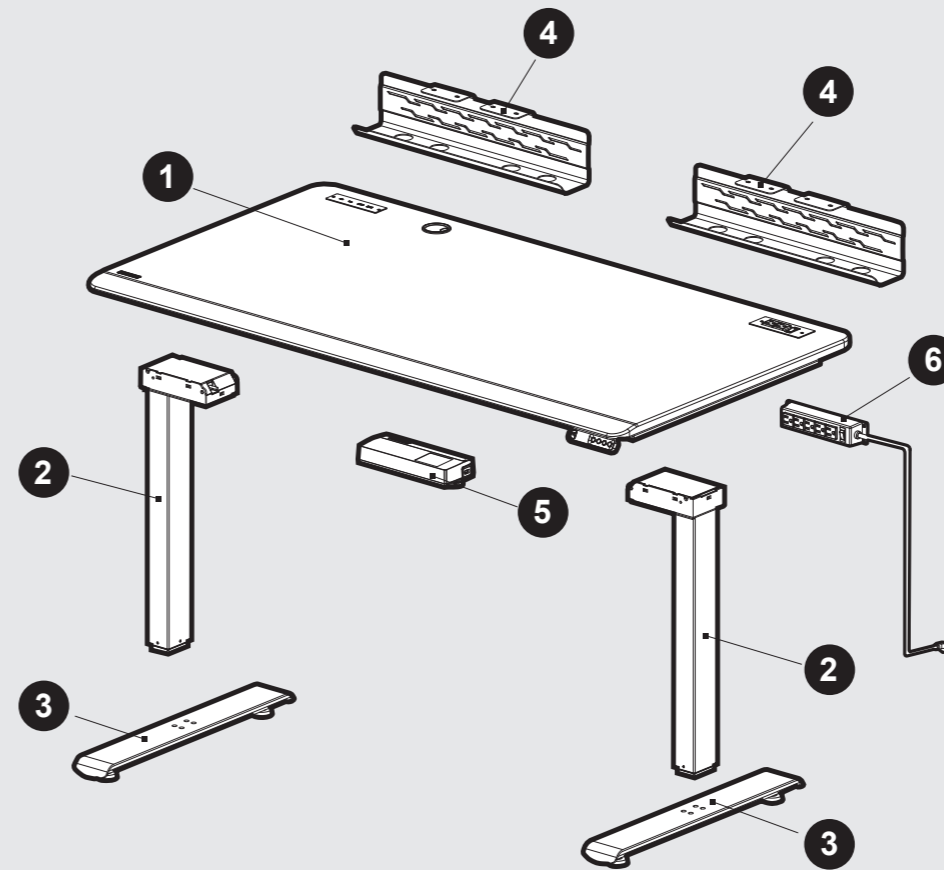
РУССКИЙ

- Стильный рабочий стол премиум-класса
- Двухмоторный стол для большего веса, плавного хода и надежности
- Первоклассная панель управления памятью высот
- Устойчивая основа отменного качества
- Удобный механизм укладки кабелей
- Эксклюзивная встроенная док-станция «7 в 1»

中文

- 舒适的人体工学桌版
- 稳定可靠的双马达驱动升降系统
- 高级拨杆式一键到位控制器
- 世界一流的稳定性桌架
- 便利收纳的理线设计
- 独家内嵌式七合一多功能连接埠

PARTS & HARDWARE LIST



PARTS / COMPONENT LIST

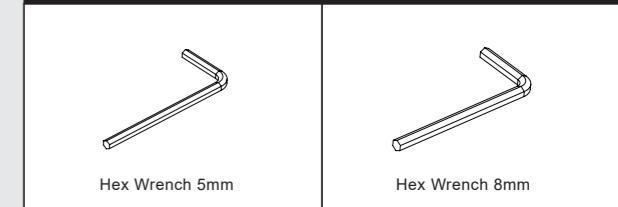
Number	Part Name	Quantity
1	Desk Top	x1
2	Lifting Column	x2
3	Foot	x2
4	Under-Desk Cable Trays	x2
5	Control Box	x1
6	Power Strip	x1

HARDWARE LIST

Label	Hardware Description	Quantity
A	M6x16mm Hexagon Screw	150 Series x18
		120 Series x14
B	M10x15mm Hexagon Screw	x10

* Listed qty included 2 extra screws in the package as spare parts

TOOLS REQUIRED



SPECIFICATION

Product Name	COUGAR ROYAL ELECTRIC STANDING DESK
Preassembled Desk Frame	2 stage columns and dual motors desk frame
Desk Dimension	59"x31"x1" or 47"x31"x1"
Height Range	27"- 47"(without desktop) / 28"- 48"(with desktop)
Travel Speed	1.57"/second
Noise Level	≤50 decibels during motion
Lifting Capacity	220 lb
Input	100-240VAC, 50/60Hz
Quality Certifications	ANSI/BIFMA X5.5-2014 Durability Certification
Desktop Chemical Test	Meet RoHS, SGS & PROP 65 compliant
Electronic Devices Safety Certifications	Lifting Column, Control Box & Power Strip- UL certification Docking Station- FCC & CE certification
Built-in Docking Port (Optional)	Input Type C x1, Type C USB 3.1 x1, Type A USB 3.1 x2 HDMI 2.0 x1, DP1.4 x1, Power in PD 3.0 x1

CAUTION, USE & LIABILITY

CAUTION

Make sure no obstacles are in the desk's path. Make sure the desk top is not touching any walls. Make sure all cords are of appropriate lengths to accommodate the change in desk height.



- Read and understand this manual before attempting to install or operate.
- This product is not intended for use by young children or for those who require supervision.
- Do not sit or stand on the desk. Do not crawl or lie under the desk.
- Do not place any objects taller than 20" underneath the desk.
- Do not open any of the components – lifting columns, control box, or controller. There is a risk of electric shock.
- **The desk must be INITIALIZED before first use.**

USE & LIABILITY

This sit-to-stand adjustable desk has electric motors and is designed for use in an indoor environment and dry work areas only. The desk height is adjustable so that it can be positioned at the most suitable height. Any other use is at user's risk. Under no circumstances does the manufacturer accept warranty claims or liability claims for damages caused from improper use or handling of the desk.

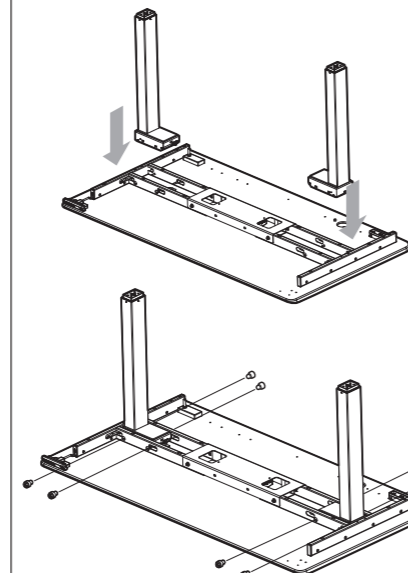
ASSEMBLY INSTRUCTIONS

BEFORE YOU BEGIN

1. Lay out all components and hardware to ensure that you have everything listed.
2. The desk weighs over 100 lbs. Two people are needed to turn or move desk top and some components. When turning or moving the assembled desk, grab it by Lifting column (not the desk top).
3. Assemble on the soft and non-abrasive surface to avoid scratch or damage to the desk top.

STEP 1

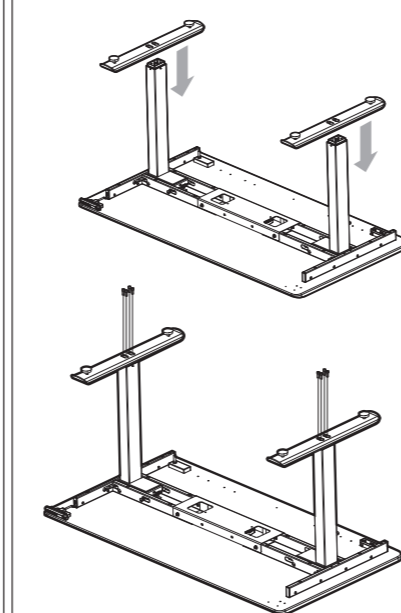
Insert the lifting column so that the back of the lifting column and the back of the crossbar end are flush. Use Hex wrench 5mm to tighten with 4pcs of screw A (M6x16mm) screws on each side.



A	M6x16mm hexagon screw	x8
---	-----------------------	----

STEP 2

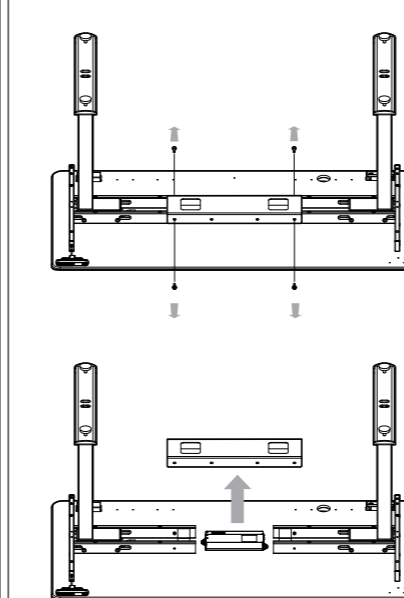
Use 8mm Hex wrench to secure foot to lifting column with four screw B (M10x15mm) on each side.



B	M10x15mm hexagon screw	x8
---	------------------------	----

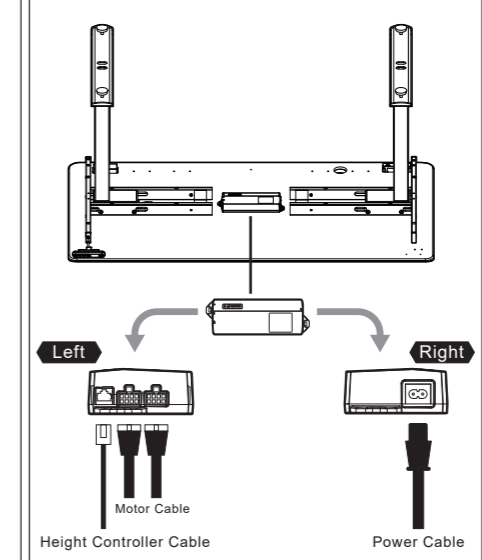
STEP 3

Unfasten the connecting sheet metal above the control box by using 5mm hex wrench. Then place the sheet metal on side, ready for following step 4 to plug the cables to control box.



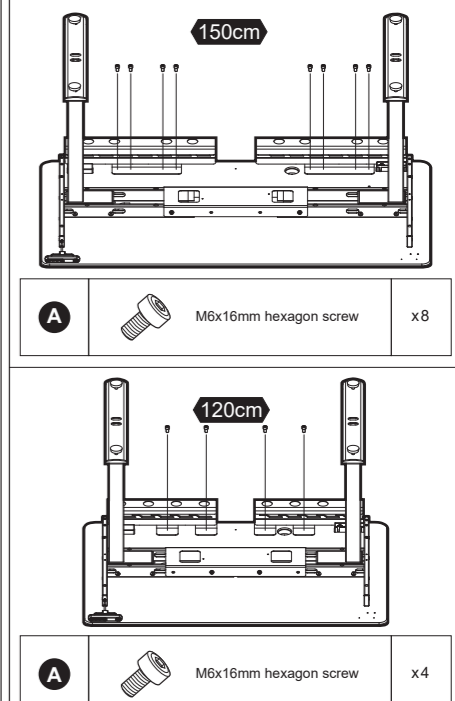
STEP 4

1. Connect height controller cable to the left plug on control box.
2. Connect motor cables to control box. Motor cables can be connected interchangeably to either port.
3. Plug power cable to the right plug on control box.
4. Then put back the sheet metal and make sure well screwed with four screws as original condition.



STEP 5

Install under-desk cable trays by using a 5mm hex wrench to tighten four screw A (M6x16mm) on each side. Then, Plug power cord of control box to 5-outlet power strip.

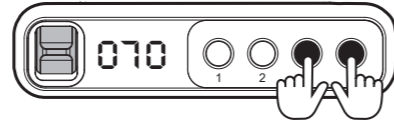


A	M6x16mm hexagon screw	x4
---	-----------------------	----

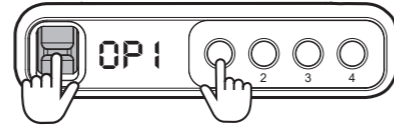
LIFT DESK WITH CONTROLLER

The controller is a simple yet classic hand control for height-adjustable desk. It allows the user to set four preferred heights and equipped with a three-digit height display. You can preset up to four positions. Use knob switch to move the desk to your desired position.

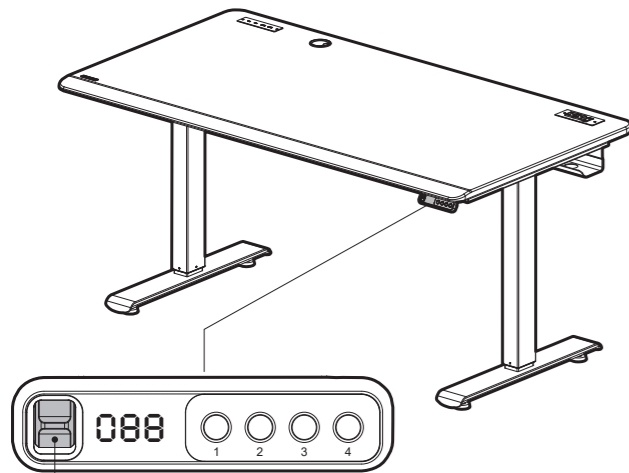
- 3-digit display shows the height of the desk.
- Memory functionality (4 settings)
- Mounted to the desk front side
- Knob switch for up and down
- Especially designed for adjustable height desk application.



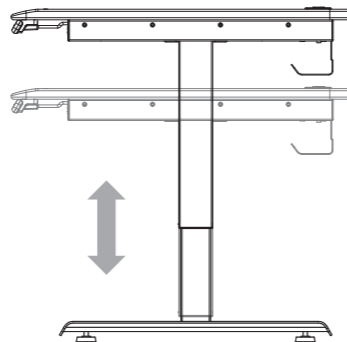
Users must conduct a reset when the desk operated for the first time. Simultaneously press button 3 and 4 for 8 seconds. Continue pressing the buttons until both columns are in lowest position. When finished with the reset, the control box makes a beep sound and the buttons can be released. Then, the display will show starting height.



Simultaneously press the preferred memory buttons (1,2,3,4) with scrolling down or up knob switch for 3 seconds, once the display shows P1 or P2 or P3 or P4, means the position is memorized. Then, just press button 1,2,3 or 4 to move desk to memorized position.



*Knob switch: Adjust the height adjustable desk to go up or down.



TROUBLESHOOTING

Issues(s)	Solution
Desk does not go up or down	Check all connections. Make sure power cord is plugged into the control box and a power outlet. Unplug the power cord and replug after 10 seconds. Re-initialize the desk. If the problem persists, switch motor cables from one port to another at control box and re-initialize one more time. If you have been using the desk continuously for 2 minutes, non-movement might be due to overheat. Stop using the desk for 10 minutes and let it cool down.
Columns do not go up evenly.	Unplug the power cord and re-plug after 10 seconds. Re-initialize the desk. If the problem persists, switch motor cables from one port to another at control box and re-initialize one more time.
Desk wobbles pretty excessively.	It is normal that desk wobbles slightly at standing height when in use. Make sure all the screws are tightened and adjust leveling studs if the floor is uneven.
Desk is unusually noisy	It is normal that the desk is noisier when one stage extends into the other. Apply silicon based lubricant if it is unusually noisy.
<p>Reset may be needed from time to time in events like non-movement, uneven movement, sudden power outage, over-load, overheat and etc.</p> <p>For most electronic devices, reset is simply a power-off and a power-on. This desk has dual motors. The reset involves more than a conventional power-off and power-on as both motors need to be synchronized. The reset process is the same as initialization. If your desk has memory controller, press and hold both UP and DOWN arrow buttons, and release both buttons when 000 appears. If your desk has basic 2-button controller, press and hold UP and DOWN arrow buttons for 3 seconds, and then release both buttons. The desk will first go to the lowest position, then the highest position and finally stops in between.</p>	

ERROR CODE FOR DESK WITH MEMORY CONTROLLER

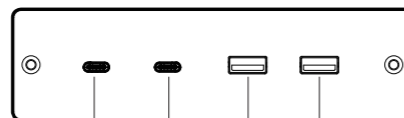
The digital display shows the error code s below to suggest the issues that users may encounter during the operation.

Error Code	Solution
E00	Not reset completely
E01	Overuse protection
E02	Unbalance protection
E03	Anti-collision
E04	T-touch Protection
E11	M1 Motor over-current protection
E12	M2 Motor over-current protection
E21	No Hall sensor from M1
E22	No Hall sensor from M2
E31	No current from M1
E32	No current from M2

Docking Station Spec sheet (Optional)

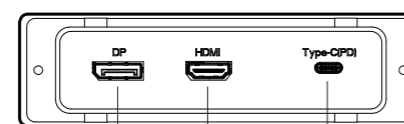
Features	
Input Port	Type C with PD Function
Type C (Data only) x 1	
Type	USB3.1 Gen 1
Speed	5Gb/S
Power Delivery	Unable (Data Only)
Battery Charging	Enable
Type A x 2	
Type	USB3.1 Gen 1
Speed	5Gb/S
Battery Charging	Enable
Type C (Power IN with PD Charge) x 1	
Type	USB 2.0 Data
Speed	480Mb/S
Power Delivery	Enable, PD 3.0
HDMI	
HDMI 2.0	
Max. Resolution	4K@ 60Hz
DP	
DP 1.4	
Max. Resolution	4K@ 60Hz
Power Request	
Support Power Adapter	Max 100W

Top



Type C (Data only)
USB 3.1
Type C (With PD Function)

Bottom

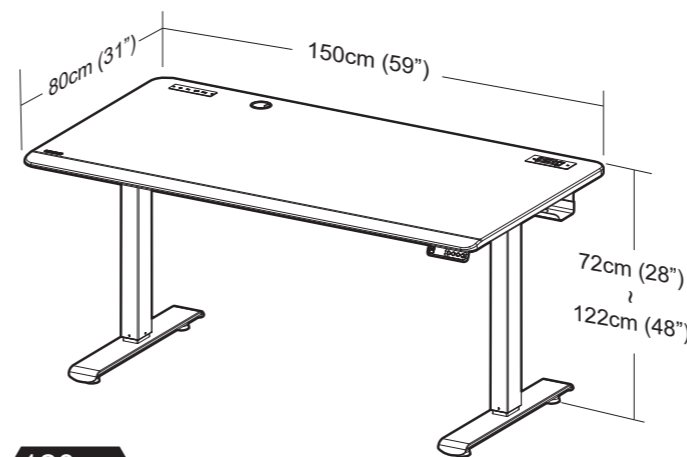


DP 1.4
HDMI 2.0
TYPE-C (PD Charge)

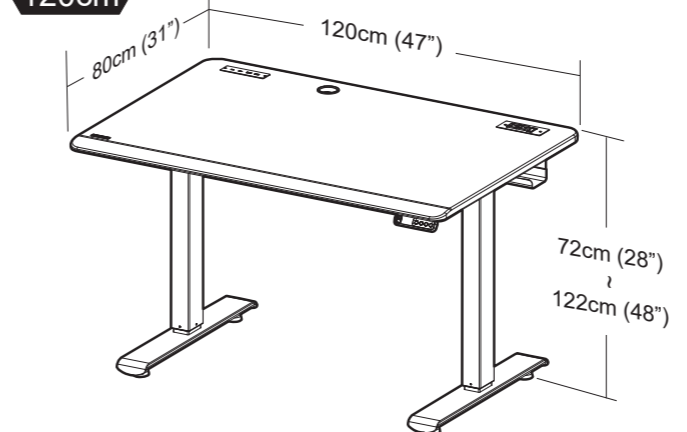
Note:
Final resolution of HDMI or DP output depends on your host devices.
System Requirements: The connected laptop must support Power Delivery and DisplayPort Alt Mode via the USB-C port.

Specification

150cm



120cm



GLOBAL WARRANTY POLICY

WARRANTY PERIODS OF COUGAR WORK PRODUCTS

Product : COUGAR ROYAL ELECTRIC STANDING DESK
Warranty: 2-Year Warranty for COUGAR Electric Standing Desk / 5-Year Warranty for lifting column.
This warranty gives you specific legal rights. You may also have other rights granted under local law. These rights may vary.

WARRANTY AGREEMENT

- If the product has defects in material or manufacture, COUGAR will provide repair and replacement service within the warranty period.
- Our warranty service is based on the date of the invoice or warranty card.

WARNING

- Please wear protective gloves when assembling the Desk. It is your own responsibility to use appropriate protection to prevent any physical damage.
- Do not use abrasive products or scrub energetically when cleaning. Please stick to gentle products suitable for delicate materials.
- All parts should be checked monthly to confirm their integrity and to make sure that the screws are not loose.
- If any part of the product is or appears to be damaged, missing or loose, please contact the local distributor and do not use the product. WARNING

CONTACT INFORMATION

LOYALTY FOUNDER ENTERPRISE CO., LTD.
13F, NO.859, Jingguo Rd, Taoyuan Taiwan, R.O.C
TEL:+886-3-3269123
Service email : service@cougarwork.com
COUGAR WORK. All Rights Reserved. Made in China

COUGAR
MADE FOR CREATORS