



# **WF-100 Series**

# **User's Guide**

## Copyright

# Copyright

No part of this publication may be reproduced, stored in a retrieval system, or transmitted in any form or by any means, electronic, mechanical, photocopying, recording, or otherwise, without the prior written permission of Seiko Epson Corporation. No patent liability is assumed with respect to the use of the information contained herein. Neither is any liability assumed for damages resulting from the use of the information herein. The information contained herein is designed only for use with this Epson printer. Epson is not responsible for any use of this information as applied to other printers.

Neither Seiko Epson Corporation nor its affiliates shall be liable to the purchaser of this product or third parties for damages, losses, costs, or expenses incurred by the purchaser or third parties as a result of accident, misuse, or abuse of this product or unauthorized modifications, repairs, or alterations to this product, or (excluding the U.S.) failure to strictly comply with Seiko Epson Corporation's operating and maintenance instructions.

Seiko Epson Corporation and its affiliates shall not be liable for any damages or problems arising from the use of any options or any consumable products other than those designated as Original Epson Products or Epson Approved Products by Seiko Epson Corporation.

Seiko Epson Corporation shall not be held liable for any damage resulting from electromagnetic interference that occurs from the use of any interface cables other than those designated as Epson Approved Products by Seiko Epson Corporation.

© 2016 Seiko Epson Corporation. All rights reserved.

The contents of this manual and the specifications of this product are subject to change without notice.

## Trademarks

# Trademarks

- ❑ EPSON® is a registered trademark, and EPSON EXCEED YOUR VISION or EXCEED YOUR VISION is a trademark of Seiko Epson Corporation.
- ❑ Microsoft®, Windows®, and Windows Vista® are registered trademarks of Microsoft Corporation.
- ❑ Apple, Macintosh, Mac OS, OS X, Bonjour, Safari, iPad, iPhone, iPod touch, and iTunes are trademarks of Apple Inc., registered in the U.S. and other countries. AirPrint and the AirPrint logo are trademarks of Apple Inc.
- ❑ Google Cloud Print™, Chrome™, Chrome OS™, and Android™ are trademarks of Google Inc.
- ❑ Adobe, Adobe Reader, Acrobat, and Photoshop are trademarks of Adobe systems Incorporated, which may be registered in certain jurisdictions.
- ❑ Intel® is a registered trademark of Intel Corporation.
- ❑ General Notice: Other product names used herein are for identification purposes only and may be trademarks of their respective owners. Epson disclaims any and all rights in those marks.

## Contents

### Copyright

### Trademarks

### About This Manual

Introduction to the Manuals. . . . .	7
Marks and Symbols. . . . .	7
Descriptions Used in this Manual. . . . .	7
Operating System References. . . . .	8

### Important Instructions

Safety Instructions. . . . .	9
Safety Instructions for the Battery. . . . .	10
Printer Advisories and Warnings. . . . .	10
Advisories and Warnings for Setting Up/ Using the Printer. . . . .	10
Advisories and Warnings for Using the Printer with a Wireless Connection. . . . .	12
Advisories and Warnings for Using the LCD Screen. . . . .	12
Disposing of European Printer Models. . . . .	12
Protecting Your Personal Information. . . . .	12

### Tips for Smart Use

Tips: Printing Using the Epson Basic Driver (Windows). . . . .	13
Tips: Charging the Battery. . . . .	13
Tips: Printing from Your Smartphone or Tablet. . . . .	13
Tips: Adjusting Density or Color. . . . .	14
Tips: Considering the Environment. . . . .	14
Tips: Storing the Printer. . . . .	15

### Printer Basics

Part Names and Functions. . . . .	16
Control Panel. . . . .	18
Buttons and Lights. . . . .	18
Guide to the LCD Screen. . . . .	18
Menu Options. . . . .	20
Menu. . . . .	20

### Loading Paper

Paper Handling Precautions. . . . .	23
-------------------------------------	----

Available Paper and Capacities. . . . .	24
List of Paper Types. . . . .	25
Loading Paper in the Rear Paper Feed. . . . .	25

### Printing

Printing from a Computer. . . . .	29
Using the Epson Basic Driver (for Windows Only). . . . .	29
Printing Basics - Windows. . . . .	31
Printing Basics - Mac OS X. . . . .	32
Printing on 2-Sides (for Windows only). . . . .	35
Printing Several Pages on One Sheet. . . . .	36
Printing to Fit the Paper Size. . . . .	37
Printing Multiple Files Together (for Windows Only). . . . .	38
Enlarged Printing and Making Posters (for Windows Only). . . . .	39
Printing Using Advanced Features. . . . .	45
Printing from Smart Devices. . . . .	47
Using Epson iPrint. . . . .	47
Using AirPrint. . . . .	49
Canceling Printing. . . . .	49
Canceling Printing - Printer Button. . . . .	49
Canceling Printing - Windows. . . . .	50
Canceling Printing - Mac OS X. . . . .	50

### Charging the Battery

Battery Charging Precautions. . . . .	51
Charging the Battery by Connecting to an AC Adapter. . . . .	51
Charging the Battery with a USB Connection. . . . .	52

### Replacing Ink Cartridges and Other Consumables

Checking the Status of the Remaining Ink and the Maintenance Box. . . . .	53
Checking the Status of the Remaining Ink and the Maintenance Box - Control Panel. . . . .	53
Checking the Status of the Remaining Ink and the Maintenance Box - Windows. . . . .	53
Checking the Status of the Remaining Ink and the Maintenance Box - Mac OS X. . . . .	53
Ink Cartridge Codes. . . . .	54
Ink Cartridge Handling Precautions. . . . .	54
Replacing Ink Cartridges. . . . .	57



**Contents**

Contacting Epson Support. . . . . 102

# About This Manual

---

## Introduction to the Manuals

The latest versions of the following manuals are available from the Epson support website.

<http://www.epson.eu/Support> (Europe)

<http://support.epson.net/> (outside Europe)

Important Safety Instructions (paper manual)

Provides you with instructions to ensure the safe use of this printer. This manual may not be included depending on model and region.

Start Here (paper manual)

Provides you with information on setting up the printer, installing the software, using the printer, solving problems, and so on.

User's Guide (PDF manual)

This manual. Provides instructions on using the printer, replacing ink cartridges, maintenance, and solving problems.

Network Guide (PDF manual)

Provides information on network settings and solving problems when using the printer on a network.

As well as the manuals above, see the help included in the various Epson software applications.

---

## Marks and Symbols



**Caution:**

*Instructions that must be followed carefully to avoid bodily injury.*



**Important:**

*Instructions that must be observed to avoid damage to your equipment.*

**Note:**

*Instructions containing useful tips and restrictions on printer operation.*

**➔** Related Information

Links to related sections.

---

## Descriptions Used in this Manual

- Screenshots of the printer driver screens are from Windows 8.1 or Mac OS X v10.9.x. The content displayed on the screens varies depending on the model and situation.

## About This Manual

- ❑ Illustrations of the printer used in this manual are examples only. Although there may be slight differences depending on the model, the method of operation is the same.
- ❑ Some of the menu items on the LCD screen vary depending on the model and settings.

---

## Operating System References

### Windows

In this manual, terms such as "Windows 8.1", "Windows 8", "Windows 7", "Windows Vista", "Windows XP", "Windows Server 2012 R2", "Windows Server 2012", "Windows Server 2008 R2", "Windows Server 2008", "Windows Server 2003 R2", and "Windows Server 2003" refer to the following operating systems. Additionally, "Windows" is used to refer to all versions.

- ❑ Microsoft® Windows® 8.1 operating system
- ❑ Microsoft® Windows® 8 operating system
- ❑ Microsoft® Windows® 7 operating system
- ❑ Microsoft® Windows Vista® operating system
- ❑ Microsoft® Windows® XP operating system
- ❑ Microsoft® Windows® XP Professional x64 Edition operating system
- ❑ Microsoft® Windows Server® 2012 R2 operating system
- ❑ Microsoft® Windows Server® 2012 operating system
- ❑ Microsoft® Windows Server® 2008 R2 operating system
- ❑ Microsoft® Windows Server® 2008 operating system
- ❑ Microsoft® Windows Server® 2003 R2 operating system
- ❑ Microsoft® Windows Server® 2003 operating system

### Mac OS X

In this manual, "Mac OS X v10.9.x" refers to "OS X Mavericks" and "Mac OS X v10.8.x" refers to "OS X Mountain Lion". Additionally, "Mac OS X" is used to refer to "Mac OS X v10.9.x", "Mac OS X v10.8.x", "Mac OS X v10.7.x" and "Mac OS X v10.6.8".



# Important Instructions

---

## Safety Instructions

Read and follow these instructions to ensure safe use of this printer. Make sure you keep this manual for future reference. Also, be sure to follow all warnings and instructions marked on the printer.

- ❑ Some of the symbols used on your printer are to ensure safety and proper use of the printer. Visit the following Web site to learn the meaning of the symbols.

<http://support.epson.net/symbols>

- ❑ Use only the power cord supplied with the printer and do not use the cord with any other equipment. Use of other cords with this printer or the use of the supplied power cord with other equipment may result in fire or electric shock.
- ❑ Use only the type of power source indicated on the AC adapter's label, and always supply power directly from a standard domestic electrical outlet with the AC power cord that meets the relevant local safety standards.
- ❑ Never disassemble, modify, or attempt to repair the AC adapter, power cord, printer, and options by yourself except as specifically explained in the printer's guides. Doing so may result in injury, electric shock, or fire.
- ❑ Unplug the printer and the AC adapter, and refer servicing to qualified service personnel under the following conditions:  
The power cord or plug is damaged; liquid has entered the printer or the AC adapter; the printer or the AC adapter has been dropped or the casing damaged; the printer or the AC adapter does not operate normally or exhibits a distinct change in performance. Do not adjust controls that are not covered by the operating instructions.
- ❑ Place AC adapter near a wall outlet where the plug can be easily unplugged.
- ❑ Do not place or store the printer and the AC adapter outdoors, near excessive dirt or dust, water, heat sources, or in locations subject to shocks, vibrations, high temperature or humidity.
- ❑ Do not leave the printer in direct sunlight, near heaters, inside cars or other locations that are subject to high temperatures. The printer may be deformed or ink may leak.
- ❑ Take care not to spill liquid on the printer and the AC adapter, and not to handle the printer and the AC adapter with wet hands.
- ❑ The AC adapter model A461H or A462E is designed for use with the printer with which it was included. Do not attempt to use it with other electronic devices unless specified.
- ❑ Keep the printer at least 22 cm away from cardiac pacemakers. Radio waves from this printer may adversely affect the operation of cardiac pacemakers.
- ❑ If the LCD screen is damaged, contact your dealer. If the liquid crystal solution gets on your hands, wash them thoroughly with soap and water. If the liquid crystal solution gets into your eyes, flush them immediately with water. If discomfort or vision problems remain after a thorough flushing, see a doctor immediately.
- ❑ If you use the printer in places where the use of electronic devices is limited, such as in airplanes or hospitals, follow all instructions in those places.
- ❑ Be careful when you handle used ink cartridges, as there may be some ink around the ink supply port.
  - ❑ If ink gets on your skin, wash the area thoroughly with soap and water.
  - ❑ If ink gets into your eyes, flush them immediately with water. If discomfort or vision problems continue after a thorough flushing, see a doctor immediately.
  - ❑ If ink gets into your mouth, see a doctor right away.

## Important Instructions

- Do not disassemble the ink cartridge and the maintenance box; otherwise ink may get into your eyes or on your skin.
- Do not shake ink cartridges too vigorously and do not drop them. Also, be careful not to squeeze them or tear their labels. Doing so may cause ink leakage.
- Keep ink cartridges and maintenance box out of the reach of children.

## Safety Instructions for the Battery

- If the battery is not fully charged within the specified time, stop charging. Otherwise, the battery could become hot, emit smoke, rupture, or catch fire.
- Do not place the printer in a microwave oven or a high-pressure container. Otherwise, the battery could become hot, emit smoke, rupture, or catch fire.
- If the liquid leaks from the printer (or the printer gives out bad smell), let the printer leave from flammable objects immediately. Unless do that, the electrolyte leaked from battery will catch fire and it will cause the smoke, flame or rupture of it.
- If battery acid gets in your eyes, immediately rinse your eyes thoroughly with fresh water without rubbing them. And then, see a doctor immediately. Otherwise, permanent eye damage could result.
- If battery acid gets on your skin, immediately rinse the affected area thoroughly with water. And then, see a doctor immediately.
- Do not drop or throw the printer or subject it to strong shocks. Otherwise, the battery could leak or the protection circuit in the battery could be damaged. As a result, the battery could become hot, emit smoke, rupture, or catch fire.
- Do not use or leave the printer in a hot location (more than 80°C), such as near a fire or a heater. Otherwise, the plastic separator could melt and the individual cells could short-circuit. As a result, the battery could become hot, emit smoke, rupture, or catch fire.
- Do not use the printer if it is leaking or damaged in any way. Otherwise, the battery could become hot, emit smoke, rupture, or catch fire.
- Do not leave the printer in a vehicle. Otherwise, the battery could overheat.

---

## Printer Advisories and Warnings

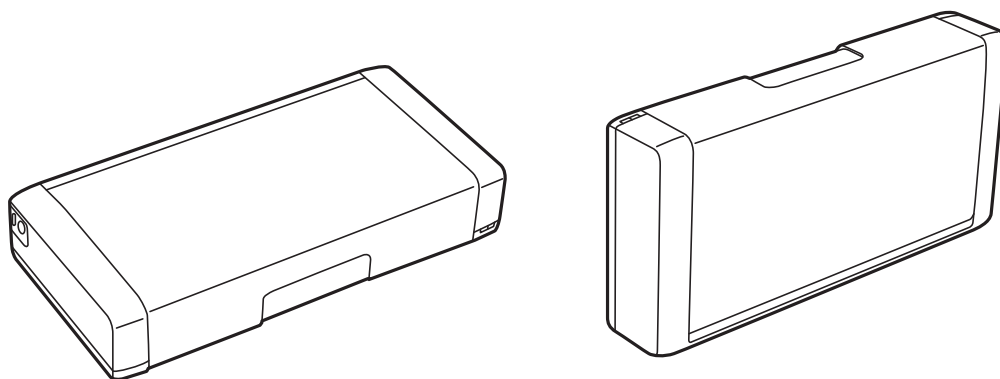
Read and follow these instructions to avoid damaging the printer or your property. Make sure you keep this manual for future reference.



### Advisories and Warnings for Setting Up/Using the Printer

- Do not block or cover the vents and openings in the printer.
- Avoid using outlets on the same circuit as photocopiers or air control systems that regularly switch on and off.
- Avoid electrical outlets controlled by wall switches or automatic timers.
- Keep the entire computer system away from potential sources of electromagnetic interference, such as loudspeakers or the base units of cordless telephones.

## Important Instructions

- ❑ The power-supply cords should be placed to avoid abrasions, cuts, fraying, crimping, and kinking. Do not place objects on top of the power-supply cords and do not allow the AC adapter or power-supply cords to be stepped on or run over. Be particularly careful to keep all the power-supply cords straight at the ends and the points where they enter and leave the AC adapter.
- ❑ If you use an extension cord with the printer, make sure that the total ampere rating of the devices plugged into the extension cord does not exceed the cord's ampere rating. Also, make sure that the total ampere rating of all devices plugged into the wall outlet does not exceed the wall outlet's ampere rating.
- ❑ If you plan to use the AC adapter in Germany, the building installation must be protected by a 10 or 16 amp circuit breaker to provide adequate short-circuit protection and over-current protection for the printer.
- ❑ When connecting the printer to a computer or other device with a cable, ensure the correct orientation of the connectors. Each connector has only one correct orientation. Inserting a connector in the wrong orientation may damage both devices connected by the cable.
- ❑ Place the printer on a flat, stable surface that extends beyond the base of the printer in all directions. The printer will not operate properly if it is tilted at an angle.
- ❑ When storing or transporting the printer, place the printer as shown in the illustration.



- ❑ Leave enough space in front of the printer for the paper to be fully ejected.
- ❑ Avoid places subject to rapid changes in temperature and humidity. Also, keep the printer and the AC adapter away from direct sunlight, strong light, water, or heat sources.
- ❑ Do not insert objects through the slots in the printer.
- ❑ Do not put your hand inside the printer during printing.
- ❑ Do not touch the white flat cable inside the printer.
- ❑ Do not use aerosol products that contain flammable gases inside or around the printer. Doing so may cause fire.
- ❑ Do not move the print head by hand; otherwise, you may damage the printer.
- ❑ Always turn the printer off using the  button. Do not unplug the printer or turn off the power at the outlet until the  light stops flashing.
- ❑ Before transporting the printer, make sure that the print head is in the home (far right) position and the ink cartridges are in place.
- ❑ If you are not going to use the printer for a long period, be sure to unplug the power cord from the electrical outlet.

## Important Instructions

### Advisories and Warnings for Using the Printer with a Wireless Connection

- ❑ Radio waves from this printer may negatively affect the operation of medical electronic equipment, causing them to malfunction. When using this printer inside medical facilities or near medical equipment, follow directions from the authorized personnel representing the medical facilities, and follow all posted warnings and directions on the medical equipment.
- ❑ Radio waves from this printer may negatively affect the operation of automatically controlled devices such as automatic doors or fire alarms, and could lead to accidents due to malfunction. When using this printer near automatically controlled devices, follow all posted warnings and directions on these devices.
- ❑ Follow the instructions given by airline crews to use this printer in flight. Turn off the printer during takeoff and landing according to the in-flight announcement.

### Advisories and Warnings for Using the LCD Screen

- ❑ The LCD screen may contain a few small bright or dark spots, and because of its features it may have an uneven brightness. These are normal and do not indicate that it is damaged in any way.
- ❑ Only use a dry, soft cloth for cleaning. Do not use liquid or chemical cleaners.
- ❑ The exterior cover of the LCD screen could break if it receives a heavy impact. Contact your dealer if the screen's surface chips or cracks, and do not touch or attempt to remove the broken pieces.

---

## Disposing of European Printer Models

There is a battery in the printer.

The crossed out wheeled bin label that can be found on your product indicates that this product and incorporated batteries should not be disposed of via the normal household waste stream. To prevent possible harm to the environment or human health please separate this product and its batteries from other waste streams to ensure that it can be recycled in an environmentally sound manner. For more details on available collection facilities please contact your local government office or the retailer where you purchased this product. Use of the chemical symbols Pb, Cd or Hg indicates if these metals are used in the battery.



---

## Protecting Your Personal Information

When you give the printer to someone else or dispose of it, erase all the personal information stored in the printer's memory by selecting **Menu > Restore Default Settings > All Settings** on the control panel.

## Tips for Smart Use

---

### Tips: Printing Using the Epson Basic Driver (Windows)

The Epson basic driver allows you to print easily whether you are in the office or on the road. Even if you have not installed this printer's driver on your PC, or you have no internet access to download it, you can install the basic driver from the printer itself. All you need to do is connect the printer and your computer via the micro USB cable.

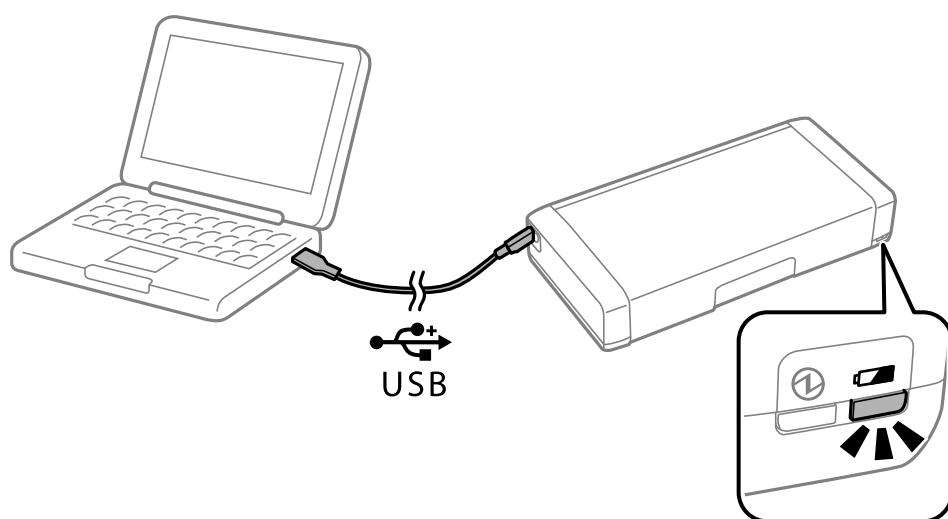
#### Related Information

➔ [“Using the Epson Basic Driver \(for Windows Only\)” on page 29](#)

---

### Tips: Charging the Battery

You can use the printer connecting AC adapter, but the printer also operates with a built-in battery. You can charge the battery by connecting AC adapter to the printer, or using the micro USB cable.



#### Related Information

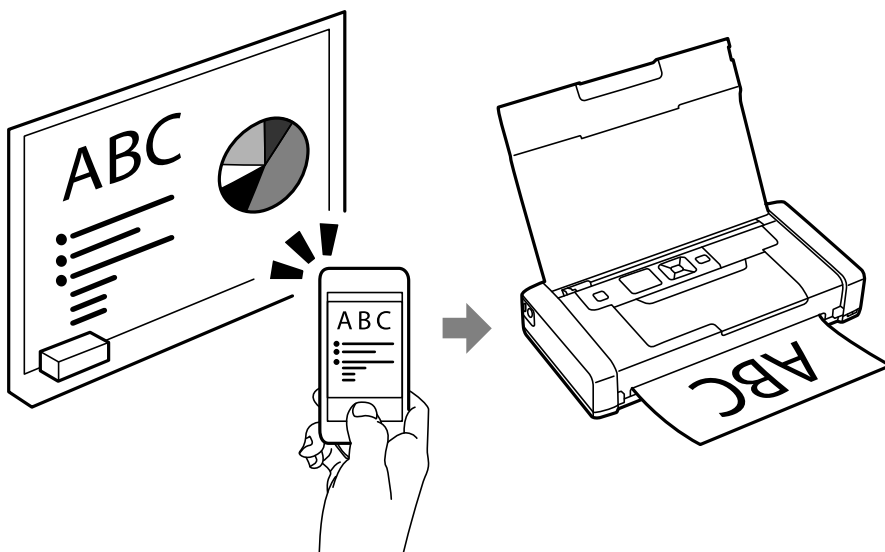
➔ [“Charging the Battery” on page 51](#)

---

### Tips: Printing from Your Smartphone or Tablet

Epson iPrint is an application that allows you to print photos, documents, and Web pages from a smart device such as a smartphone or tablet. A feature of Epson iPrint 'Camera Capture' allows you to capture a document or text image using the camera on your smart device, and print while correcting the distortion and keystone in the image. See the following website for details.

<http://ipr.to>



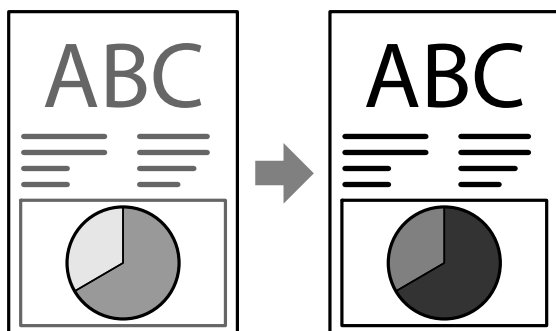
**Related Information**

➔ [“Printing from Smart Devices” on page 47](#)

---

## Tips: Adjusting Density or Color

You can adjust the density and color on the printer's control panel.



**Related Information**

➔ [“Menu” on page 20](#)

---

## Tips: Considering the Environment

- When you use the printer in places where the use of electronic devices are limited such as hospitals, please set the disable Wi-Fi setting on the control panel.

## Tips for Smart Use

- ❑ In quiet places such as libraries and open plan offices, please enable quiet mode. By slowing down the printer operation, the printer lowers the operations sounds.



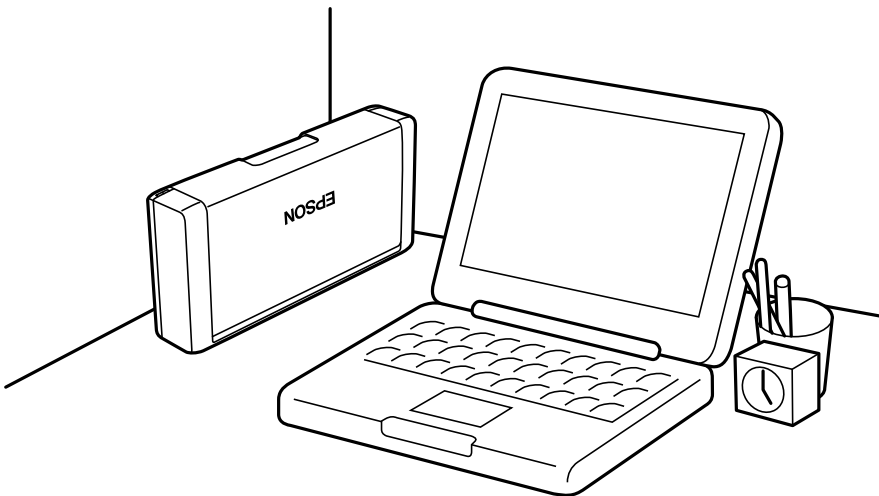
### Related Information

➔ [“Menu” on page 20](#)

---

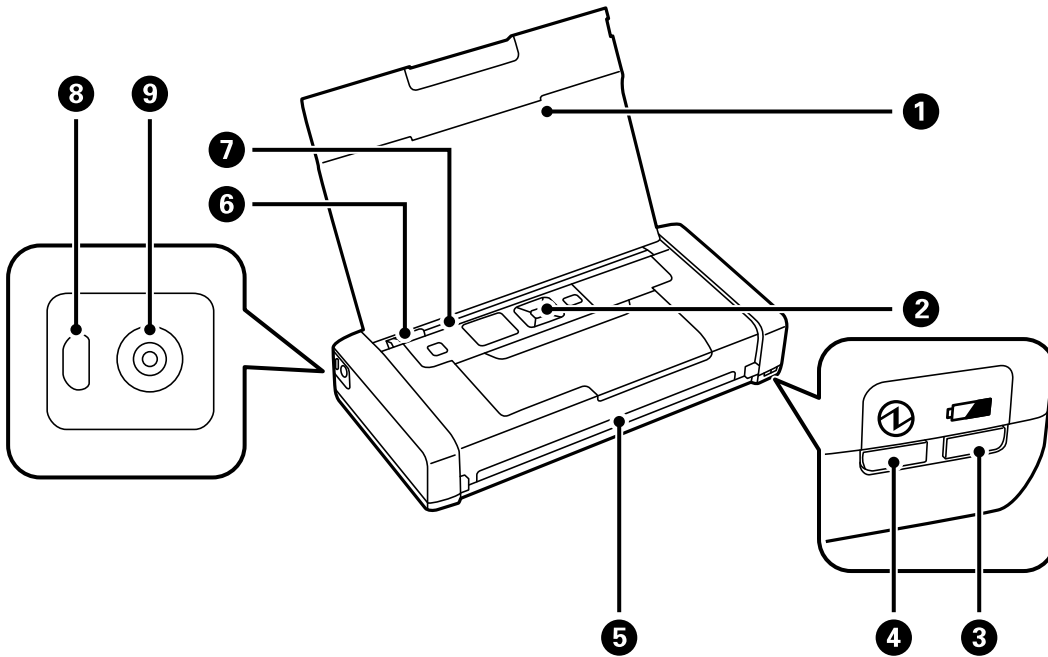
## Tips: Storing the Printer

When the printer is not in use, you can place it with the silver clip face up. Keep the printer away from direct sunlight and place it in a cool dry place.



# Printer Basics

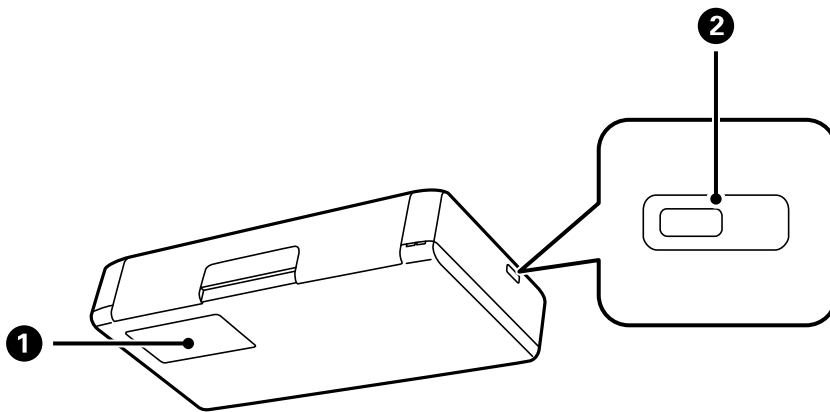
## Part Names and Functions



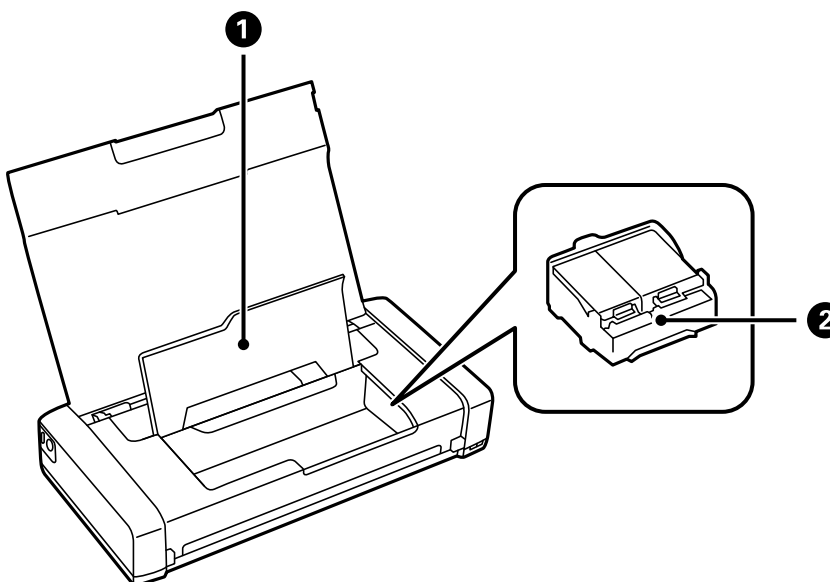
1	Printer cover	Supports loaded paper.
2	Control panel	Operates the printer.
3	Battery charging light	Turns on when the battery is charging, and turns off when the battery is charged.  Flashes when the printer cannot charge the battery because the temperature is too low (less than 5 °C) or too high (higher than 40 °C). Charge the battery within a range of 10 to 35°C (50 to 95°F).
4	Power light	Turns on when the power is on.  Flashes when the printer is operating or an error occurs.
5	Output slot	Ejects the printed paper.
6	Edge guide	Feeds the paper straight into the printer. Slide to the edge of the paper.
7	Rear paper feed	Loads paper.
8	Micro USB port	Connects a micro USB cable.
9	DC inlet	Connects the AC adapter.



**Printer Basics**



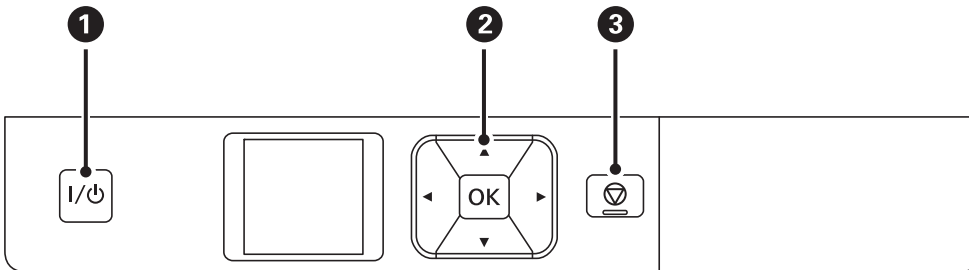
❶	Maintenance box cover	Open when replacing the maintenance box.
❷	Security lock slot	Insert a security lock for theft prevention.



❶	Inner cover	Open when replacing ink cartridges or removing jammed paper inside the printer.
❷	Ink cartridge holder	Install the ink cartridges. Ink is ejected from the print head nozzles underneath.

# Control Panel

## Buttons and Lights



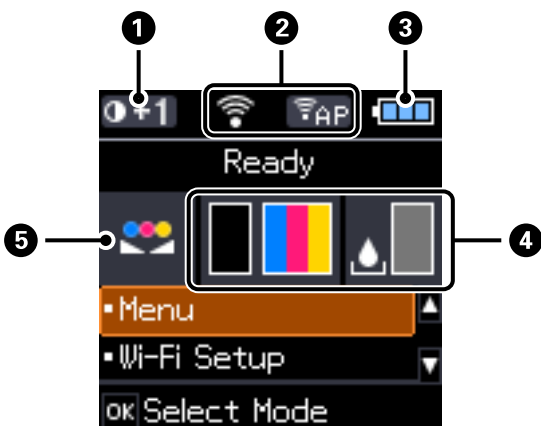
①	I/⏻	Turns the printer on or off. Unplug the power cord when the power light is off.
②	◀, ▲, ▶, ▼, OK	Press ◀, ▲, ▶, and ▼ to select menus. Press OK button to confirm your selection or run the selected feature.
③	⏻	Cancels the current operation or returns to the previous screen.

### Related Information

➔ [“Guide to the LCD Screen” on page 18](#)






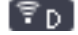










## Guide to the LCD Screen

The home screen is displayed when the printer is turned on. Status icons and the amount of ink remaining in the ink cartridges are displayed on the home screen.



①	0+1	Displays the print density that is selected in <b>Plain Paper Density Setting</b> .
---	-----	---

**Printer Basics**

<p>②</p>	<p>Icons that show the network status are displayed.</p>	
	<p>Indicates that there is no wireless (Wi-Fi) network available, or that the printer is connecting to a Wi-Fi network.</p>	
	<p>Indicates that a problem has occurred with the printer's wireless (Wi-Fi) network connection, or that the printer is searching for a Wi-Fi network connection.</p>	
	<p>Indicates that the printer is connected to a wireless (Wi-Fi) network. The more bars there are, the stronger the connection.</p>	
	<p>Indicates that Wi-Fi Direct mode is not available, or that the printer is connecting to Wi-Fi Direct mode.</p>	
	<p>Indicates that the printer is connected with Ad Hoc mode.</p>	
	<p>Indicates that the printer is connected with Wi-Fi Direct mode.</p>	
	<p>Indicates that the printer is connected with Simple AP mode.</p>	
<p>③</p>	<p>Icons that show the battery status are displayed.</p>	
	<p>Displays the amount of battery remaining.</p>	
	<p>Indicates that the battery is running low.</p>	
	<p>Indicates that the battery is too hot or too cold. Select <b>Menu &gt; Battery</b> to check the status.</p>	
	<p>Indicates that the battery is charging. When charging is complete, the icon changes to the icon that indicates the amount of battery remaining.</p>	
<p>④</p>	<p>Displays the approximate levels for the ink cartridges and the maintenance box.</p>	
	<p>Displays the approximate levels of the ink cartridges.</p>	
	<p>Displays the approximate service life of the maintenance box.</p>	
	<p>Turns on when the ink cartridges are low or the maintenance box is nearly full.</p>	
	<p>Turns on when ink cartridges are expended.</p>	
<p>⑤</p>		<p>Indicates that the color has been adjusted using <b>Color Adjustment</b> function.</p>

# Menu Options

## Menu

Menu	Settings and Explanations		
Battery	Check the status and amount of battery remaining. Press the ▼ button to make the settings for charging the battery.		
	Battery Settings	USB Power Supply via PC	Connect the printer to the computer using a micro USB cable so that you can charge the battery from the computer when the printer is turned off or printer is in the sleep mode.
Maintenance	Ink Cartridge Replacement	Replaces the ink cartridge.	
	Nozzle Check	Prints a pattern to check if the print head nozzles are clogged.	
	Head Cleaning	Cleans clogged nozzles in the print head.	
	Head Alignment	Adjusts the print head to improve print quality.	
	Paper Guide Cleaning	Use this feature to feed paper for cleaning when there are ink stains on the internal rollers or a paper feed problem has occurred.	
Plain Paper Density Setting	Increases the print density when the paper type is set to plain paper and the quality is set to standard. However, the print speed may be slower.		
Color Adjustment	<p>Make fine color adjustments when printing. Select <b>+1</b> to make the colors darker, and select <b>-1</b> to make the colors lighter.</p> <p>This setting is reset when the ink cartridge is removed.</p>		

## Printer Basics

Menu	Settings and Explanations		
Printer Setup	Paper Source Settings	Paper Setup	Select the paper size and paper type you loaded in the rear paper feed.
		Paper Setting Alert	Displays an error message when the paper size or type settings in <b>Paper Setup</b> and the print settings do not match.
		Paper Configuration	Automatically displays the paper settings screen when paper is loaded. AirPrint is not available when disabled.
	Power Off Timer	External Power	You can adjust the time before power management is applied. Any increase will affect the product's energy efficiency. Please consider the environment before making any change.
		Battery Power	
	Quiet Mode	Prints quietly when enabled. However, the print speed may be slower.	
	Language	Select the display language.	
	Sleep Timer	Select the time period before the printer enters sleep mode (energy saving mode) when no operations are performed. The LCD screen turns black when the set time passes.	
Others	Printer Swapping	If the printer driver for this printer is already installed on the computer, this setting prevents it from being installed again even if another printer with the same product name is connected using a USB cable.	
Network Settings	Print Status Sheet	Displays or prints the network settings and connection status.	
	Wi-Fi Setup	Wi-Fi Setup Wizard	See the <i>Network Guide</i> for more details.
		Push Button (WPS)	
		PIN Code (WPS)	
		Wi-Fi Auto Connect	
	Disable Wi-Fi	You may be able to resolve network problems by disabling the Wi-Fi settings or making the Wi-Fi settings again. See the <i>Network Guide</i> for more details.	
Wi-Fi Direct Setup	See the <i>Network Guide</i> for more details.		
Connection Check	Checks the status of the network connection and prints the network connection check report. If there are any problems with the connection, see the check report to solve the problem.		
Epson Connect	You can suspend or resume the Epson Connect or Google Cloud Print service, or cancel using the services (restore the default settings). See the Epson Connect portal website for more details. <a href="https://www.epsonconnect.com/">https://www.epsonconnect.com/</a> <a href="http://www.epsonconnect.eu">http://www.epsonconnect.eu</a> (Europe only)		
Google Cloud Print Services			
WF-100 Basic Driver	Installs the Epson Basic Driver that is embedded in the printer to the computer.		

## Printer Basics

Menu	Settings and Explanations
Restore Default Settings	Resets the selected settings to their defaults.

### Wi-Fi Setup

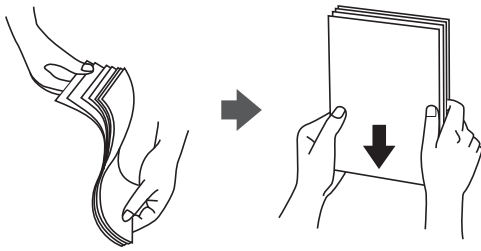
See the list of menus in **Network Settings** for more details.

# Loading Paper

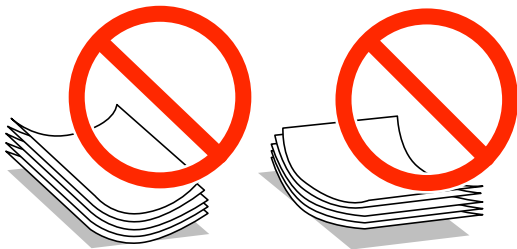
---

## Paper Handling Precautions

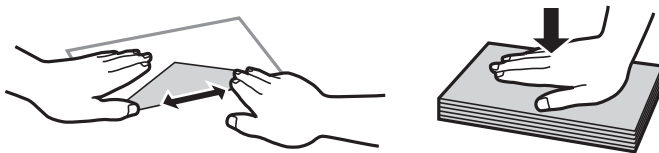
- ❑ Read the instruction sheets supplied with the paper.
- ❑ Fan and align the edges of the paper before loading. Do not fan or curl photo paper. Doing so may damage the printable side.



- ❑ If the paper is curled, flatten it or curl it slightly in the opposite direction before loading. Printing on curled paper may cause paper jams and smears on the printout.



- ❑ Do not use paper that is wavy, torn, cut, folded, damp, too thick, too thin, or paper that has stickers stuck to it. Using these types of paper causes paper jams and smears on the printout.
- ❑ Fan and align the edges of the envelopes before loading. When the stacked envelopes are puffed up with air, press them down to flatten them before loading.



- ❑ Do not use envelopes that are curled or folded. Using these envelopes causes paper jams and smears on the printout.
- ❑ Do not use envelopes with adhesive surfaces on the flaps or window envelopes.
- ❑ Avoid using envelopes that are too thin, as they may curl during printing.

### Related Information

- ➔ [“Printer Specifications” on page 93](#)

## Available Paper and Capacities

Epson recommends using genuine Epson paper to ensure high-quality printouts.

### Genuine Epson Paper

Media Name	Size	Loading Capacity (Sheets)	Manual 2-Sided Printing	Borderless Printing
Epson Bright White Ink Jet Paper	A4	20	✓	-
Epson Ultra Glossy Photo Paper	A4, 13×18 cm (5×7 in.)	5*	-	-
	10×15 cm (4×6 in.)	5*	-	✓
Epson Premium Glossy Photo Paper	A4, 13×18 cm (5×7 in.)	5*	-	-
	16:9 wide size (102×181 mm), 10×15 cm (4×6 in.)	5*	-	✓
Epson Premium Semigloss Photo Paper	A4	5*	-	-
	10×15 cm (4×6 in.)	5*	-	✓
Epson Photo Paper Glossy	A4, 13×18 cm (5×7 in.)	5*	-	-
	10×15 cm (4×6 in.)	5*	-	✓
Epson Matte Paper-Heavyweight	A4	1	-	-
Epson Photo Quality Ink Jet Paper	A4	20	-	-

\* Load one sheet of paper at a time if the paper does not feed correctly or if the printout has uneven colors or smears.

**Note:**

*The availability of paper varies by location. For the latest information on paper available in your area, contact Epson support.*

### Commercially Available Paper

Media Name	Size	Loading Capacity (Sheets or Envelopes)	Manual 2-Sided Printing	Borderless Printing
Plain paper	Letter, A4, B5, A5, A6	20	✓	-
Copy paper	Legal, User Defined	1	✓	
Envelope	Envelope #10, Envelope DL, Envelope C6	1	-	-



## Loading Paper

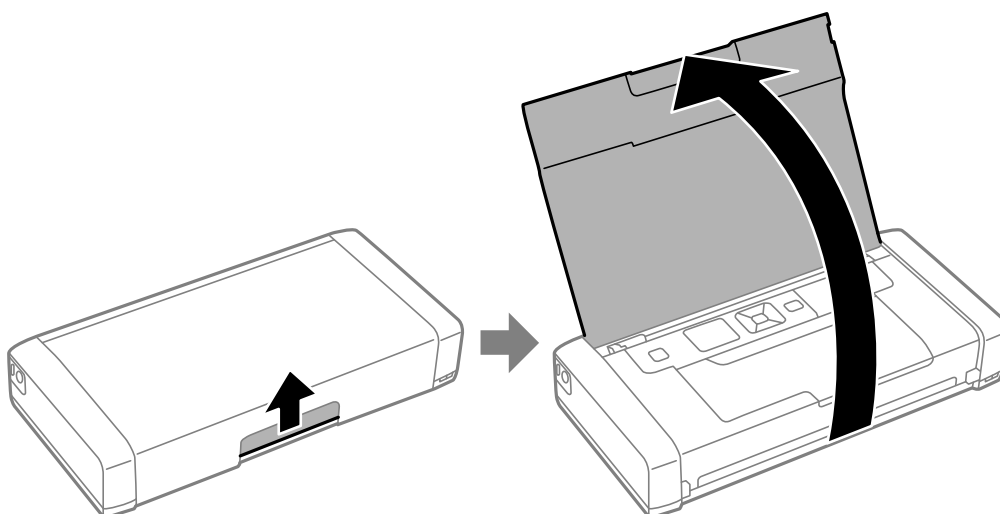
### List of Paper Types

To obtain optimum printing results, select the paper type that suits the paper.

Media Name	Media Type		
	Control Panel	Printer Driver	Epson Basic Driver
Copy paper, Plain paper Epson Bright White Ink Jet Paper	plain papers	plain papers	Plain paper
Epson Ultra Glossy Photo Paper	Ultra Glossy	Epson Ultra Glossy	-
Epson Premium Glossy Photo Paper	Prem. Glossy	Epson Premium Glossy	Epson Premium Glossy
Epson Premium Semigloss Photo Paper	Prem. Semigloss	Epson Premium Semigloss	-
Epson Photo Paper Glossy	Glossy	Photo Paper Glossy	-
Epson Matte Paper- Heavyweight Epson Photo Quality Ink Jet Paper	Matte	Epson Matte	Epson Matte
Envelope	Envelope	Envelope	-

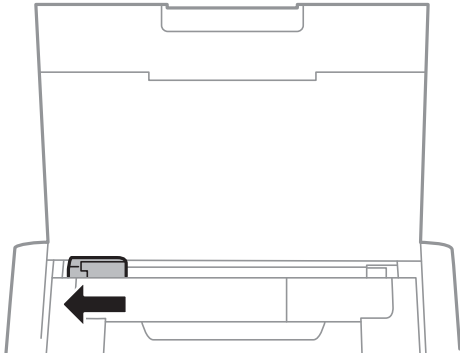
### Loading Paper in the Rear Paper Feed

1. Lift up the part at the front of the printer to open the printer cover.

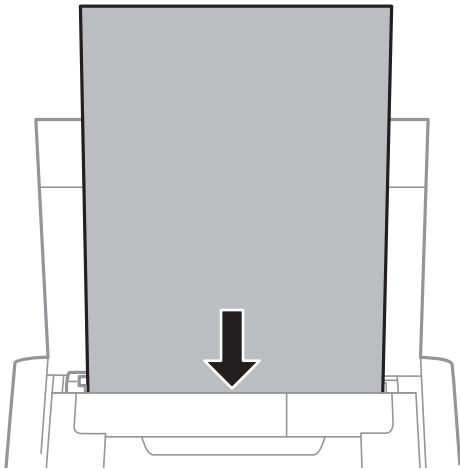


## Loading Paper

- Slide the edge guide.



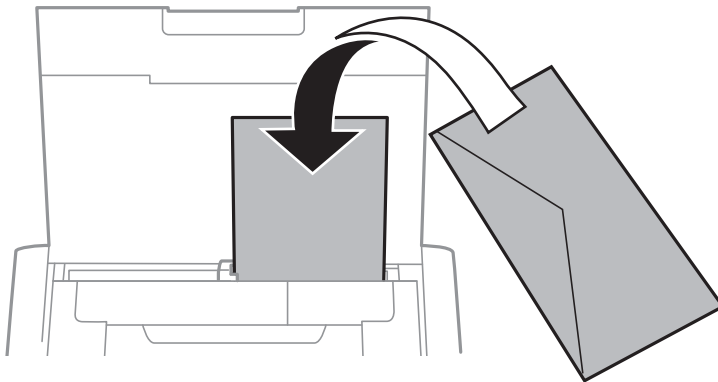
- Load paper vertically along the right side of the rear paper feed with the printable side facing up.



**Important:**

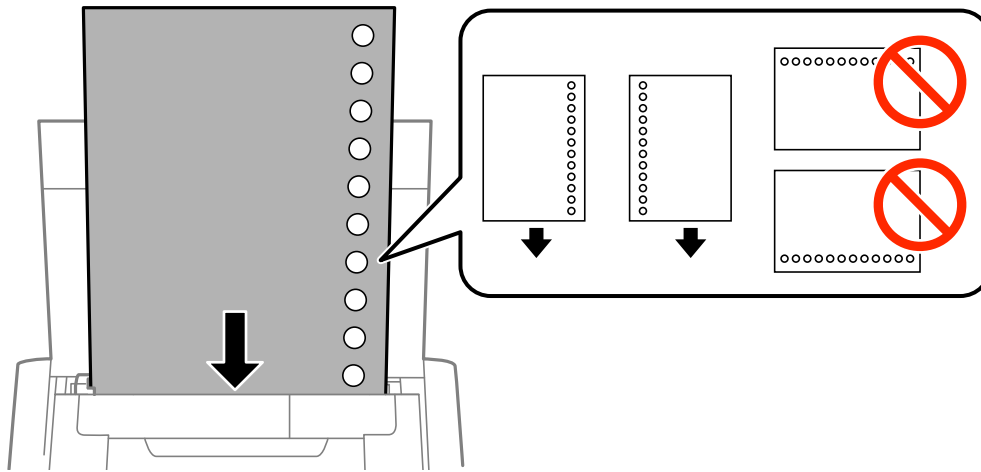
*Do not load more than the maximum number of sheets specified for the paper.*

- ❑ Envelopes



## Loading Paper

- ❑ Pre-punched paper

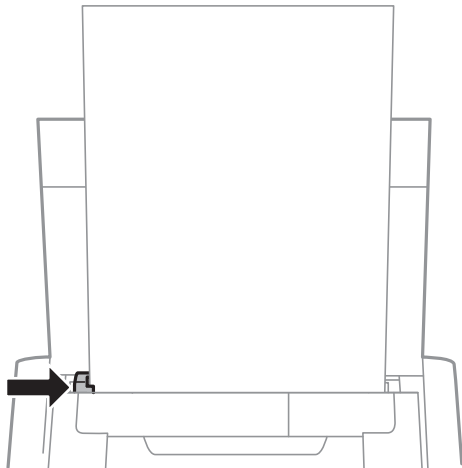


**Note:**

You can use pre-punched paper under the following conditions.

- ❑ Loading capacity: One sheet
- ❑ Available size: A4, B5, A5, A6, Letter, Legal
- ❑ Binding holes: Do not load paper with the binding holes at the top or the bottom.  
Adjust the print position of your file to avoid printing over the holes.

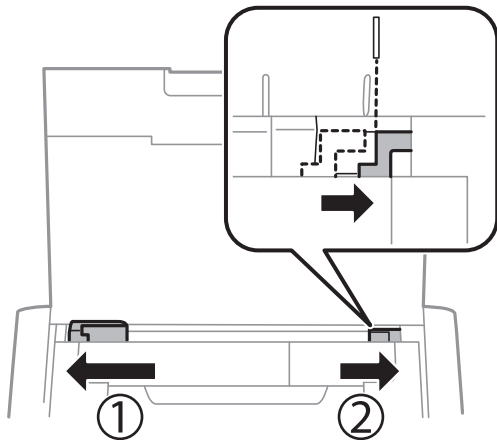
4. Slide the edge guide to the edge of the paper.



## Loading Paper

**Note:**

If you cannot move the edge guide, the part on the right side may not be in the correct position. Slide the edge guide to the far left, slide the part on the right side to the far right, and then try again.



5. On the control panel, set the size and type of the paper you loaded in the rear paper feed.

**Note:**

- You can also display the paper size and paper type settings screen by selecting **Menu > Printer Setup > Paper Source Settings > Paper Setup**.
- Return the remaining paper to its package. If you leave it in the printer, the paper may curl or the print quality may decline.

**Related Information**

- ➔ [“Paper Handling Precautions” on page 23](#)
- ➔ [“Available Paper and Capacities” on page 24](#)

# Printing

**!** *Important:*

*Do not disconnect the AC adapter while the printer is operating. Printing may slow down, and a paper jam may occur.*

---

## Printing from a Computer

### Using the Epson Basic Driver (for Windows Only)

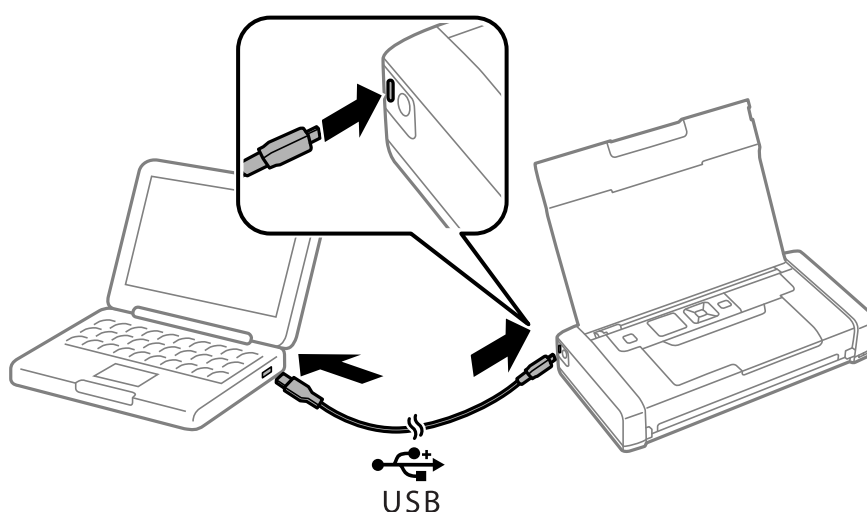
When this printer's driver is not installed on the computer, you can install the Epson basic driver from the printer. However, because the Epson basic driver only comes with limited features, we recommend that you install this printer's driver.

**Note:**

*For Windows XP, Service Pack 3 or later is supported.*

### Installing the Epson Basic Driver (for Windows Only)

1. Disconnect the printer from the computer.
2. Select **Menu > WF-100 Basic Driver** on the control panel. Press the OK button to start installing.
3. When the on-screen instructions are displayed, connect the printer and the computer with a micro USB cable, and then press the OK button on the control panel.

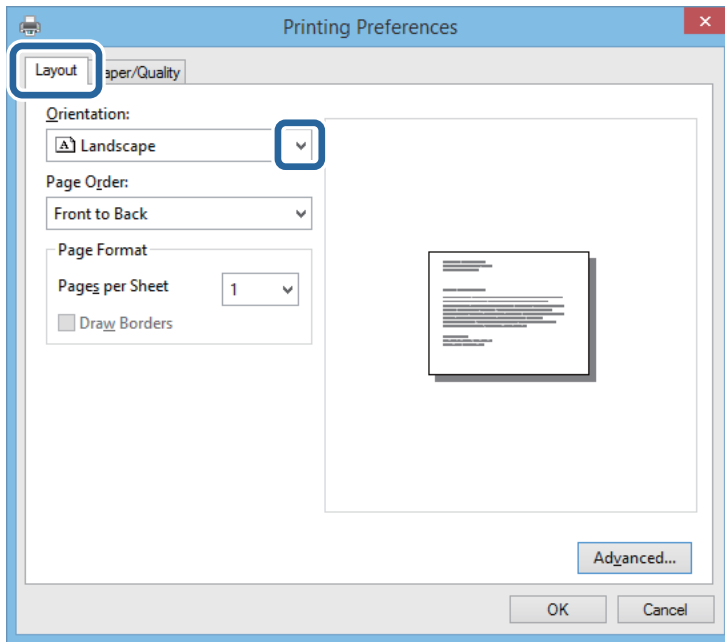


4. In **Computer** or **My Computer** on the computer, double-click **EPSON > SETUP**.
5. Follow the on-screen instructions to complete the installation.

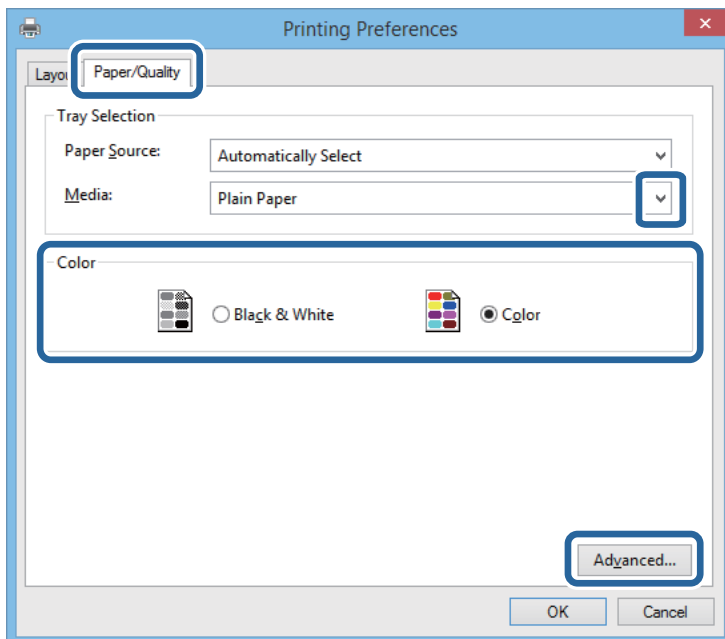
## Printing

### Printing Basics - Epson Basic Driver ( for Windows Only)

1. Load paper in the printer.
2. Open the file you want to print.
3. Access the printer driver window.
4. Select the orientation you set in the application as the **Orientation** on the **Layout** tab.



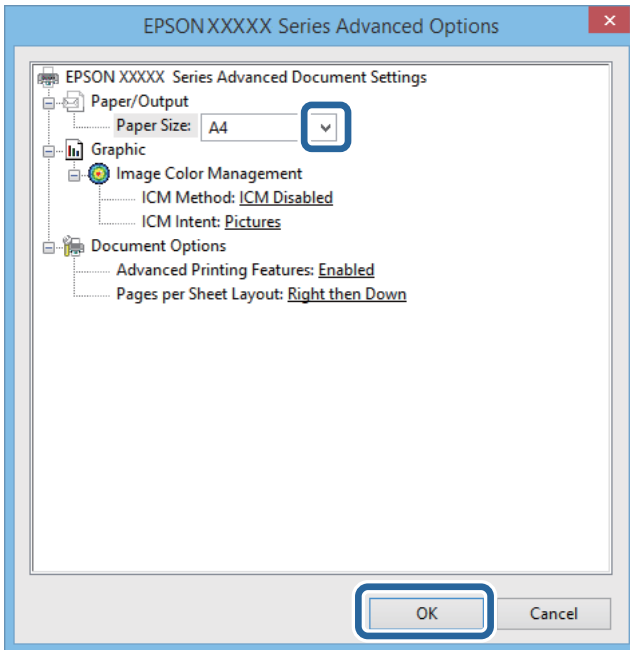
5. Make the following settings on the **Paper/Quality** tab.



- ❑ Media: Select the type of paper you loaded.

## Printing

- Color: Select to print in full color or monochrome
- 6. Click **Advanced**, make the following settings, and then click **OK**.



Paper Size: Select the paper size you set in the application.

- 7. Click **OK**.
- 8. Click **Print**.

### Related Information

➔ [“Installing the Epson Basic Driver \(for Windows Only\)” on page 29](#)

## Printing Basics - Windows

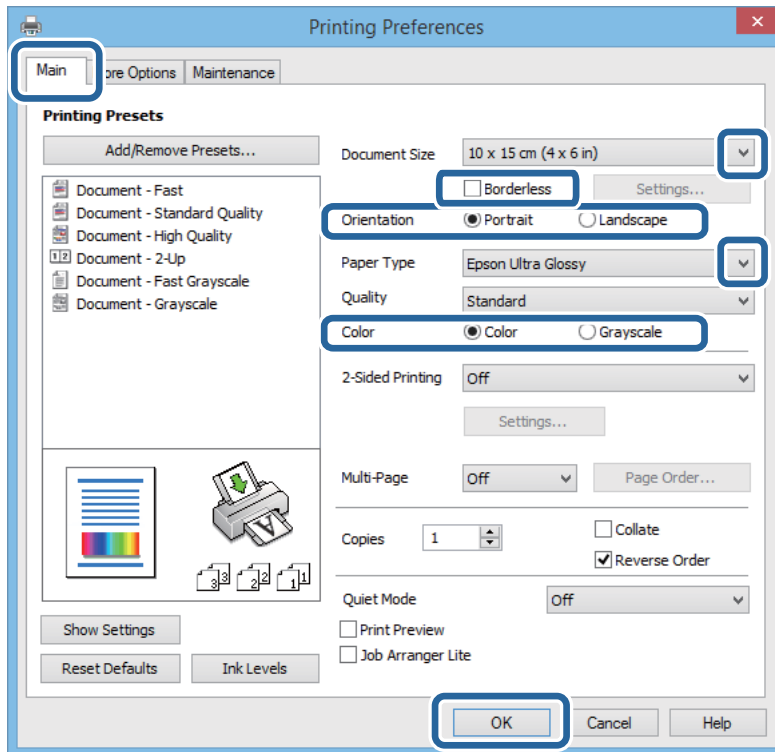
### Note:

- See the online help for explanations of the setting items. Right-click an item, and then click **Help**.
- Operations may differ depending on the application. See the application's help for details.

1. Load paper in the printer.
2. Open the file you want to print.
3. Select **Print** or **Print Setup** from the **File** menu.
4. Select your printer.

## Printing

5. Select **Preferences** or **Properties** to access the printer driver window.



6. Make the following settings.
  - Document Size: Select the paper size you set in the application.
  - Borderless: Select to print with no margins around the image.
  - Orientation: Select the orientation you set in the application.
  - Paper Type: Select the type of paper you loaded.
  - Color: Select **Grayscale** when you want to print in black or shades of gray.

**Note:**

When printing on envelopes, select *Landscape* as the **Orientation** setting.

7. Click **OK** to close the printer driver window.
8. Click **Print**.

### Related Information

- ➔ [“Available Paper and Capacities” on page 24](#)
- ➔ [“Loading Paper in the Rear Paper Feed” on page 25](#)
- ➔ [“List of Paper Types” on page 25](#)

## Printing Basics - Mac OS X

**Note:**

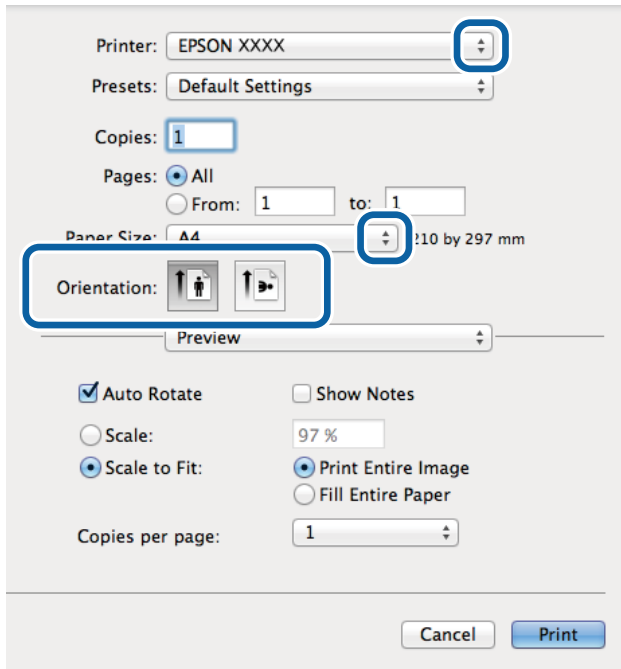
Operations differ depending on the application. See the application's help for details.



## Printing

1. Load paper in the printer.
2. Open the file you want to print.
3. Select **Print** from the **File** menu or another command to access the print dialog.

If necessary, click **Show Details** or ▼ to expand the print window.



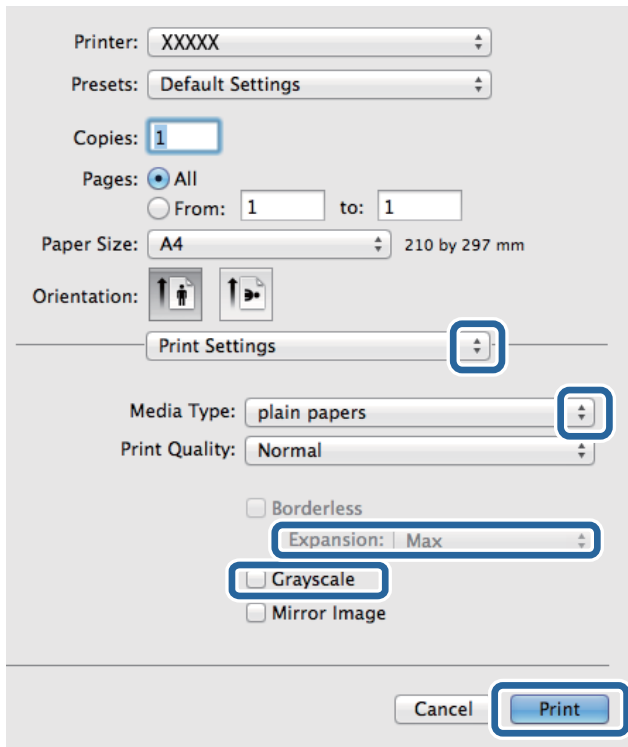
4. Make the following settings.
  - Printer:** Select your printer.
  - Preset:** Select when you want to use the registered settings.
  - Paper Size:** Select the paper size you set in the application.  
When printing with no margins, select a "borderless" paper size.
  - Orientation:** Select the orientation you set in the application.

**Note:**

When printing on envelopes, select landscape orientation


## Printing

5. Select **Print Settings** from the pop-up menu.



**Note:**

On Mac OS X v10.8.x or later, if the **Print Settings** menu is not displayed, the Epson printer driver has not been installed correctly.

Select **System Preferences** from the  menu > **Printers & Scanners** (or **Print & Scan**, **Print & Fax**), remove the printer, and then add the printer again. See the following to add a printer.

<http://epson.sn>

6. Make the following settings.

- Media Type: Select the type of paper you loaded.
- Expansion: Available when selecting a borderless paper size.  
In borderless printing, the print data is enlarged slightly more than the paper size so that no margins are printed around the edges of the paper. Select the amount of enlargement.
- Grayscale: Select to print in black or shades of gray.

7. Click **Print**.

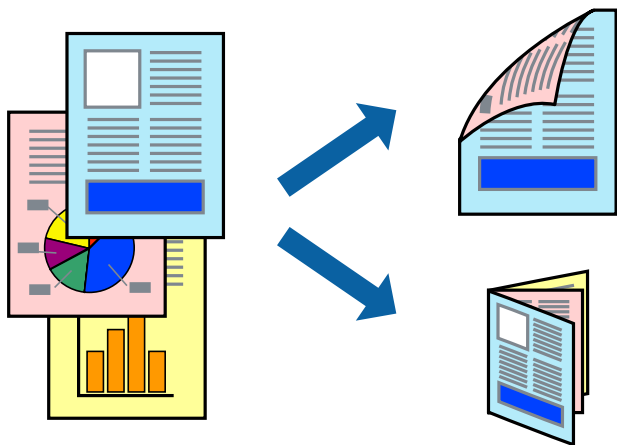
### Related Information

- ➔ “Available Paper and Capacities” on page 24
- ➔ “Loading Paper in the Rear Paper Feed” on page 25
- ➔ “List of Paper Types” on page 25

## Printing

### Printing on 2-Sides (for Windows only)

The printer driver prints automatically separating even pages and odd pages. When the printer has finished printing the odd pages, flip the paper over following the instructions to print the even pages. You can also print a booklet that can be created by folding the printout.



**Note:**

- This feature is not available for borderless printing.
- If you do not use paper that is suitable for 2-sided printing, the print quality may decline and paper jams may occur.
- Depending on the paper and the data, ink may bleed through to the other side of the paper.
- If **EPSON Status Monitor 3** is disabled, access the printer driver, click **Extended Settings** on the **Maintenance** tab, and then select **Enable EPSON Status Monitor 3**.
- 2-sided printing may not be available when the printer is accessed over a network or is used as a shared printer.

1. Load paper in the printer.
2. Open the file you want to print.
3. Access the printer driver window.
4. Select **Manual (Long-edge binding)** or **Manual (Short-edge binding)** from **2-Sided Printing** on the **Main** tab.
5. Click **Settings**, make the appropriate settings, and then click **OK**.

**Note:**

To print as a booklet, select **Booklet**.

6. Set the other items on the **Main** and **More Options** tabs as necessary, and then click **OK**.
7. Click **Print**.

When the first side has finished printing, a pop-up window is displayed on the computer. Follow the on-screen instructions.

#### Related Information

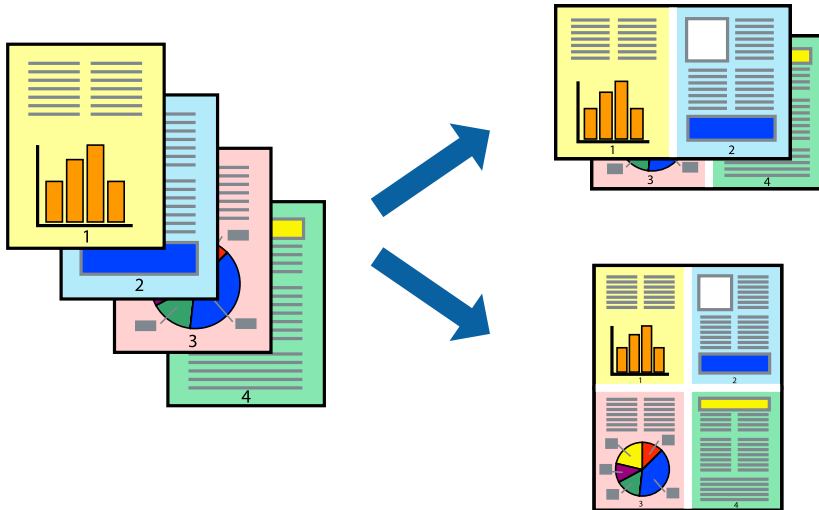
- ➔ [“Available Paper and Capacities” on page 24](#)
- ➔ [“Loading Paper in the Rear Paper Feed” on page 25](#)

## Printing

➔ [“Printing Basics - Windows” on page 31](#)

### Printing Several Pages on One Sheet

You can print two or four pages of data on a single sheet of paper.



### Printing Several Pages on One Sheet - Windows

**Note:**

*This feature is not available for borderless printing.*

1. Load paper in the printer.
2. Open the file you want to print.
3. Access the printer driver window.
4. Select **2-Up** or **4-Up** as the **Multi-Page** setting on the **Main** tab.
5. Click **Page Order**, make the appropriate settings, and then click **OK** to close the window.
6. Set the other items on the **Main** and **More Options** tabs as necessary, and then click **OK**.
7. Click **Print**.

#### Related Information

- ➔ [“Loading Paper in the Rear Paper Feed” on page 25](#)
- ➔ [“Printing Basics - Windows” on page 31](#)

### Printing Several Pages on One Sheet - Mac OS X

1. Load paper in the printer.

## Printing

2. Open the file you want to print.
3. Access the print dialog.
4. Select **Layout** from the pop-up menu.
5. Set the number of pages in **Pages per Sheet**, the **Layout Direction** (page order), and **Border**.
6. Set the other items as necessary.
7. Click **Print**.

### Related Information

- ➔ [“Loading Paper in the Rear Paper Feed” on page 25](#)
- ➔ [“Printing Basics - Mac OS X” on page 32](#)

## Printing to Fit the Paper Size

You can print to fit the paper size you loaded in the printer.



## Printing to Fit the Paper Size - Windows

### Note:

*This feature is not available for borderless printing.*

1. Load paper in the printer.
2. Open the file you want to print.
3. Access the printer driver window.
4. Make the following settings on the **More Options** tab.
  - Document Size: Select the paper size you set in the application.
  - Output Paper: Select the paper size you loaded in the printer.

**Fit to Page** is selected automatically.

## Printing

**Note:**

If you want to print a reduced image at the center of the page, select **Center**.

5. Set the other items on the **Main** and **More Options** tabs as necessary, and then click **OK**.
6. Click **Print**.

### Related Information

- ➔ [“Loading Paper in the Rear Paper Feed” on page 25](#)
- ➔ [“Printing Basics - Windows” on page 31](#)

## Printing to Fit the Paper Size - Mac OS X

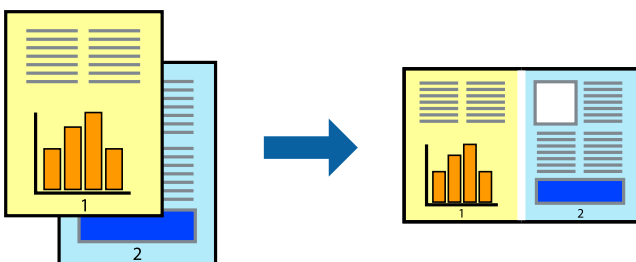
1. Load paper in the printer.
2. Open the file you want to print.
3. Access the print dialog.
4. Select the size of the paper you set in the application as the **Paper Size** setting.
5. Select **Paper Handling** from the pop-up menu.
6. Select **Scale to fit paper size**.
7. Select the paper size you loaded in the printer as the **Destination Paper Size** setting.
8. Set the other items as necessary.
9. Click **Print**.

### Related Information

- ➔ [“Loading Paper in the Rear Paper Feed” on page 25](#)
- ➔ [“Printing Basics - Mac OS X” on page 32](#)

## Printing Multiple Files Together (for Windows Only)

**Job Arranger Lite** allows you to combine several files created by different applications and print them as a single print job. You can specify the print settings for combined files, such as layout, print order, and orientation.



## Printing

### Note:

To open a **Print Project** saved in **Job Arranger Lite**, click **Job Arranger Lite** on the printer driver's **Maintenance** tab. Next, select **Open** from the **File** menu to select the file. The extension of the saved files is ".ecl".

1. Load paper in the printer.
2. Open the file you want to print.
3. Access the printer driver window.
4. Select **Job Arranger Lite** on the **Main** tab.
5. Click **OK** to close the printer driver window.
6. Click **Print**.

The **Job Arranger Lite** window is displayed and the print job is added to the **Print Project**.

7. With the **Job Arranger Lite** window opened, open the file that you want to combine with the current file, and then repeat steps 3 to 6.

### Note:

If you close the **Job Arranger Lite** window, the unsaved **Print Project** is deleted. To print later, select **Save** from the **File** menu.

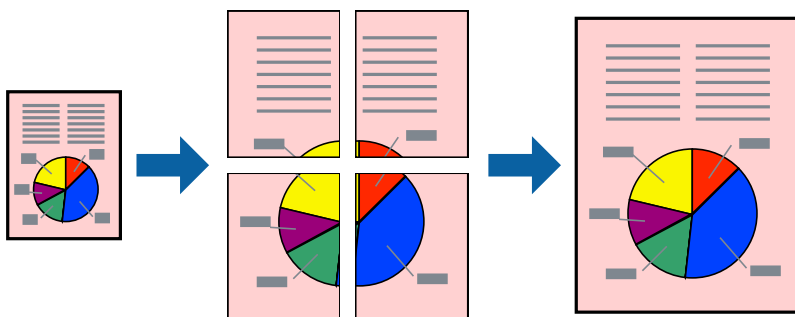
8. Select the **Layout** and **Edit** menus in **Job Arranger Lite** to edit the **Print Project** as necessary.
9. Select **Print** from the **File** menu.

### Related Information

- ➔ [“Loading Paper in the Rear Paper Feed” on page 25](#)
- ➔ [“Printing Basics - Windows” on page 31](#)

## Enlarged Printing and Making Posters (for Windows Only)

You can print one image on multiple sheets of paper to create a larger poster. You can print alignment marks that help you stick the sheets together.



### Note:

This feature is not available for borderless printing.

1. Load paper in the printer.

## Printing

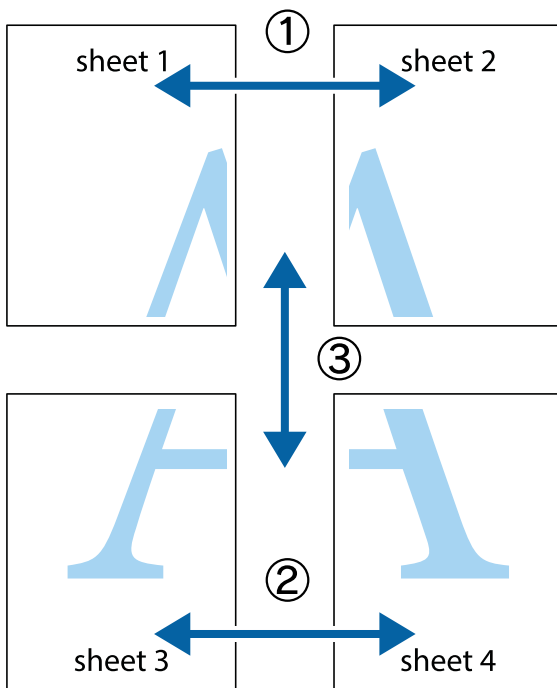
2. Open the file you want to print.
3. Access the printer driver window.
4. Select **2x1 Poster**, **2x2 Poster**, **3x3 Poster**, or **4x4 Poster** from **Multi-Page** on the **Main** tab.
5. Click **Settings**, make the appropriate settings, and then click **OK**.
6. Set the other items on the **Main** and **More Options** tabs as necessary, and then click **OK**.
7. Click **Print**.

### Related Information

- ➔ [“Loading Paper in the Rear Paper Feed” on page 25](#)
- ➔ [“Printing Basics - Windows” on page 31](#)

## Making Posters Using Overlapping Alignment Marks

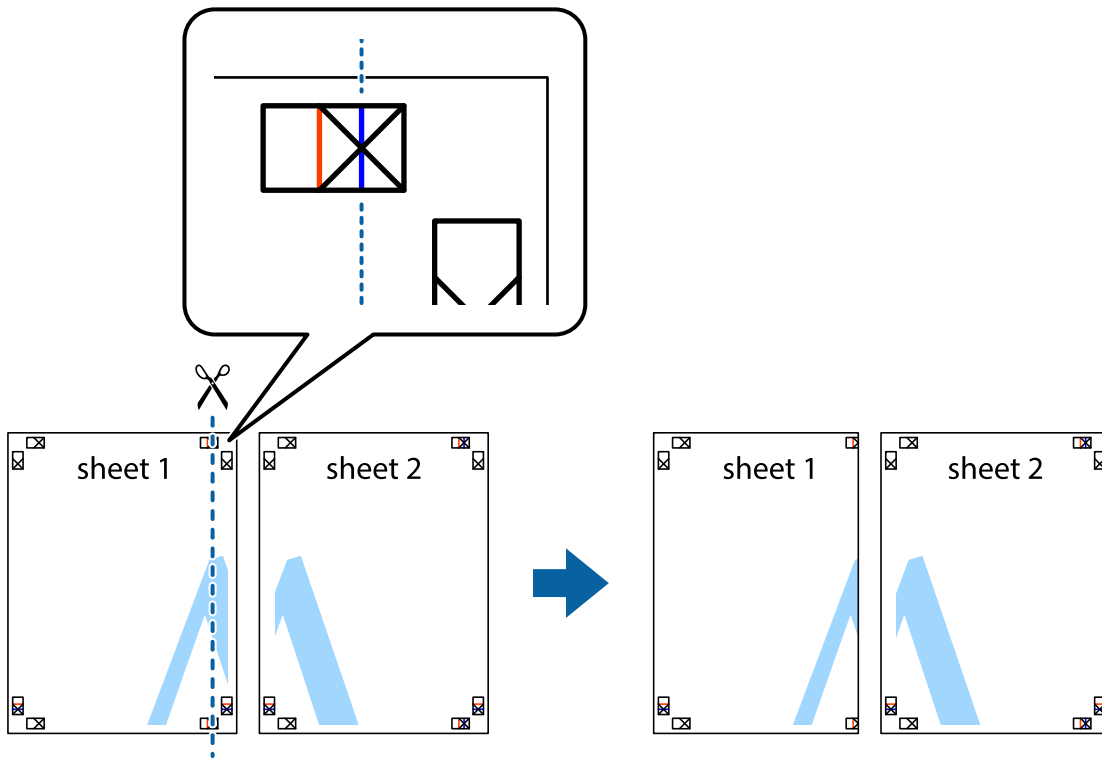
Here is an example of how to make a poster when **2x2 Poster** is selected, and **Overlapping Alignment Marks** is selected in **Print Cutting Guides**.



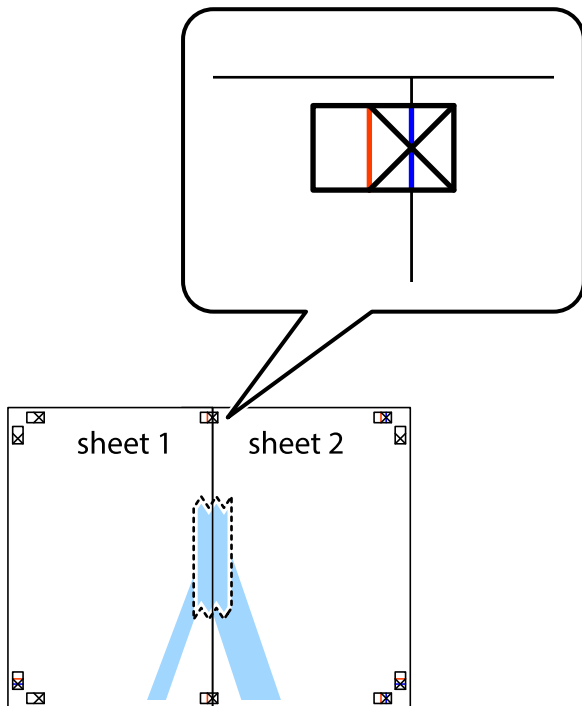


### Printing

1. Prepare Sheet 1 and Sheet 2. Cut off the margins of Sheet 1 along the vertical blue line through the center of the top and bottom cross marks.

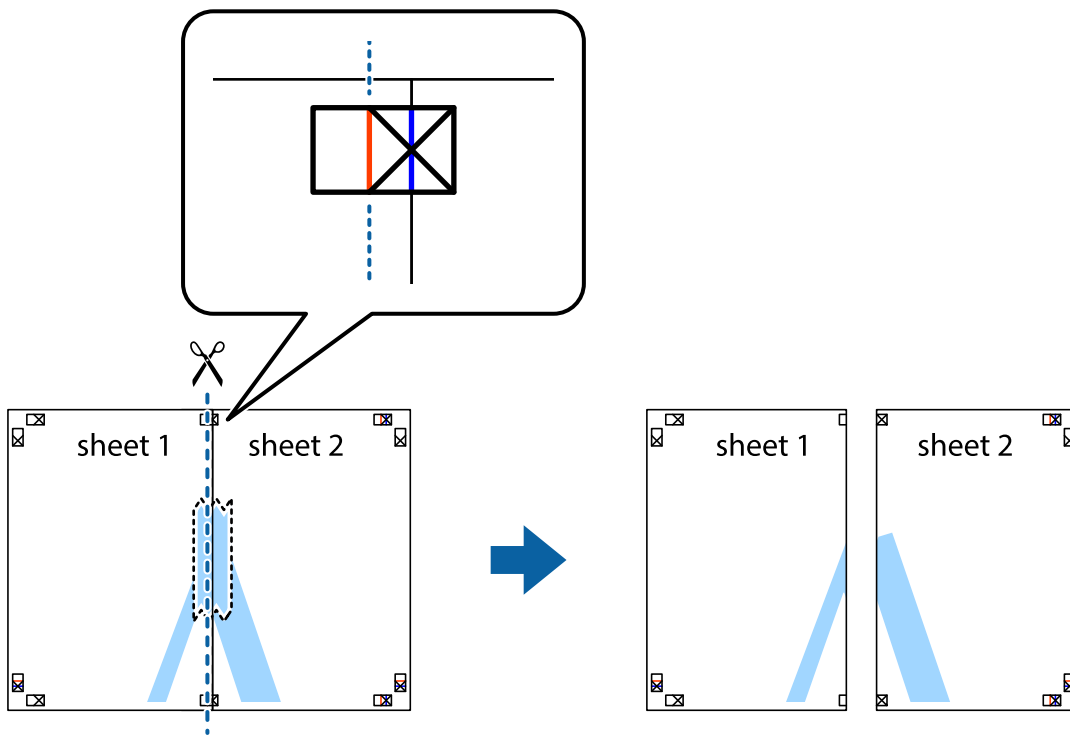


2. Place the edge of Sheet 1 on top of Sheet 2 and align the cross marks, then temporarily tape the two sheets together from the back.

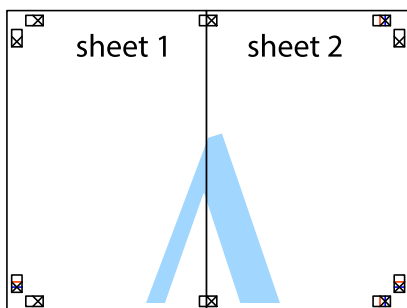


### Printing

- Cut the taped sheets in two along the vertical red line through the alignment markers (this time, the line to the left of the cross marks).



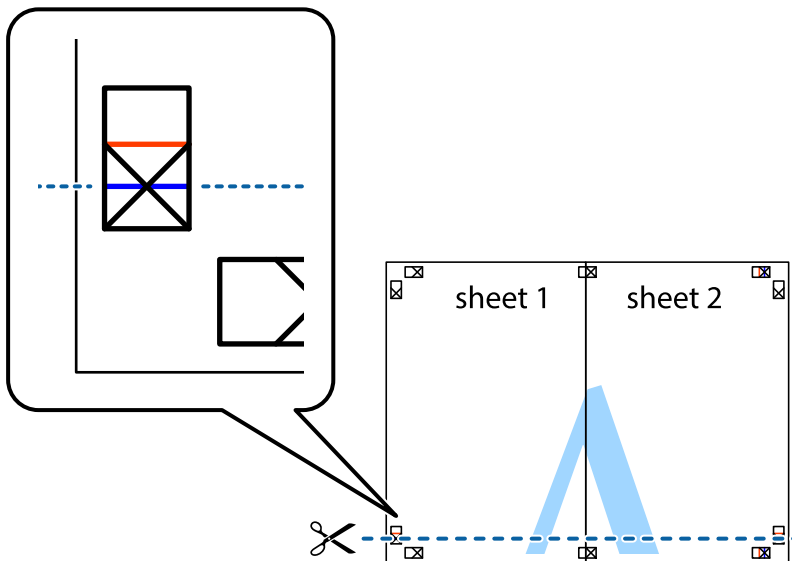
- Tape the sheets together from the back.



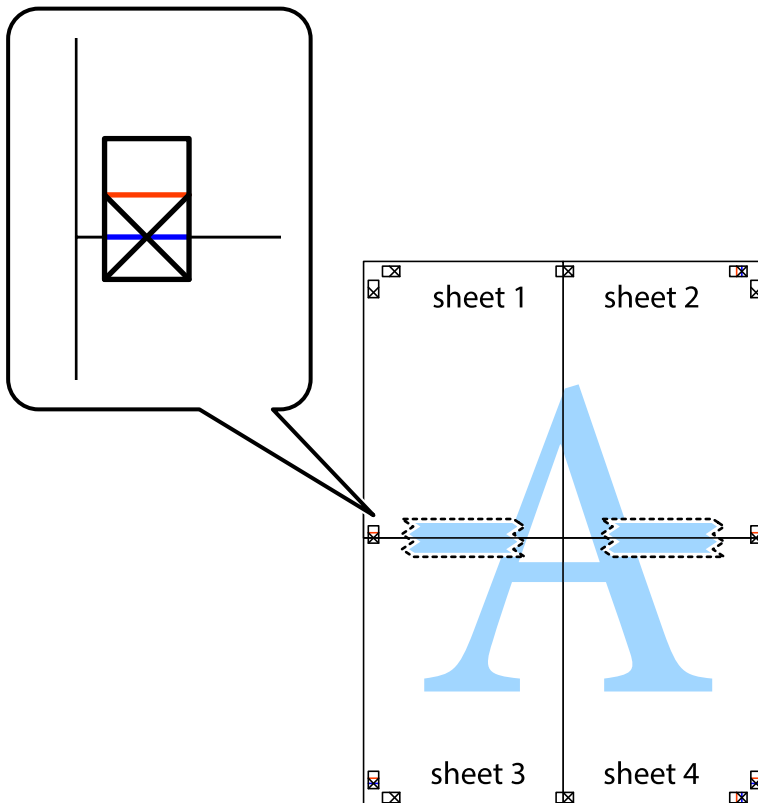
- Repeat steps 1 to 4 to tape Sheet 3 and Sheet 4 together.

### Printing

6. Cut off the margins of Sheet 1 and Sheet 2 along the horizontal blue line through the center of the left and right side cross marks.



7. Place the edge of Sheet 1 and Sheet 2 on top of Sheet 3 and Sheet 4 and align the cross marks, and then temporarily tape them together from the back.

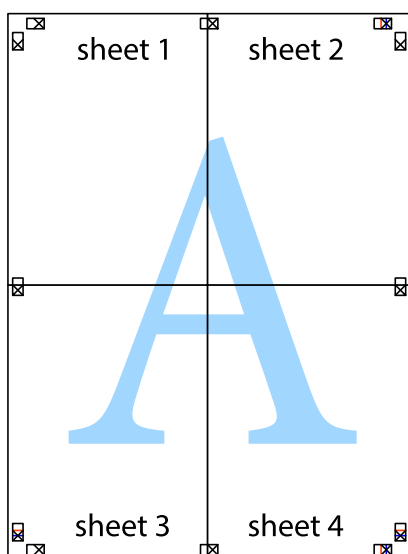


### Printing

- Cut the taped sheets in two along the horizontal red line through the alignment markers (this time, the line above the cross marks).

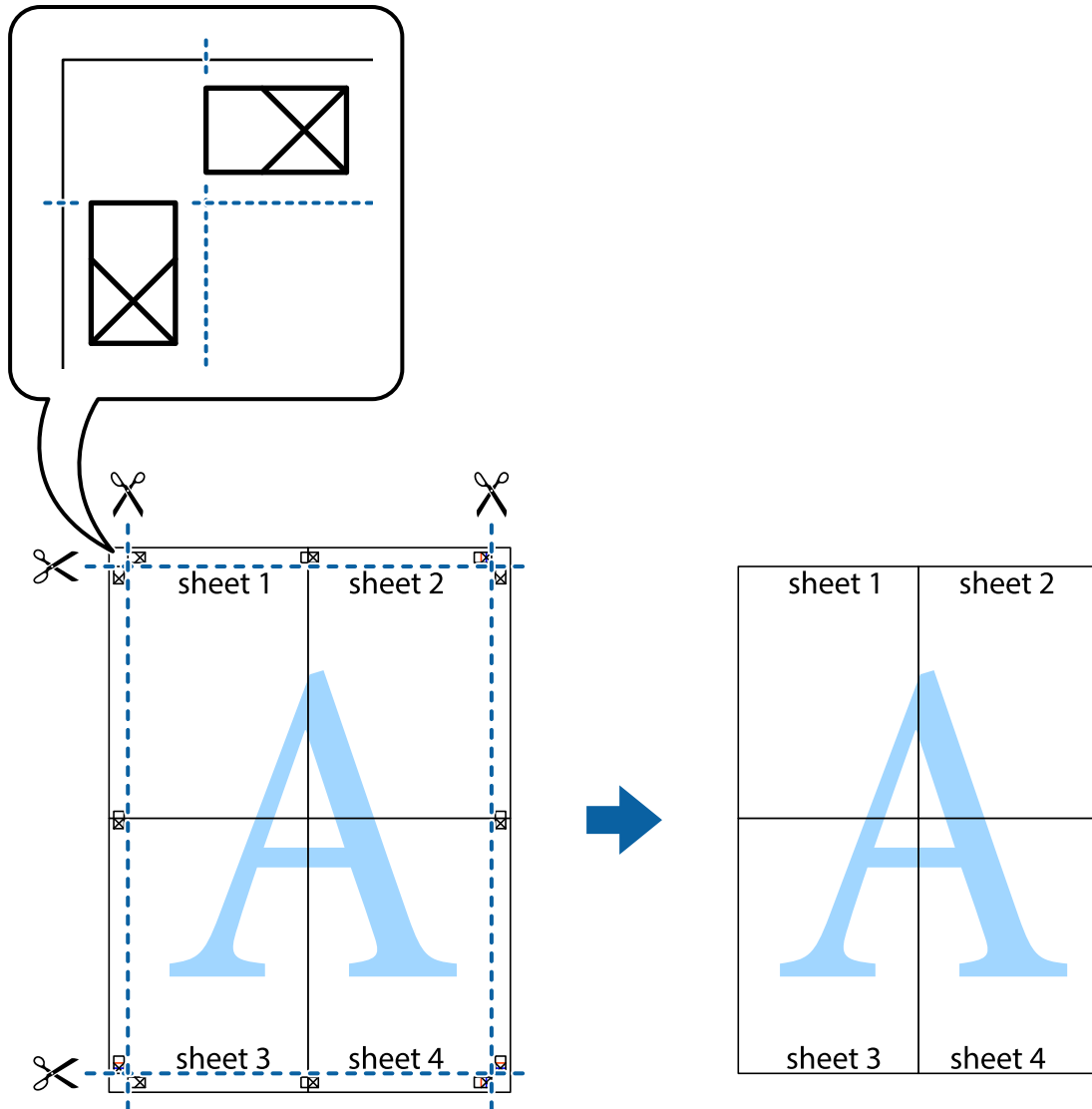


- Tape the sheets together from the back.



## Printing

10. Cut off the remaining margins along the outer guide.



## Printing Using Advanced Features

This section introduces a variety of additional layout and printing features available on the printer driver.

### Related Information

- ➔ [“Windows Printer Driver” on page 74](#)
- ➔ [“Mac OS X Printer Driver” on page 75](#)

## Adding a Printing Preset

If you create your own preset of frequently used print settings on the printer driver, you can print easily by selecting the preset from the list.

## Printing

### Windows

To add your own preset, set items such as the **Document Size** and **Paper Type** on the **Main** or **More Options** tab, and then click **Add/Remove Presets** in **Printing Presets**.

### Mac OS X

Access the print dialog. To add your own preset, set items such as the **Paper Size** and **Media Type**, and then save the current settings as the preset in the **Presets** setting.

## Printing a Reduced or Enlarged Document

You can reduce or enlarge the size of a document by a specific percentage.

### Windows

**Note:**

*This feature is not available for borderless printing.*

Set the **Document Size** on the **More Options** tab. Select **Reduce/Enlarge Document**, **Zoom to**, and then enter a percentage.

### Mac OS X

Select **Page Setup** from the **File** menu. Select the settings for **Format For** and **Paper Size**, and then enter a percentage in **Scale**. Close the window, and then print following the basic printing instructions.

### Related Information

➔ [“Printing Basics - Mac OS X” on page 32](#)

## Adjusting the Print Color

You can adjust the colors used in the print job.

**PhotoEnhance** produces sharper images and more vivid colors by automatically adjusting the contrast, saturation, and brightness of the original image data.

**Note:**

*These adjustments are not applied to the original data.*

***PhotoEnhance** adjusts the color by analyzing the location of the subject. Therefore, if you have changed the location of the subject by reducing, enlarging, cropping, or rotating the image, the color may change unexpectedly. Selecting the borderless setting also changes the location of the subject resulting in changes in color. If the image is out of focus, the tone may be unnatural. If the color is changed or becomes unnatural, print in a mode other than **PhotoEnhance**.*

### Windows

Select **Custom** as the **Color Correction** setting on the **More Options** tab. Click **Advanced**, select the **Color Management** setting, and then make appropriate settings.

### Mac OS X

Access the print dialog. Select **Color Matching** from the pop-up menu, and then select **EPSON Color Controls**. Select **Color Options** from the pop-up menu, and then select one of the available options. Click the arrow next to **Advanced Settings** and make the appropriate settings.

## Printing

### Printing a Watermark (for Windows Only)

You can print a watermark such as "Confidential" on your printouts. You can also add your own watermark.

**Note:**

*This feature is not available with borderless printing.*

Click **Watermark Features** on the **More Options** tab, and then select a watermark. Click **Settings** to change details such as the color and position of the watermark.

### Printing a Header and Footer (for Windows Only)

You can print information such as a user name and printing date as headers or footers.

Click **Watermark Features** in the **More Options** tab, and then select **Header/Footer**. Click **Settings** and select necessary items from the drop-down list.

---

## Printing from Smart Devices

### Using Epson iPrint

Epson iPrint is an application that allows you to print photos, documents, and Web pages from a smart device such as a smartphone or tablet. You can use either local print, printing from a smart device that is connected to the same wireless network as your printer, or remote print, printing externally over the internet. To use remote print, register your printer in the Epson Connect service.



You can install Epson iPrint on your smart device from the following URL or QR code.

<http://ipr.to/c>

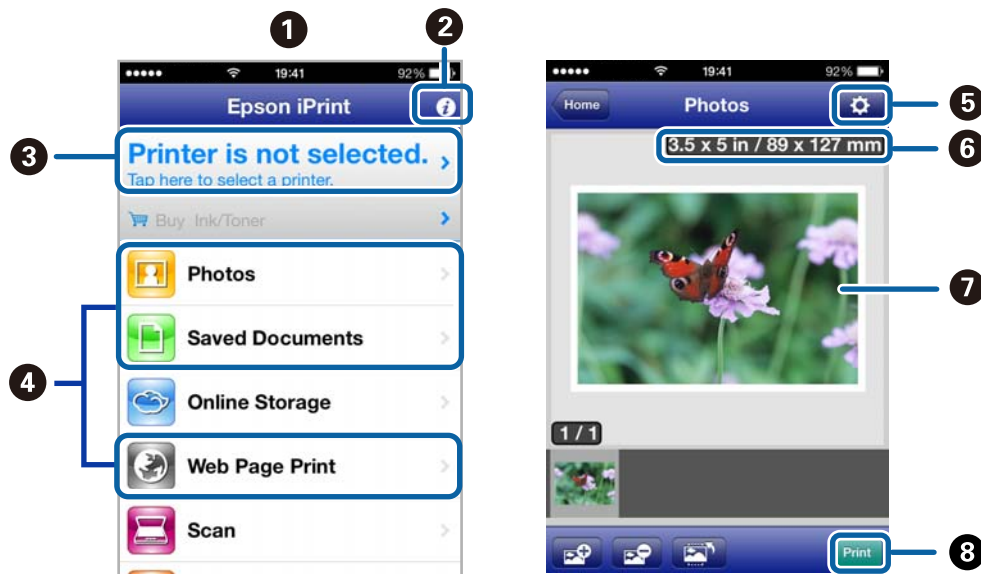


### Using Epson iPrint

Start Epson iPrint from your smart device and select the item you want to use from the home screen.

## Printing

The following screens are subject to change without notice.



1	Home screen displayed when the application is started.
2	Displays information on how to setup the printer and a FAQ.
3	Displays the screen where you can select the printer and make printer settings. Once you have selected the printer, you do not need to select it again from the next time.
4	Select what you want to print such as photos, documents, and web pages.
5	Displays the screen to make print settings such as paper size and paper type.
6	Displays paper size. When it is shown as a button, press it to display the paper settings currently set on the printer.
7	Displays photos and documents you selected.
8	Starts printing.

**Note:**

To print from the document menu using iPhone, iPad, and iPod touch running iOS, start Epson iPrint after transferring the document you want to print using the file sharing function in iTunes.

**Related Information**

➔ [“Epson Connect Service” on page 72](#)



## Printing

### Using AirPrint

AirPrint allows you to wirelessly print to your AirPrint-enabled printer from your iOS device using the latest version of iOS and from your Mac OS X v10.7.x or later.



**Note:**

- If you disable the paper source configuration setting in the Printer Setup menu in **Menu** on the printer's control panel, you cannot use AirPrint.
- See the AirPrint page on the Apple website for more details.

1. Load paper in the printer.
2. Connect your device to the same wireless network that your printer is using.
3. Print from your device to your printer.

**Related Information**

- ➔ [“Loading Paper in the Rear Paper Feed” on page 25](#)
- ➔ [“Menu” on page 20](#)

---

## Canceling Printing

**Note:**

- In Windows, you cannot cancel a print job from the computer once it has been completely sent to the printer. In this case, cancel the print job by using the printer's control panel.
- When printing several pages from Mac OS X, you cannot cancel all of the jobs by using the control panel. In this case, cancel the print job from the computer.
- If you have sent a print job from Mac OS X v10.6.8 through the network, you may not be able to cancel printing from the computer. In this case, cancel the print job by using the printer's control panel. You need to change settings in Web Config to cancel printing from the computer. See the Network Guide for more details.

### Canceling Printing - Printer Button

Press the  button to cancel the print job in progress.


## Canceling Printing - Windows

1. Access the printer driver window.
2. Select the **Maintenance** tab.
3. Click **Print Queue**.
4. Right-click on the job you want to cancel and then select **Cancel**.

### Related Information

➔ [“Windows Printer Driver” on page 74](#)

## Canceling Printing - Mac OS X

1. Click the printer icon in the **Dock**.
2. Select the job you want to cancel.
3. Cancel the job.
  - Mac OS X v10.8.x to Mac OS X v10.9.x  
Click  next to the progress meter.
  - Mac OS X v10.6.8 to v10.7.x  
Click **Delete**.

# Charging the Battery

---

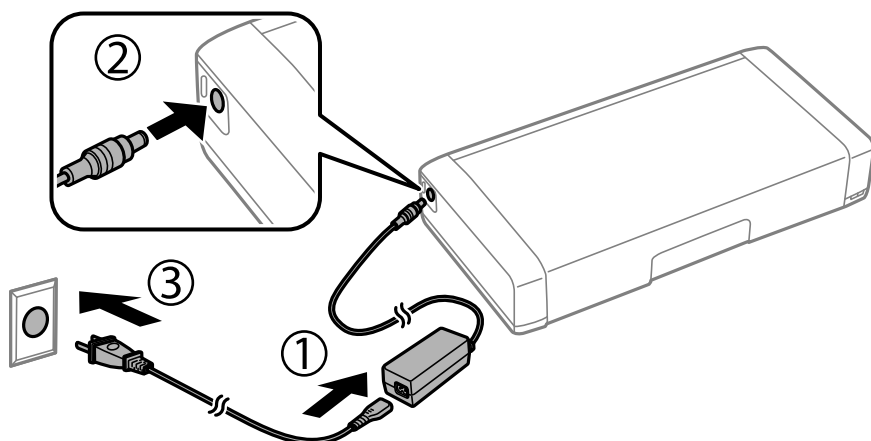
## Battery Charging Precautions

- ❑ The battery slowly runs down even when you do not use the printer. Charge the battery before you run the printer on the battery.
- ❑ We recommend turning off the printer when not in use to save the battery. You can also set to turn off the printer automatically.
- ❑ The battery's usable time is shorter in low temperature environments, even if you have charged the battery fully.
- ❑ You do not need to use the battery completely before charging it.
- ❑ The battery may be hot right after it is charged or used; this is normal.
- ❑ Charge the battery within a range of 10 to 35°C (50 to 95°F). The battery may not be fully charged or the battery may deteriorate if you charge it in low or high temperatures.
- ❑ If the battery's usable time is significantly short even after the battery is fully charged, the battery may be at the end of its service life. Contact Epson support to replace the battery.
- ❑ If you do not use the printer for a long time, charge the battery on a regular basis to avoid letting it run out. If the printer does not turn on, charge the battery for more than thirty minutes, and then turn on the printer again.

---

## Charging the Battery by Connecting to an AC Adapter

Connect the power cord to the AC adapter, connect the AC adapter to the printer, and then plug in the power cord.



**Note:**

- ❑ The battery charging light turns on when the battery is charging, and turns off when the battery charge is finished.
- ❑ It takes approximately 2.5 hours until the battery is fully charged.

## Charging the Battery with a USB Connection

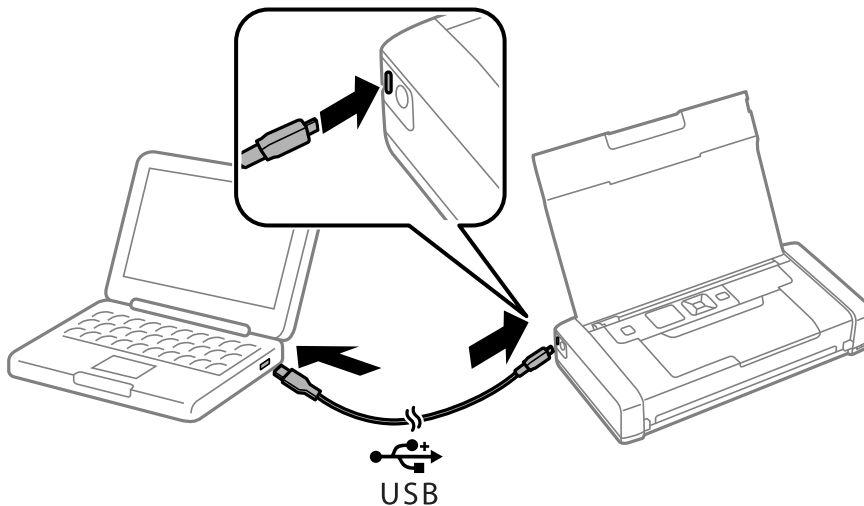
You can charge the battery from a battery charger or a computer with a USB connection.

The following shows the printer's charging specifications.

- ❑ Input for charging with a USB connection: DC 5 V (maximum 1.5 A)
- ❑ Charging time:
  - USB Port (5 V/1.5A): Approx. 2.5 hours
  - USB Port (5 V/0.5 A): Approx. 10 hours
- ❑ Battery capacity of current: 1860 mAh (3.6 V)


Follow the instructions below to charge the battery from a computer.

1. Make sure that the computer is on. If the computer is in hibernate or sleep mode, you cannot charge the battery; if this happens, wake the computer.
2. Connect the printer to the computer using a micro USB cable.



**Note:**

You cannot charge the battery using a USB hub. Connect the printer directly to the computer.

3. If the printer is on, press the  button to turn it off.

**Note:**

- ❑ If battery charging does not start, select **Menu > Battery > Battery Settings** on the control panel, enable **USB Power Supply via PC**, and then try again.
- ❑ You can charge the battery when the printer is in sleep mode even if you do not turn off the printer.
- ❑ During charging, the computer recognizes the printer as a USB mass storage device.
- ❑ The battery charging light turns on when the battery is charging, and turns off when charging is complete.

# Replacing Ink Cartridges and Other Consumables

---

## Checking the Status of the Remaining Ink and the Maintenance Box

You can check the approximate ink levels and the approximate service life of the maintenance box from the control panel or the computer.

### Checking the Status of the Remaining Ink and the Maintenance Box - Control Panel

You can check the approximate ink levels and the approximate service life of the maintenance box on the home screen.

#### Related Information

➔ [“Guide to the LCD Screen” on page 18](#)

### Checking the Status of the Remaining Ink and the Maintenance Box - Windows

1. Access the printer driver window.
2. Click **EPSON Status Monitor 3** on the **Maintenance** tab, and then click **Details**.


*Note:*

*If EPSON Status Monitor 3 is disabled, click **Extended Settings** on the **Maintenance** tab, and then select **Enable EPSON Status Monitor 3**.*

#### Related Information

➔ [“Windows Printer Driver” on page 74](#)

### Checking the Status of the Remaining Ink and the Maintenance Box - Mac OS X


1. Select **System Preferences** from the  menu > **Printers & Scanners** (or **Print & Scan**, **Print & Fax**), and then select the printer.
2. Click **Options & Supplies** > **Utility** > **Open Printer Utility**.
3. Click **EPSON Status Monitor**.

## Replacing Ink Cartridges and Other Consumables

### Ink Cartridge Codes

Epson recommends the use of genuine Epson ink cartridges. Epson cannot guarantee the quality or reliability of non-genuine ink. The use of non-genuine ink may cause damage that is not covered by Epson's warranties, and under certain circumstances, may cause erratic printer behavior. Information about non-genuine ink levels may not be displayed.

The following are the codes for genuine Epson ink cartridges.

Icon	Black	Color
Globe 	266	267

**Note:**

For users in Europe, visit the following website for information on Epson's ink cartridge yields.

<http://www.epson.eu/pageyield>

For Australia/New Zealand

Black	Color
215	215

For Asia

Black	Color
289	290

### Ink Cartridge Handling Precautions

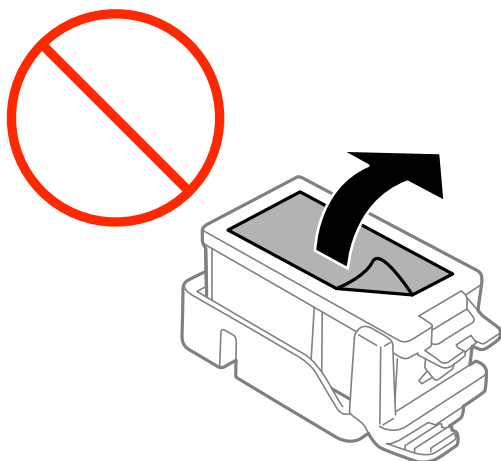
Read the following instructions before replacing ink cartridges.

**Handling precautions**

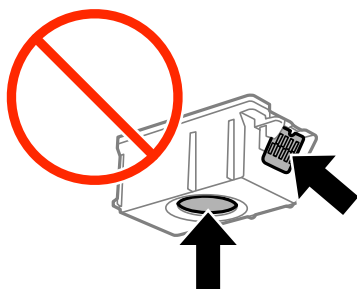
- Store ink cartridges at normal room temperature and keep them away from direct sunlight.
- Epson recommends using the ink cartridge before the date printed on the package.
- For best results, use up ink cartridge within six months of opening the package.
- For best results, store ink cartridge packages with their bottom down.
- After bringing an ink cartridge inside from a cold storage site, allow it to warm up at room temperature for at least three hours before using it.

## Replacing Ink Cartridges and Other Consumables

- ❑ Do not open the ink cartridge package until you are ready to install it in the printer. The cartridge is vacuum packed to maintain its reliability. If you leave a cartridge unpacked for a long time before using it, normal printing may not be possible.
- ❑ You must remove the yellow tape from the cartridge before installing it; otherwise, print quality may decline or you may not be able to print. Do not remove or tear the label on the cartridge; this can cause leakage.



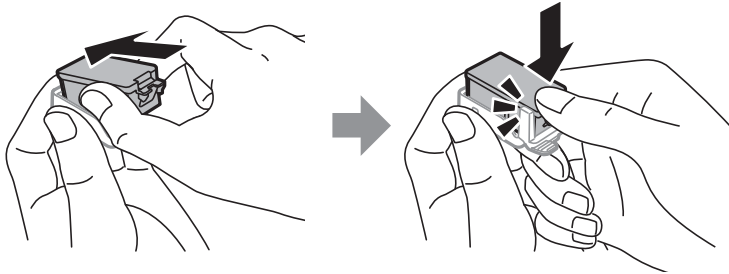
- ❑ Do not touch the sections shown in the illustration. Doing so may prevent normal operation and printing.



- ❑ Install all ink cartridges; otherwise you cannot print.
- ❑ Do not replace ink cartridges with the power off. Do not move the print head by hand; otherwise, you may damage the printer.
- ❑ Do not turn off the printer during ink charging. If the ink charging is incomplete, you may not be able to print.
- ❑ Do not leave the printer with the ink cartridges removed or do not turn off the printer during cartridge replacement. Otherwise, ink remaining in the print head nozzles will dry out and you may not be able to print.
- ❑ Be careful not to let dust or any objects get inside the ink cartridge holder. Anything inside the holder may adversely affect the printing results or result in an inability to print. If anything gets inside the holder, remove it carefully.
- ❑ Insert the ink cartridge in the correct direction. If the cartridge is inserted in the wrong direction, the insertion area may be damaged and the printer may not be able to print.

## Replacing Ink Cartridges and Other Consumables

- ❑ If you remove the cartridge from the printer for later use or to dispose of it, make sure you put the cap back on the cartridge's ink supply port to prevent ink from drying out or to prevent surrounding areas from getting smeared by ink.



- ❑ This printer uses ink cartridges equipped with a green chip that monitors information such as the amount of remaining ink for each cartridge. This means that even if the cartridge is removed from the printer before it is expended, you can still use the cartridge after reinserting it back into the printer. However, when reinserting a cartridge, some ink may be consumed to guarantee printer performance.
- ❑ For maximum ink efficiency, only remove an ink cartridge when you are ready to replace it. Ink cartridges with low ink status may not be used when reinserted.
- ❑ To ensure you receive premium print quality and to help protect your print head, a variable ink safety reserve remains in the cartridge when your printer indicates to replace the cartridge. The yields quoted for you do not include this reserve.
- ❑ Although the ink cartridges may contain recycled materials, this does not affect printer function or performance.
- ❑ Specifications and appearance of the ink cartridge are subject to change without prior notice for improvement.
- ❑ Do not disassemble or remodel the ink cartridge, otherwise you may not be able to print normally.
- ❑ You cannot use the cartridges that came with the printer for the replacement.
- ❑ Quoted yields may vary depending on the images that you are printing, the paper type that you are using, the frequency of your prints and environmental conditions such as temperature.
- ❑ Finish ink cartridge replacement promptly. Do not leave the printer with the ink cartridges removed.

### Consumption of Ink

- ❑ To maintain optimum print head performance, some ink is consumed from all cartridges not only during printing but also during maintenance operations such as ink cartridge replacement and print head cleaning.
- ❑ When printing in monochrome or grayscale, color inks instead of black ink may be used depending on the paper type or print quality settings. This is because a mixture of color inks is used to create black.
- ❑ The ink in the ink cartridges supplied with your printer is partly used during initial setup. In order to produce high quality printouts, the print head in your printer will be fully charged with ink. This one-off process consumes a quantity of ink and therefore these cartridges may print fewer pages compared to subsequent ink cartridges.

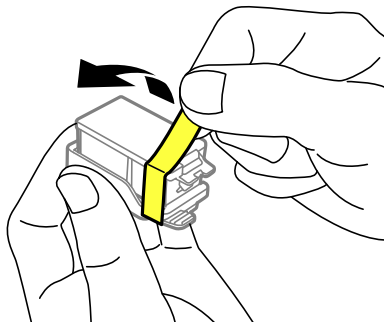


## Replacing Ink Cartridges

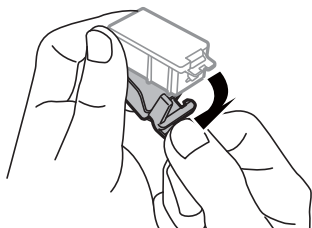
**!** *Important:*

- Do not shake the ink cartridges.*
- Finish ink cartridge replacement promptly. Do not leave the printer with the ink cartridges removed.*

1. Do one of the following.
  - When prompted to replace ink cartridges  
Check which ink cartridge needs to be replaced, and then press the OK button. Select **Replace now**, and then press the OK button.
  - When replacing ink cartridges before they are expended  
From the home screen, select **Menu > Maintenance > Ink Cartridge Replacement**, and then press the OK button.
2. Remove the ink cartridge from its package and then remove only the yellow tape.



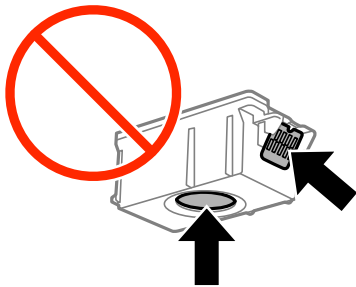
3. Remove the cap.



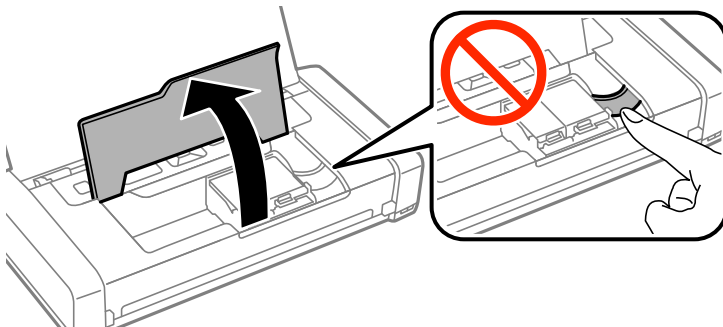
## Replacing Ink Cartridges and Other Consumables

**!** *Important:*

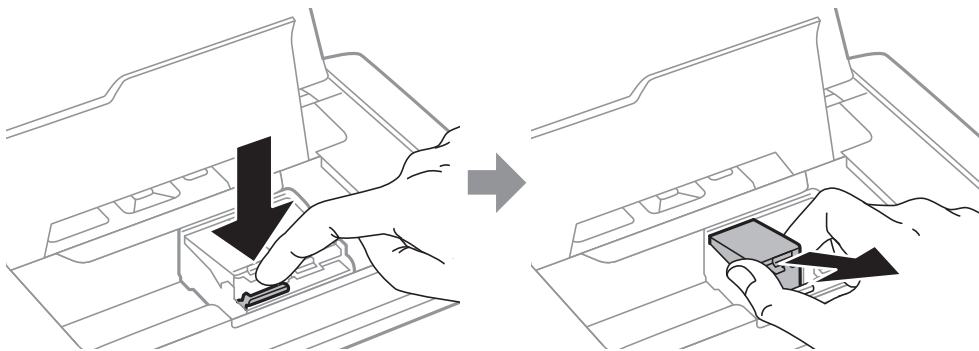
*Do not touch the sections shown in the illustration. Doing so may prevent normal operation and printing.*



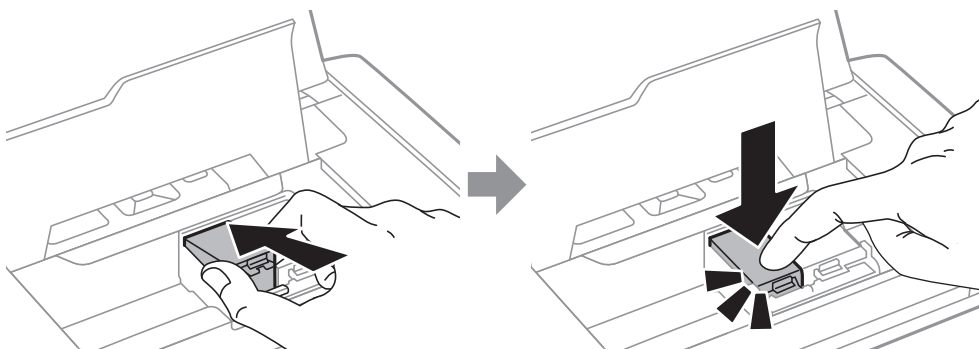
4. Press the OK button.
5. Open the inner cover.



6. Push the lever to unlock the ink cartridge, and then pull out the cartridge diagonally.



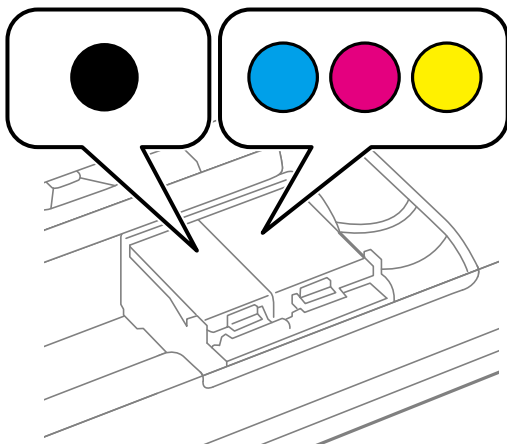
7. Insert the ink cartridge diagonally into the cartridge holder and gently push it down until it clicks into place.



## Replacing Ink Cartridges and Other Consumables

### **!** Important:

- ❑ Insert the ink cartridge in the correct direction. If the cartridge is inserted in the wrong direction, the insertion area may be damaged and the printer may not be able to print.
- ❑ Make sure you insert the black cartridge into the left holder, and the color cartridge into the right holder.



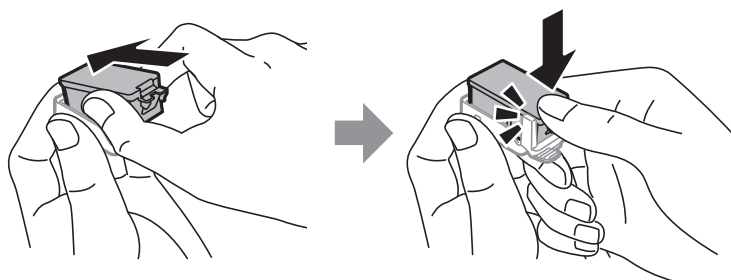
8. Close the inner cover.

9. Press the OK button.

Ink charging starts.

### **!** Important:

- ❑ Do not turn off the printer during ink charging. If the ink charging is incomplete, you may not be able to print.
- ❑ If you remove the cartridge from the printer for later use or to dispose of it, make sure you put the cap back on the cartridge's ink supply port to prevent ink from drying out or to prevent surrounding areas from getting smeared by ink.



### Related Information

- ➔ [“Ink Cartridge Codes” on page 54](#)
- ➔ [“Ink Cartridge Handling Precautions” on page 54](#)

## Maintenance Box Code

Epson recommends the use of a genuine Epson maintenance box.

## Replacing Ink Cartridges and Other Consumables

The following is the code for the genuine Epson maintenance box.

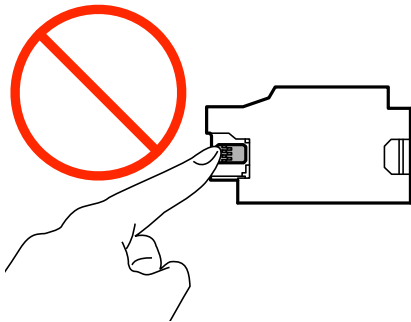
T2950

---

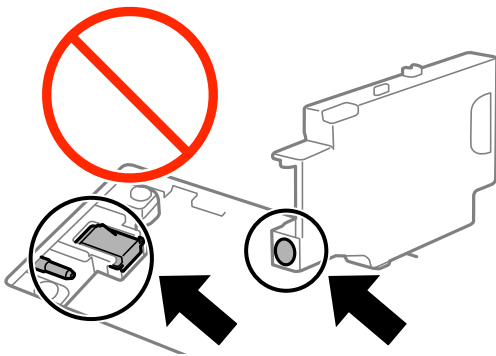
### Maintenance Box Handling Precautions

Read the following instructions before replacing the maintenance box.

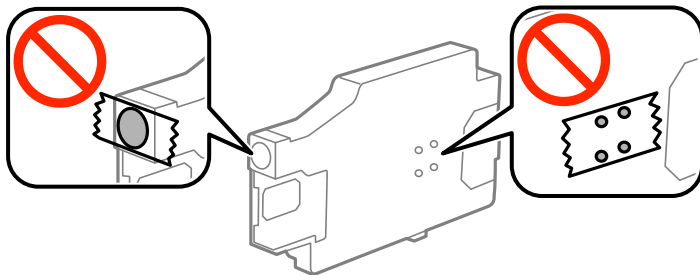
- ❑ Do not touch the green chip on the side of the maintenance box. Doing so may prevent normal operation and printing.



- ❑ Do not press or remove the film on the box; otherwise ink may leak.
- ❑ Do not touch the sections shown in the illustration. Doing so may prevent normal operation and you may get smeared with ink.



- ❑ Do not seal the holes of the maintenance box. These are necessary to operate normally.



- ❑ Keep the maintenance box out of direct sunlight.
- ❑ Do not replace the maintenance box when the printer is on; otherwise, ink may leak.

## Replacing Ink Cartridges and Other Consumables

- ❑ Do not reuse a maintenance box which has been removed and left detached for a long period. Ink inside the box will have solidified and no more ink can be absorbed.
- ❑ Do not remove the maintenance box and its cover except when replacing the maintenance box; otherwise ink may leak.

---

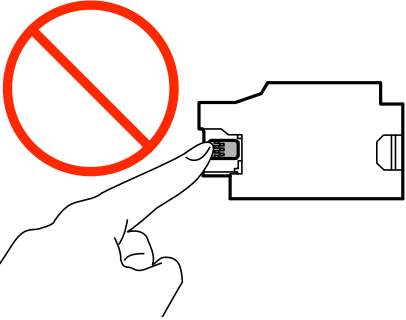
## Replacing a Maintenance Box

In some print cycles a very small amount of surplus ink may be collected in the maintenance box. To prevent ink leakage from the maintenance box, the printer is designed to stop printing when the absorbing capacity of the maintenance box has reached its limit. Whether and how often this is required will vary according to the number of pages you print, the type of material that you print and the number of cleaning cycles that the printer performs. Replace the maintenance box when you are promoted to do so. The Epson Status Monitor, your LCD, or lights on the control panel will advise you when this part needs replacing. The need for replacement of the box does not mean that your printer has ceased to operate in accordance with its specifications. The Epson warranty does not cover the cost of this replacement. It is a user-serviceable part.

1. Remove the new maintenance box from its package.

**!** **Important:**


- ❑ Do not touch the green chip on the side of the maintenance box. Doing so may prevent normal operation and printing.



❑ Do not press or remove the film on the box; otherwise ink may leak.

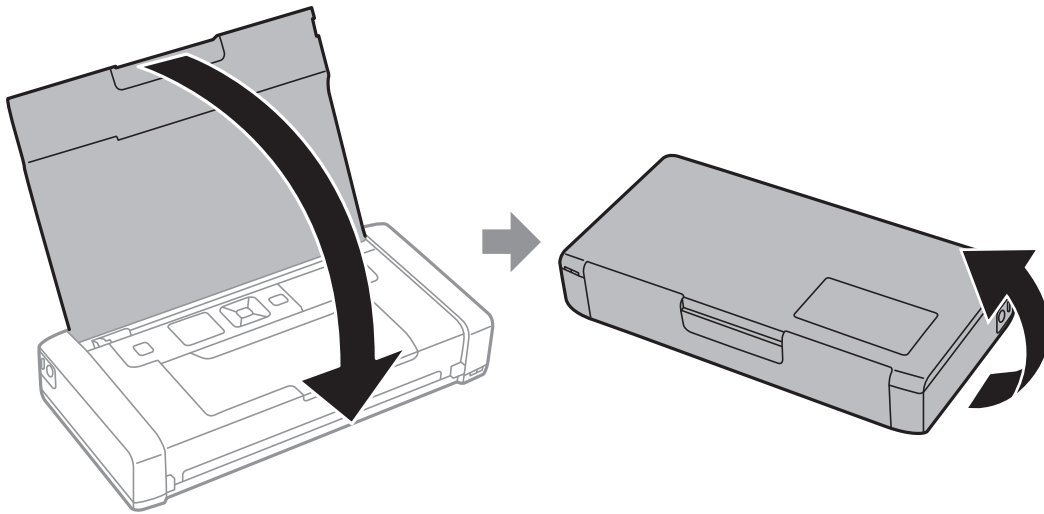
**Note:**

A transparent bag for the used maintenance box is provided with the new maintenance box.

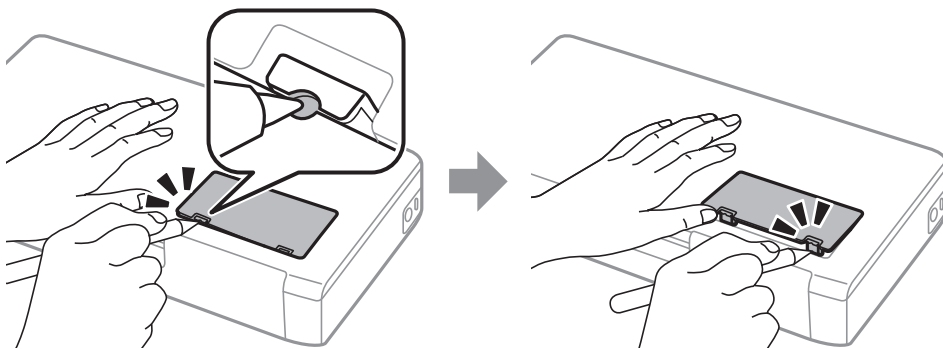
2. Turn off the printer by pressing the  button.
3. Disconnect all cables such as the power cord and USB cable.

## Replacing Ink Cartridges and Other Consumables

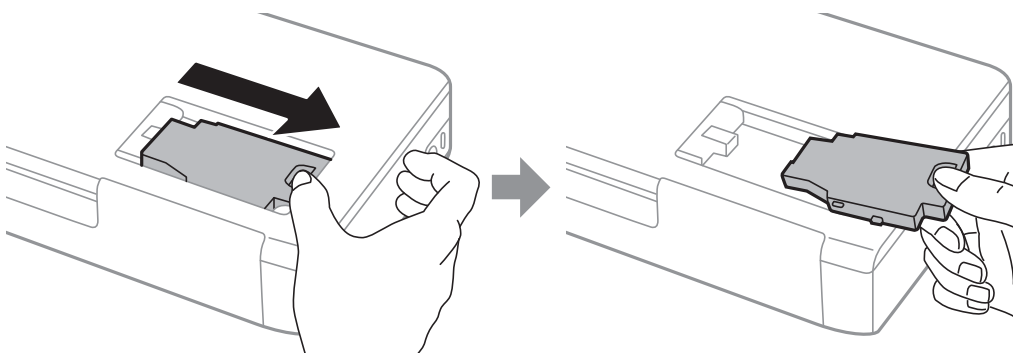
4. Close the printer cover, and then turn the printer over.



5. Push the tab on the cover using a narrow object such as a pen, and then remove the maintenance box cover.

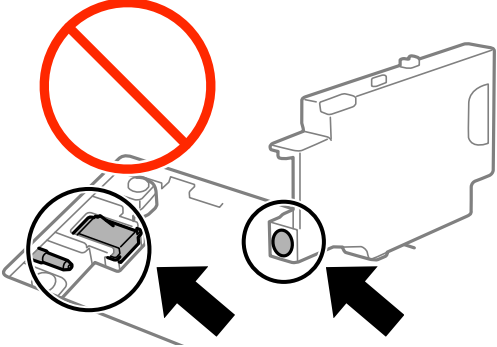


6. Slide the maintenance box as shown in the illustration, and then remove the box.



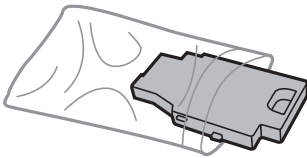
## Replacing Ink Cartridges and Other Consumables

**!** **Important:**  
Do not touch the sections shown in the illustration. Doing so may prevent normal operation and you may get smeared with ink.



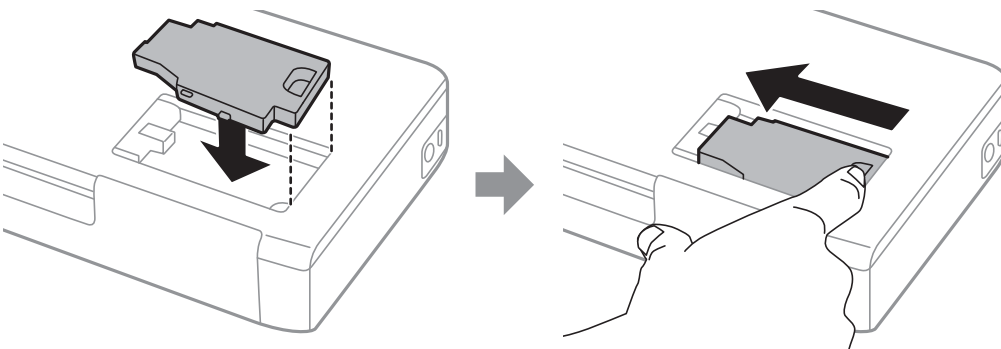
The diagram shows a maintenance box with a red circle and a diagonal slash (prohibition sign) over a specific area on the top surface. Two black arrows point to other areas on the box, indicating that these areas should not be touched.

- Put the used maintenance box in the transparent bag that came with the new maintenance box and seal the bag shut.



**!** **Important:**  
Do not remove the film on the maintenance box.

- Place the new maintenance box straight down, and then slide it to install it.



- Reattach the maintenance box cover.

**Note:**

When the maintenance box cover cannot be reattached, the maintenance box may not be installed correctly. Remove the maintenance box, and re-install it.

### Related Information

- ➔ [“Maintenance Box Code” on page 59](#)
- ➔ [“Maintenance Box Handling Precautions” on page 60](#)

---

## Temporarily Printing with Black Ink

When color ink is expended and black ink still remains, you can use the following settings to continue printing for a short time using only black ink.

- Type of paper: plain papers, Envelope
- Color: **Grayscale**
- Borderless: Not selected
- EPSON Status Monitor 3: Enabled (for Windows only)

Because this feature is only available for approximately five days, replace the expended ink cartridge as soon as possible.

**Note:**

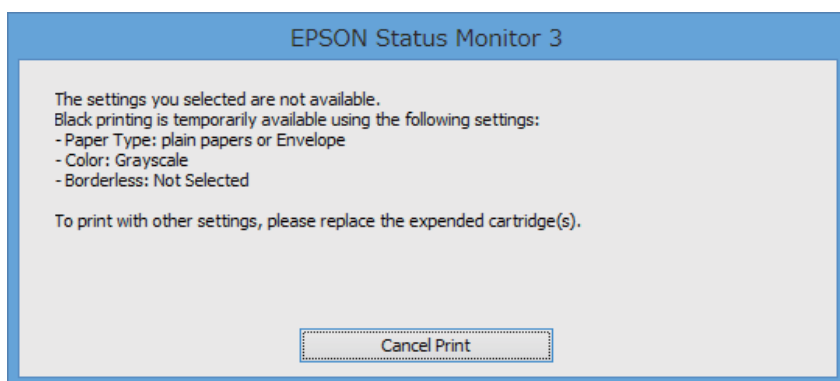
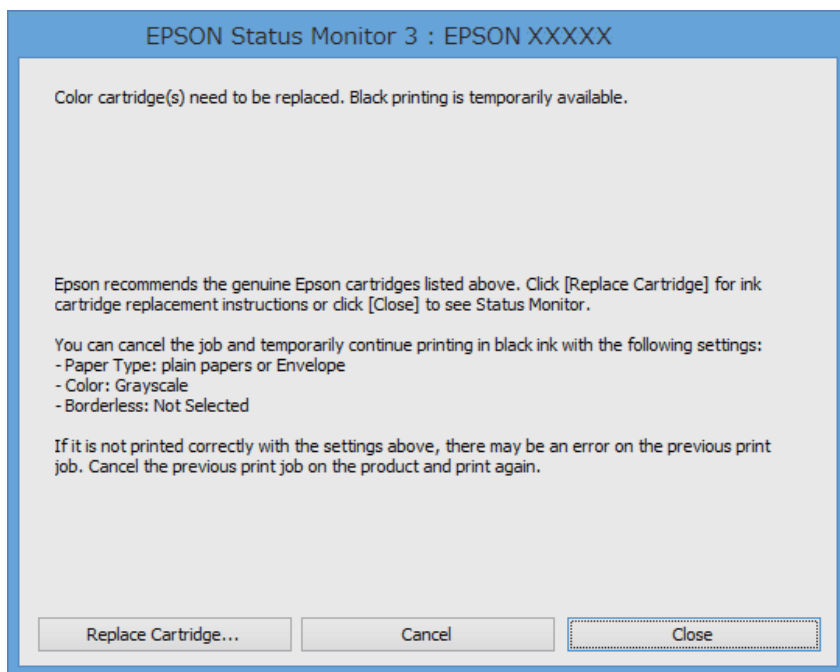
- If **EPSON Status Monitor 3** is disabled, access the printer driver, click **Extended Settings** on the **Maintenance** tab, and then select **Enable EPSON Status Monitor 3**.*
- The available period varies depending on the usage conditions.*



## Replacing Ink Cartridges and Other Consumables

## Temporarily Printing with Black Ink - Windows

1. When the following window is displayed, cancel printing.

**Note:**

*If you cannot cancel printing from the computer, cancel using the printer's control panel.*

2. Access the printer driver window.
3. Clear **Borderless** on the **Main** tab.
4. Select **plain papers** or **Envelope** as the **Paper Type** setting on the **Main** tab.
5. Select **Grayscale**.
6. Set the other items on the **Main** and **More Options** tabs as necessary, and then click **OK**.
7. Click **Print**.
8. Click **Print in Black** in the window displayed.

## Replacing Ink Cartridges and Other Consumables


### Related Information

- ➔ [“Loading Paper in the Rear Paper Feed” on page 25](#)
- ➔ [“Printing Basics - Windows” on page 31](#)

## Temporarily Printing with Black Ink - Mac OS X


### Note:

To use this feature through a network, connect with **Bonjour**.

1. Click the printer icon in the **Dock**.
2. Cancel the job.
  - Mac OS X v10.8.x to Mac OS X v10.9.x  
Click  next to the progress meter.
  - Mac OS X v10.6.8 to v10.7.x  
Click **Delete**.

### Note:

If you cannot cancel printing from the computer, cancel using the printer's control panel.

3. Select **System Preferences** from the  menu > **Printers & Scanners** (or **Print & Scan, Print & Fax**), and then select the printer. Click **Options & Supplies** > **Options** (or **Driver**).
4. Select **On** as the **Permit temporary black printing** setting.
5. Access the print dialog.
6. Select **Print Settings** from the pop-up menu.
7. Select any paper size except for a borderless size as the **Paper Size** setting.
8. Select **plain papers** or **Envelope** as the **Media Type** setting.
9. Select **Grayscale**.
10. Set the other items as necessary.
11. Click **Print**.

### Related Information

- ➔ [“Loading Paper in the Rear Paper Feed” on page 25](#)
- ➔ [“Printing Basics - Mac OS X” on page 32](#)

## Conserving Black Ink when the Black Ink Is Low (for Windows Only)

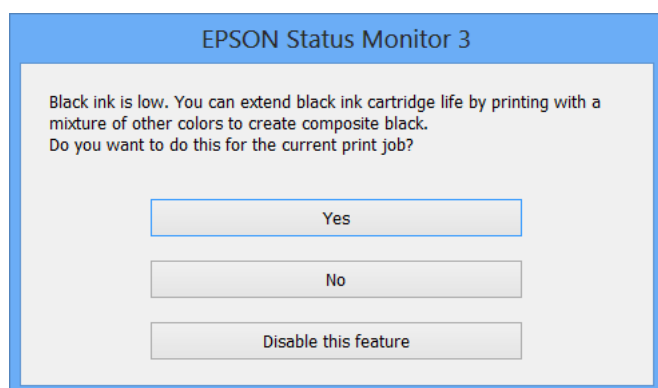
When black ink is running low and there is enough color ink remaining, you can use a mixture of color inks to create black. You can continue printing while preparing a replacement black ink cartridge.

This feature is only available when you select the following settings in the printer driver.

- Paper Type: **plain papers**
- Quality: **Standard**
- EPSON Status Monitor 3: Enabled

**Note:**

- If **EPSON Status Monitor 3** is disabled, access the printer driver, click **Extended Settings** on the **Maintenance** tab, and then select **Enable EPSON Status Monitor 3**.
- Composite black looks slightly different from pure black. In addition, the print speed is reduced.
- To maintain the quality of the print head, black ink is also consumed.



Options	Description
Yes	Select to use a mixture of color inks to create black. This window is displayed the next time you print a similar job.
No	Select to continue using the remaining black ink. This window is displayed the next time you print a similar job.
Disable this feature	Select to continue using the remaining black ink. This window is not displayed until you replace the black ink cartridge and it runs low again.

# Improving Print Quality


## Checking and Cleaning the Print Head

If the nozzles are clogged, the printouts become faint, there is visible banding, or unexpected colors appear. When print quality has declined, use the nozzle check feature and check if the nozzles are clogged. If the nozzles are clogged, clean the print head.

**Important:**

*Do not open the inner cover or turn off the printer during head cleaning. If the head cleaning is incomplete, you may not be able to print.*

**Note:**

- Because print head cleaning uses some ink, clean the print head only if quality declines.
- When ink is low you may not be able to clean the print head. Replace the appropriate ink cartridge first.
- If print quality has not improved after repeating nozzle check and head cleaning about two times, wait for at least six hours without printing, and then run the nozzle check again and repeat the head cleaning if necessary. If the printer operates printing while waiting, extend the waiting time. We recommend to turn off the printer. If print quality has still not improved, contact Epson support.
- To prevent the print head from drying out, always turn the printer off by pressing the  button.
- To keep the print head operating at its best, we recommend printing a few pages on a regular basis.

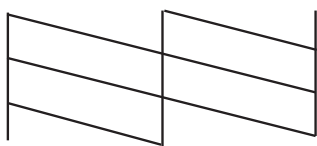
## Checking and Cleaning the Print Head - Control Panel

1. Load A4-size plain paper in the printer.
2. Enter **Menu** from the home screen.
3. Select **Maintenance > Nozzle Check**.
4. Follow the on-screen instructions to print the nozzle check pattern.

**Note:**

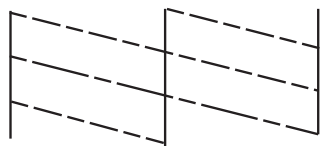
*The test pattern may vary by model.*

5. Compare the printed check pattern with the sample shown below.
  - All lines are printed: The print head nozzles are not clogged. Close the nozzle check feature.



## Improving Print Quality

- ❑ There are broken lines or missing segments: The print head nozzles may be clogged. Go to the next step.



6. Follow the on-screen instructions to clean the print head.
7. When cleaning is finished, print the nozzle check pattern again. Repeat cleaning and printing the pattern until all lines are printed completely.


## Checking and Cleaning the Print Head - Windows

1. Load A4-size plain paper in the printer.
2. Access the printer driver window.
3. Click **Nozzle Check** on the **Maintenance** tab.
4. Follow the on-screen instructions.

### Related Information

- ➔ [“Windows Printer Driver” on page 74](#)

## Checking and Cleaning the Print Head - Mac OS X

1. Load A4-size plain paper in the printer.
2. Select **System Preferences** from the  menu > **Printers & Scanners** (or **Print & Scan**, **Print & Fax**), and then select the printer.
3. Click **Options & Supplies** > **Utility** > **Open Printer Utility**.
4. Click **Nozzle Check**.
5. Follow the on-screen instructions.

---

## Aligning the Print Head

If you notice a misalignment of vertical lines or blurred images, align the print head.

## Aligning the Print Head - Control Panel

1. Load A4-size plain paper in the printer.
2. Enter **Menu** from the home screen.
3. Select **Maintenance > Head Alignment**.
4. Select **Vertical Alignment** or **Horizontal Alignment**, and then follow the on-screen instructions to print an alignment pattern.

Vertical Alignment: Select this if your printouts look blurry or vertical ruled lines appear misaligned.

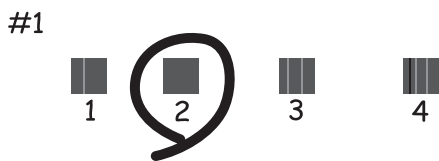
Horizontal Alignment: Select this if you see horizontal banding at regular intervals.

**Note:**

*The test pattern may vary by model.*

5. Follow the on-screen instructions to align the print head.

Vertical Alignment: Find and enter the number for the most solid pattern in each group.



Horizontal Alignment: Find and enter the number for the least separated and overlapping pattern.



## Aligning the Print Head - Windows

1. Load A4-size plain paper in the printer.
2. Access the printer driver window.
3. Click **Print Head Alignment** on the **Maintenance** tab.


## Improving Print Quality

4. Follow the on-screen instructions.

### Related Information

➔ [“Windows Printer Driver” on page 74](#)

## Aligning the Print Head - Mac OS X

1. Load A4-size plain paper in the printer.
2. Select **System Preferences** from the  menu > **Printers & Scanners** (or **Print & Scan, Print & Fax**), and then select the printer.
3. Click **Options & Supplies** > **Utility** > **Open Printer Utility**.
4. Click **Print Head Alignment**.
5. Follow the on-screen instructions.

---

## Cleaning the Paper Path

When the printouts are smeared or scuffed or paper does not feed correctly, clean the roller inside.

**Important:**

*Do not use tissue paper to clean the inside of the printer. The print head nozzles may be clogged with lint.*

1. Load paper for cleaning in the printer.
  - Load A4-size plain paper to clear a smearing or scuffing problem.
  - Load the cleaning sheet that came with Epson paper to clear a paper feeding problem.
2. Enter **Menu** from the home screen.
3. Select **Maintenance** > **Paper Guide Cleaning**.
4. Follow the on-screen instructions to clean the paper path.

**Note:**

- Repeat this procedure until the paper is not smeared with ink.
- To clear a paper feeding problem, repeat this procedure two or three times.
- The cleaning sheet loses its effect when used three times or more.

# Applications and Network Service Information

## Epson Connect Service

Using Epson Connect, you can print from your smartphone, tablet PC, or laptop, anytime and practically anywhere.

The following features are available for your printer.

Email Print	Epson iPrint remote print	Scan to Cloud	Remote Print Driver
✓	✓	-	✓

See the Epson Connect portal website for details.

<https://www.epsonconnect.com/>

<http://www.epsonconnect.eu> (Europe only)

## Web Config

Web Config is an application that allows you to manage the printer status or settings on a Web browser from a computer or smart device. You can confirm the printer status or change the network and printer settings. To use the Web Config, connect the printer and device to the same network.

**Note:**


*The following browsers are supported.*

OS	Browser
Windows XP or later	Internet Explorer 8 or later, Firefox*, Chrome*
Mac OS X v10.6.8 or later	Safari*, Firefox*, Chrome*
iOS*	Safari*
Android 2.3 or later	Default browser
Chrome OS*	Default browser

\*: Use the latest version.

## Running Web Config on a Web Browser

1. Check the printer's IP address.

Select **Menu** > **Network Settings** > **Print Status Sheet** from the control panel, and then press the  button or the OK button. Check the printer's IP address on the printed status sheet.



## Applications and Network Service Information

2. Launch a Web browser from a computer or smart device, and then enter the printer's IP address.

Format:

IPv4: http://the printer's IP address/

IPv6: http://[the printer's IP address]/

Examples:

IPv4: http://192.168.100.201/

IPv6: http://[2001:db8::1000:1]/

**Note:**

*Using the smart device, you can also run Web Config from the maintenance screen of Epson iPrint.*


### Related Information

➔ [“Using Epson iPrint” on page 47](#)

## Running Web Config on Windows

1. Access the devices and printers screen in Windows.
  - Windows 8.1/Windows 8/Windows Server 2012 R2/Windows Server 2012  
Select **Desktop > Settings > Control Panel > View devices and printers in Hardware and Sound (or Hardware)**.
  - Windows 7/Windows Server 2008 R2  
Click the start button, and select **Control Panel > View devices and printers in Hardware and Sound**.
  - Windows Vista/Windows Server 2008  
Click the start button, and select **Control Panel > Printers in Hardware and Sound**.
2. Right-click on your printer and select **Properties**.
3. Select the **Web Service** tab and click the URL.

## Running Web Config on Mac OS X

1. Select **System Preferences** from the  menu > **Printers & Scanners** (or **Print & Scan, Print & Fax**), and then select the printer.
2. Click **Options & Supplies > Show Printer Webpage**.

---

# Necessary Applications

## Windows Printer Driver

The printer driver is an application that controls the printer according to the print commands from other applications. Making settings on the printer driver provides the best printing results. You can also check the status of the printer or keep it in top operating condition using the printer driver utility.

**Note:**

You can change the language of the printer driver. Select the language you want to use from the **Language** setting on the **Maintenance** tab.

### Accessing the printer driver from applications

To make settings that apply only to the application you are using, access from that application.

Select **Print** or **Print Setup** from the **File** menu. Select your printer, and then click **Preferences** or **Properties**.

**Note:**

Operations differ depending on the application. See the application's help for details.

### Accessing the printer driver from the control panel

To make settings that apply to all of the applications, access from the control panel.

- Windows 8.1/Windows 8/Windows Server 2012 R2/Windows Server 2012

Select **Desktop > Settings > Control Panel > View devices and printers** in **Hardware and Sound**. Right-click on your printer, or press and hold it and then select **Printing preferences**.

- Windows 7/Windows Server 2008 R2

Click the start button, and select **Control Panel > View devices and printers** in **Hardware and Sound**. Right-click on your printer and select **Printing preferences**.

- Windows Vista/Windows Server 2008

Click the start button, and select **Control Panel > Printers** in **Hardware and Sound**. Right-click on your printer and select **Select printing preferences**.

- Windows XP/Windows Server 2003 R2/Windows Server 2003

Click the start button, and select **Control Panel > Printers and Other Hardware > Printers and Faxes**. Right-click on your printer and select **Printing preferences**.

### Starting the utility

Access the printer driver window. Click the **Maintenance** tab.

## Restricting Available Settings for the Windows Printer Driver

Administrators can restrict the following printer driver settings for each user to prevent unintended changes of the settings.

- Watermark
- Header/Footer
- Color
- 2-Sided Printing

## Applications and Network Service Information

### Multi-Page

**Note:**

Log on to your computer as an administrator.

1. Open the **Optional Settings** tab in printer properties.
  - Windows 8.1/Windows 8/Windows Server 2012  
Select **Desktop > Settings > Control Panel > View devices and printers** in **Hardware and Sound**. Right-click on your printer, or press and hold it and then select **Printer properties**. Click the **Optional Settings** tab.
  - Windows 7/Windows Server 2008 R2  
Click the start button, and select **Control Panel > View devices and printers** in **Hardware and Sound**. Right-click on your printer, and then select **Printer properties**. Click the **Optional Settings** tab.
  - Windows Vista/Windows Server 2008  
Click the start button, and select **Control Panel > Printers** in **Hardware and Sound**. Right-click on your printer, and then select **Properties**. Click the **Optional Settings** tab.
  - Windows XP/Windows Server 2003 R2/Windows Server 2003  
Click the start button, and select **Control Panel > Printers and Other Hardware > Printers and Faxes**. Right-click on your printer, and then select **Properties**. Click the **Optional Settings** tab.
2. Click **Driver Settings**.
3. Select the feature that you want to restrict.  
See the online help for explanations of the setting items.
4. Click **OK**.

## Making Operation Settings for the Windows Printer Driver

You can make settings such as enabling **EPSON Status Monitor 3**.

1. Access the printer driver window.
2. Click **Extended Settings** on the **Maintenance** tab.
3. Make the appropriate settings, and then click **OK**.  
See the online help for explanations of the setting items.

### Related Information

➔ [“Windows Printer Driver” on page 74](#)

## Mac OS X Printer Driver

The printer driver is an application that controls the printer according to the print commands from other applications. Making settings on the printer driver provides the best printing results. You can also check the status of the printer or keep it in top operating condition using the printer driver utility.

## Applications and Network Service Information

### Accessing the printer driver from applications

Select **Print** from the **File** menu. If necessary, click **Show Details** (or ▼) to expand the print window.

**Note:**


*Operations differ depending on the application. See the application's help for details.*

### Starting the utility

Select **System Preferences** from the  menu > **Printers & Scanners** (or **Print & Scan**, **Print & Fax**), and then select the printer. Click **Options & Supplies** > **Utility** > **Open Printer Utility**.

## Making Operation Settings for the Mac OS X Printer Driver

You can make various settings such as skipping blank pages and enabling/disabling high speed printing.

1. Select **System Preferences** from the  menu > **Printers & Scanners** (or **Print & Scan**, **Print & Fax**), and then select the printer. Click **Options & Supplies** > **Options** (or **Driver**).
2. Make the appropriate settings, and then click **OK**.
  - Thick paper and envelopes:** Prevents the ink from smearing when printing on thick paper. However, the print speed may be slower.
  - Skip Blank Page:** Avoids printing blank pages.
  - Quiet Mode:** Prints quietly. However, the print speed may be slower.
  - Permit temporary black printing:** Prints only with black ink temporarily.
  - High Speed Printing:** Prints when the print head moves in both directions. The print speed is faster, but the quality may decline.
  - Remove white borders:** Removes unnecessary margins during borderless printing.
  - Warning Notifications:** Allows the printer driver to display warning notifications.
  - Establish bidirectional communication:** Usually, this should be set to **On**. Select **Off** when acquiring the printer information is impossible because the printer is shared with Windows computers on a network or for any other reason.
  - Lower Cassette:** Add the optional paper cassette units to the paper source.

**Note:**

*The availability of these settings varies by model.*

### Related Information

➔ [“Temporarily Printing with Black Ink” on page 64](#)

## Epson Easy Photo Print

Epson Easy Photo Print is an application that allows you to easily print photos with various layouts. You can preview the photo image and adjust the images or position. You can also print photos with a frame. See the application's help for details.

## Applications and Network Service Information

**Note:**

- Windows Server operating systems are not supported.*
- To use this application, the printer driver needs to be installed.*

### Starting on Windows

- Windows 8.1/Windows 8

Enter the application name in the search charm, and then select the displayed icon.

- Windows 7/Windows Vista/Windows XP

Click the start button, and then select **All Programs** or **Programs** > **Epson Software** > **Epson Easy Photo PrintE-Photo**.

### Starting on Mac OS X

Select **Go** > **Applications** > **Epson Software** > **Epson Easy Photo Print**.

## E-Web Print (for Windows Only)

E-Web Print is an application that allows you to easily print web pages with various layouts. See the application's help for details. You can access the help from the **E-Web Print** menu on the **E-Web Print** tool bar.

**Note:**

*Windows Server operating systems are not supported.*

### Starting

When you install E-Web Print, it is displayed in your browser. Click **Print** or **Clip**.

## EPSON Software Updater

EPSON Software Updater is an application that checks for new or updated software on the internet and installs it. You can also update the printer's firmware and manual.

**Note:**

*Windows Server operating systems are not supported.*

### Starting on Windows

- Windows 8.1/Windows 8

Enter the application name in the search charm, and then select the displayed icon.

- Windows 7/Windows Vista/Windows XP

Click the start button, and select **All Programs** (or **Programs**) > **Epson Software** > **EPSON Software Updater**.

### Starting on Mac OS X

Select **Go** > **Applications** > **Epson Software** > **EPSON Software Updater**.

## EpsonNet Config

EpsonNet Config is an application that allows you to set the network interface addresses and protocols. See the operations guide for EpsonNet Config or the application's help for more details.

### Starting on Windows

- Windows 8.1/Windows 8/Windows Server 2012 R2/Windows Server 2012  
Enter the application name in the search charm, and then select the displayed icon.
- Except for Windows 8.1/Windows 8/Windows Server 2012 R2/Windows Server 2012  
Click the start button, and select **All Programs** (or **Programs**) > **EpsonNet** > **EpsonNet Config V4** > **EpsonNet Config**.

### Starting on Mac OS X

Select **Go** > **Applications** > **Epson Software** > **EpsonNet** > **EpsonNet Config V4** > **EpsonNet Config**.

---

## Uninstalling Applications

### Note:

Log on to your computer as an administrator. Enter the administrator password if the computer prompts you.

## Uninstalling Applications - Windows

1. Press the  button to turn off the printer.
2. Quit all running applications.
3. Open **Control Panel**:
  - Windows 8.1/Windows 8/Windows Server 2012 R2/Windows Server 2012  
Select **Desktop** > **Settings** > **Control Panel**.
  - Except for Windows 8.1/Windows 8/Windows Server 2012 R2/Windows Server 2012  
Click the start button and select **Control Panel**.
4. Open **Uninstall a program** (or **Add or Remove Programs**):
  - Windows 8.1/Windows 8/Windows 7/Windows Vista/Windows Server 2012 R2/Windows Server 2012/  
Windows Server 2008 R2/Windows Server 2008  
Select **Uninstall a program** in **Programs**.
  - Windows XP/Windows Server 2003 R2/Windows Server 2003  
Click **Add or Remove Programs**.
5. Select the application you want to uninstall.

## Applications and Network Service Information



6. Uninstall the applications:
  - Windows 8.1/Windows 8/Windows 7/Windows Vista/Windows Server 2012 R2/Windows Server 2012/Windows Server 2008 R2/Windows Server 2008  
Click **Uninstall/Change** or **Uninstall**.
  - Windows XP/Windows Server 2003 R2/Windows Server 2003  
Click **Change/Remove** or **Remove**.

**Note:**

If the **User Account Control** window is displayed, click **Continue**.

7. Follow the on-screen instructions.

## Uninstalling Applications - Mac OS X

1. Download the Uninstaller using EPSON Software Updater.  
Once you have downloaded the Uninstaller, you do not need to download it again each time you uninstall the application.
2. Press the  button to turn off the printer.
3. To uninstall the printer driver, select **System Preferences** from the  menu > **Printers & Scanners** (or **Print & Scan, Print & Fax**), and then remove the printer from the enabled printers list.
4. Quit all running applications.
5. Select **Go > Applications > Epson Software > Uninstaller**.
6. Select the application you want to uninstall, and then click **Uninstall**.

 **Important:**

The Uninstaller removes all drivers for Epson inkjet printers on the computer. If you use multiple Epson inkjet printers and you only want to delete some drivers, delete all of them first, and then install the necessary printer driver again.

**Note:**

If you cannot find the application you want to uninstall in the application list, you cannot uninstall using the Uninstaller. In this situation, select **Go > Applications > Epson Software**, select the application you want to uninstall, and then drag it to the trash icon.

### Related Information

➔ [“EPSON Software Updater” on page 77](#)

---

## Installing Applications

If your computer is connected to a network, install the latest applications available on the website. If you are unable to download the applications from the website, install them from the software disc that came with the printer.

## Applications and Network Service Information

**Note:**

- ❑ Log on to your computer as an administrator. Enter the administrator password if the computer prompts you.
- ❑ When reinstalling an application, you need to uninstall it first.

1. Quit all running applications.
2. When installing the printer driver, disconnect the printer and the computer temporarily.

**Note:**

*Do not connect the printer and the computer until you are instructed to do so.*

3. Install the applications by following the instructions on the website below.

<http://epson.sn>

### Related Information

➔ [“Uninstalling Applications” on page 78](#)

---

## Updating Applications and Firmware

You may be able to clear certain problems and improve or add functions by updating the applications and the firmware. Make sure you use the latest version of the applications and firmware.

1. Make sure that the printer and the computer are connected, and the computer is connected to the internet.
2. Start EPSON Software Updater, and update the applications or the firmware.



**Important:**

*Do not turn off the computer or the printer while updating.*

**Note:**

*If you cannot find the application you want to update in the list, you cannot update using the EPSON Software Updater. Check for the latest versions of the applications from your local Epson website.*

<http://www.epson.com>

### Related Information

➔ [“EPSON Software Updater” on page 77](#)



# Solving Problems

## Checking the Printer Status

You can check error messages and the approximate ink levels on the LCD screen or the computer.

### Checking the Error Codes on the LCD Screen

A code is displayed on the LCD screen if there is an error or information that requires your attention.

Code	Situation	Solutions
E-01	A printer error has occurred.	Remove any paper or protective material in the printer. If the error message is still displayed even after turning off and then on again, contact Epson support.
E-11	An ink pad needs to be replaced.	Contact Epson or an authorised Epson service provider to replace the ink pad*. It is not a user-serviceable part.
E-12	A maintenance box becomes full. You need to replace the maintenance box.	Turn the power off, and then replace it with a new maintenance box.
E-13	A maintenance box is not installed or not installed correctly.	Turn the power off, and then install the maintenance box.
E-14	A maintenance box is not recognized.	Turn the power off, and then install the maintenance box again. If the message continues to be displayed even after reinstalling the maintenance box, replace it with a new maintenance box.
E-21	A battery error has occurred. The printer is turned off automatically.	Contact Epson support.
E-22	The battery is too cold to be used. The printer is turned off automatically.	Use this printer at a temperature of 10 to 35 °C.
E-23	The battery is too hot to be used. The printer is turned off automatically.	
E-24	The battery is too low to be used. The printer is turned off automatically.	Charge the battery or connect the AC adapter to the printer.
W-01	A paper jam has occurred in the rear paper feed.	Remove the jammed paper and press the OK button.
W-02	A paper jam has occurred inside the printer.	
W-11	An ink pad is nearing the end of its service life.	Contact Epson or an authorised Epson service provider to replace the ink pad*. It is not a user-serviceable part. The message will be displayed until the ink pad is replaced. Press the OK button to resume printing.

## Solving Problems

Code	Situation	Solutions
W-12	Ink cartridge is not installed correctly.	Press down each of the ink cartridges gently. Make sure they click into place.
W-13	Installed ink cartridge is cannot be used with this printer.	Replace the ink cartridges with the ones compatible with this printer.
I-22	Set the Wi-Fi from the <b>Push Button (WPS)</b> .	Push the access point button. If there is no button on the access point, open the access point setting window, and then click the button displayed in the software.
I-23	Set the Wi-Fi from the <b>PIN Code (WPS)</b> .	Enter the PIN code displayed on the LCD screen into the access point or computer within two minutes.
I-31	Set the Wi-Fi from the <b>Wi-Fi Auto Connect</b> .	Install the software on your computer, and then press the OK button when Wi-Fi setup starts.
I-41	<b>Paper Configuration</b> is disabled. Some functions cannot be used.	If the <b>Paper Configuration</b> is disabled, you cannot use AirPrint. In addition, a message notifying you of paper size and type mismatch is not displayed. Keep the setting enabled unless you always use the same size and type of paper, and do not need to change the paper settings.
I-81	The printer is switching to a battery mode because the AC adapter is disconnected.	The print speed may be slower when the printer is in battery mode. Connect the AC adapter to the printer when you do not want to change the print speed.
-	Ink is low.	You can continue printing until you are prompted to replace the ink cartridge(s). However, note that the printer cannot print if any one of the ink cartridges is expended. Prepare new cartridge(s) as soon as possible.
-	Ink is expended and you need to replace the ink cartridges.	To ensure you receive premium print quality and to help protect your print head, a variable ink safety reserve remains in the cartridge when your printer indicates it is time to replace the cartridge. Replace the cartridge when you are prompted to do so.
Recovery Mode	The printer has started in recovery mode because the firmware update failed.	Follow the steps below to try to update the firmware again. <ol style="list-style-type: none"> <li>1. Connect the printer with the AC adapter.</li> <li>2. Connect the computer and the printer with a USB cable. (During recovery mode, you cannot update the firmware over a network connection.)</li> <li>3. Visit your local Epson website for further instructions.</li> </ol>

\* In some print cycles a very small amount of surplus ink may be collected in the ink pad. To prevent ink leakage from the pad, the printer is designed to stop printing when the pad has reached its limit. Whether and how often this is required will vary according to the number of pages you print, the type of material that you print and the number of cleaning cycles that the printer performs. The need for replacement of the pad does not mean that your printer has ceased to operate in accordance with its specifications. The printer will advise you when the pad requires replacing and this can only be performed by an authorised Epson Service provider. The Epson warranty does not cover the cost of this replacement.

### Related Information

- ➔ [“Contacting Epson Support” on page 102](#)
- ➔ [“Charging the Battery” on page 51](#)
- ➔ [“Installing Applications” on page 79](#)

## Solving Problems

- ➔ [“Updating Applications and Firmware” on page 80](#)
- ➔ [“Replacing Ink Cartridges” on page 57](#)

## Checking the Printer Status - Windows

1. Access the printer driver window.
2. Click **EPSON Status Monitor 3** on the **Maintenance** tab, and then click **Details**.


**Note:**

*If EPSON Status Monitor 3 is disabled, click **Extended Settings** on the **Maintenance** tab, and then select **Enable EPSON Status Monitor 3**.*

### Related Information

- ➔ [“Windows Printer Driver” on page 74](#)

## Checking Printer Status - Mac OS X

1. Select **System Preferences** from the  menu > **Printers & Scanners** (or **Print & Scan**, **Print & Fax**), and then select the printer.
2. Click **Options & Supplies** > **Utility** > **Open Printer Utility**.
3. Click **EPSON Status Monitor**.

---

## Removing Jammed Paper

Check the error displayed on the control panel and follow the instructions to remove the jammed paper including any torn pieces. Next, clear the error.

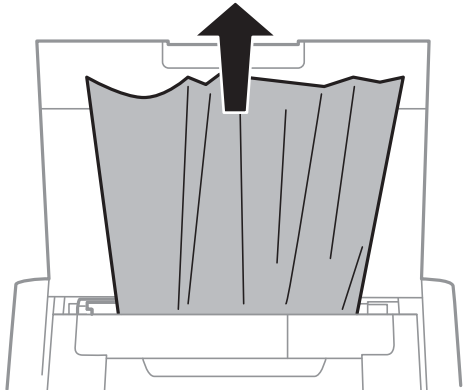


**Important:**

*Remove the jammed paper carefully. Removing the paper vigorously may cause damage to the printer.*

## Removing Jammed Paper from the Rear Paper Feed

Remove the jammed paper.

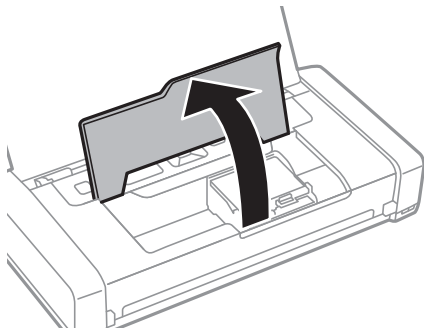


## Removing Jammed Paper from Inside the Printer

 **Caution:**

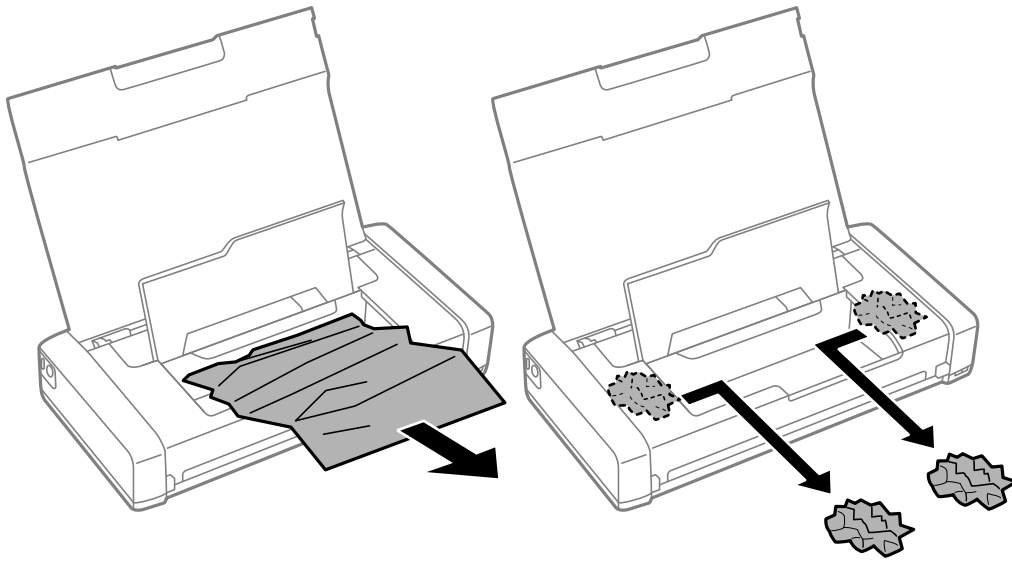
*Never touch the buttons on the control panel while your hand is inside the printer. If the printer starts operating, it could cause an injury. Be careful not to touch the protruding parts to avoid injury.*

1. Open the inner cover.



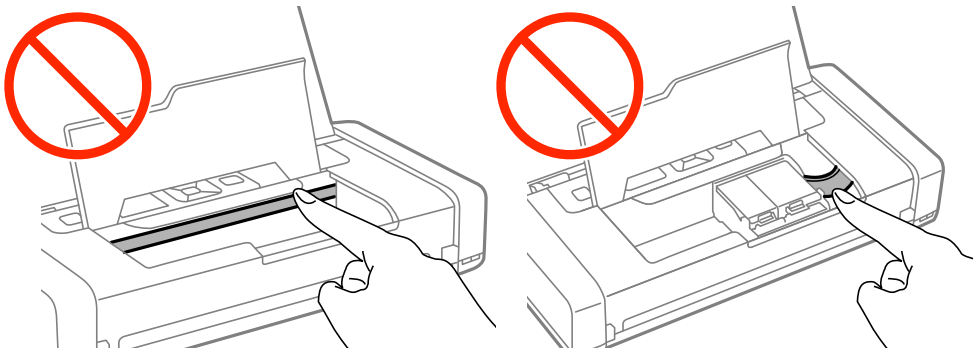
## Solving Problems

- Remove the jammed paper.



**!** **Important:**

*Do not touch the white flat cable or translucent part inside the printer. Doing so may cause a malfunction.*



- Close the inner cover.

## Paper Does Not Feed Correctly

Check the following if the paper jams, paper feeds at a slant, several sheets of paper feed at a time, no paper feeds, or paper is ejected.

- Place the printer on a flat surface and operate in the recommended environmental conditions.
- The battery may be running low. Connect the AC adapter to the printer.
- Use paper supported by this printer.
- Follow the paper handling precautions.
- Load paper in the correct direction, and slide the edge guide against the edge of the paper.
- Do not load more than the maximum number of sheets specified for the paper.
- When a paper out error occurs although paper is loaded in the printer, reload paper against the right edge of the rear paper feed.

## Solving Problems

- ❑ Load one sheet of paper at a time when loading multiple sheets of paper.
- ❑ When multiple sheets of paper feed at once during manual 2-sided printing, remove any paper which is loaded in the paper source before you reload the paper.
- ❑ Load and eject paper without printing to clean the paper path.
- ❑ Make sure the paper size and paper type settings of the paper source are correct.


### Related Information

- ➔ [“Environmental Specifications” on page 97](#)
- ➔ [“Available Paper and Capacities” on page 24](#)
- ➔ [“Paper Handling Precautions” on page 23](#)
- ➔ [“Loading Paper in the Rear Paper Feed” on page 25](#)
- ➔ [“Cleaning the Paper Path” on page 71](#)




---

## Power and Control Panel Problems

### Power Does Not Turn On

- ❑ Hold down the  button for a little longer.
- ❑ Make sure the power cord is securely plugged in.
- ❑ When you cannot turn on the printer when running on battery power, the battery may be running low. Connect the AC adapter, or charge the battery with a USB connection for more than thirty minutes and then turn on the printer again.

### Power Does Not Turn Off

Disconnect the AC adapter and the USB cable. Hold down the  button and the  button at the same time for more than seven seconds, and then release both the buttons. To prevent the print head from drying out, turn the printer back on and turn it off by pressing the  button.

### LCD Screen Gets Dark

The printer is in sleep mode. Press any button on the control panel to return the LCD screen to its former state.

### Power Turns Off Suddenly when the Printer Is Running on the Battery

- ❑ The printer turns off when no operations have not been performed. Turn on the printer again.
- ❑ Check the battery level. If the battery level is low, connect the AC adapter to the printer.

## Solving Problems

### Cannot Charge the Battery from a Computer

- Select **Menu > Battery > Battery Settings** on the control panel, and then enable **USB Power Supply via PC**.
- Make sure the printer is off or in sleep mode.
- Turn on the computer. Wake the computer if it is in hibernate or sleep mode.
- You cannot charge the battery using a USB hub. Connect the printer directly to the computer.
- The computer may be configured not to allow other devices to charge when the computer is running on its battery. Check the computer's settings.


#### Related Information

- ➔ [“Charging the Battery with a USB Connection” on page 52](#)

---

## Printer Does Not Print

Check the following if the printer does not operate or prints nothing.

- Place the printer on a flat surface and operate in the recommended environmental conditions.
- Connect the interface cable securely to the printer and the computer.
- If you are using a USB hub, try to connect the printer directly to the computer.
- If you are using the printer over a network, make sure the printer is connected to the network. You can check the status by checking the indicators on the control panel or by printing the network status sheet. If the printer is not connected to the network, see the *Network Guide*.
- Select **Menu > Battery > Battery Settings** on the control panel, and then disable **USB Power Supply via PC**.
- If you are printing a large image, the computer may not have enough memory. Print the image at a lower resolution or a smaller size.
- In Windows, click **Print Queue** on the printer driver's **Maintenance** tab, and then check the following.
  - Check if there are any paused print jobs.  
Cancel printing if necessary.
  - Make sure the printer is not offline or pending.  
If the printer is offline or pending, clear the offline or pending setting from the **Printer** menu.
  - Make sure the printer is selected as the default printer from the **Printer** menu (there should be a check mark on the menu item).  
If the printer is not selected as the default printer, set it as the default printer.
- In Mac OS X, make sure the printer status is not **Pause**.  
Select **System Preferences** from the  menu > **Printers & Scanners** (or **Print & Scan, Print & Fax**), and then double-click the printer. If the printer is paused, click **Resume** (or **Resume Printer**).
- Perform a nozzle check, and then clean the print head if any of the print head nozzles are clogged.
- You may not be able to use the printer through AirPrint if the necessary protocols or settings have been disabled. Enable AirPrint using Web Config.

#### Related Information

- ➔ [“Canceling Printing” on page 49](#)


➔ “Checking and Cleaning the Print Head” on page 68

---

## Printout Problems

### Print Quality Is Poor

Check the following if the print quality is poor due to blurry prints, banding, missing colors, faded colors, misalignment, and mosaic-like patterns in the prints.

- Use paper supported by this printer.
- Do not print on paper that is damp, damaged, or too old.
- If the paper is curled or the envelope is puffed up, flatten it.
- When printing images or photos, print using high-resolution data. Images on websites are often low resolution although they look good enough on the display, and so print quality may decline.
- Select the appropriate paper type setting in the printer driver for the type of paper loaded in the printer.
- Print using a high quality setting in the printer driver.
- When images or photos are printed in unexpected colors, adjust the color and then print again. The automatic color correction feature uses the standard **PhotoEnhance** correction mode. Try another **PhotoEnhance** correction mode by selecting an option other than **Auto Correct** as the **Scene Correction** setting. If the problem continues, use any other color correction feature other than **PhotoEnhance**.
  - Windows  
Select **Custom** as the **Color Correction** setting on the printer driver's **More Options** tab. Click **Advanced**, and then select anything other than **PhotoEnhance** as the **Color Management** setting.
  - Mac OS X  
Select **Color Matching** from the print dialog's pop-up menu, and then select **EPSON Color Controls**. Select **Color Options** from the pop-up menu, and then select anything other than **PhotoEnhance**.
- Disable the bidirectional (or high speed) setting. When this setting is enabled, the print head prints while moving in both directions, and vertical lines may be misaligned. If you disable this feature, printing may slow down.
  - Windows  
Clear **High Speed** on the printer driver's **More Options** tab.
  - Mac OS X  
Select **System Preferences** from the  menu > **Printers & Scanners** (or **Print & Scan**, **Print & Fax**), and then select the printer. Click **Options & Supplies** > **Options** (or **Driver**). Select **Off** as the **High Speed Printing** setting.
- Select **Menu** > **Plain Paper Density Setting** on the control panel, and then adjust the density.
- Select **Menu** > **Color Adjustment** on the control panel, and then adjust the color.
- Perform a nozzle check, and then clean the print head if any of the print head nozzles are clogged.
- Align the print head.
- If misalignment appears at intervals of 2.5 cm, align the print head.
- Do not stack the paper immediately after printing.



## Solving Problems

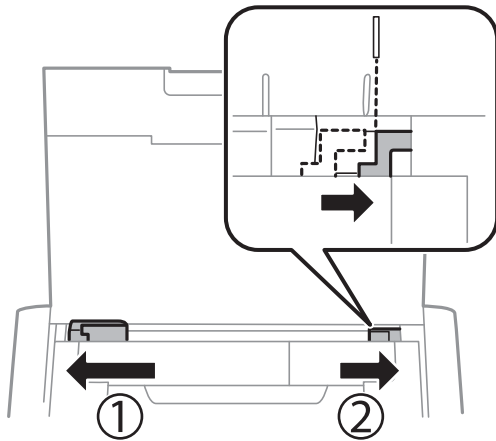
- ❑ Dry the printouts completely before filing or displaying them. When drying the printouts, avoid direct sun light, do not use a dryer, and do not touch the printed side of paper.
- ❑ Try to use genuine Epson ink cartridges. This product is designed to adjust colors based on the use of genuine Epson ink cartridges. The use of non-genuine ink cartridges may cause print quality to decline.
- ❑ Epson recommends using the ink cartridge before the date printed on the package.
- ❑ For best results, use up ink cartridge within six months of opening the package.
- ❑ When printing images or photos, Epson recommends using genuine Epson paper rather than plain paper. Print on the printable side of the genuine Epson paper.

### Related Information

- ➔ [“Paper Handling Precautions” on page 23](#)
- ➔ [“List of Paper Types” on page 25](#)
- ➔ [“Checking and Cleaning the Print Head” on page 68](#)
- ➔ [“Aligning the Print Head” on page 69](#)
- ➔ [“Available Paper and Capacities” on page 24](#)

## The Position, Size, or Margins of the Printout Are Incorrect

- ❑ Load paper in the correct direction, and slide the edge guide against the edge of the paper.
- ❑ If the printout bias toward the right side, and is cropped the right part, the paper may not be loaded in the correct position. Slide the edge guide to far left, slide the part on the right side to far right, and then load paper again.



- ❑ Select the appropriate paper size setting on the control panel or in the printer driver.
- ❑ Adjust the margin setting in the application so that it falls within the printable area.
- ❑ During borderless printing, the image is slightly enlarged and the protruding area is cropped. Adjust the amount of enlargement.
  - ❑ Windows
    - Click **Settings** of the **Borderless** on the printer driver's **Main** tab and select the amount of enlargement.
  - ❑ Mac OS X
    - Adjust the **Expansion** setting from the print dialog's **Print Settings** menu.

## Solving Problems

### Related Information

- ➔ [“Loading Paper in the Rear Paper Feed” on page 25](#)
- ➔ [“Printable Area” on page 93](#)

## Paper Is Smearred or Scuffed

Check the following if the paper is smearred or scuffed when printing.

- Clean the paper path.
- Load paper in the correct direction.
- When performing manual 2-sided printing, make sure that the ink is completely dry before reloading the paper.

### Related Information

- ➔ [“Cleaning the Paper Path” on page 71](#)
- ➔ [“Loading Paper in the Rear Paper Feed” on page 25](#)
- ➔ [“Print Quality Is Poor” on page 88](#)

## Printed Characters Are Incorrect or Garbled

- Connect the interface cable securely to the printer and the computer.
- Cancel any paused print jobs.
- Do not put the computer manually into the **Hibernate** mode or the **Sleep** mode while printing. Pages of garbled text may be printed next time you start the computer.

### Related Information

- ➔ [“Canceling Printing” on page 49](#)

## The Printed Image Is Inverted

Clear any mirror image settings in the printer driver or the application.

- Windows  
Clear **Mirror Image** on the printer driver's **More Options** tab.
- Mac OS X  
Clear **Mirror Image** from the print dialog's **Print Settings** menu.

## The Printout Problem Could Not be Cleared

If you have tried all of the solutions and have not solved the problem, try uninstalling and then reinstalling the printer driver.



### Related Information

- ➔ [“Uninstalling Applications” on page 78](#)

➔ [“Installing Applications” on page 79](#)

---

## Printing Is Too Slow

- When printing continuously for approximately more than 15 minutes, printing slows down to prevent the printer mechanism from overheating and being damaged. However, you can continue printing. To return the printer to normal printing speed, cancel printing, and leave the printer idle for at least 45 minutes with the power on. The printer does not recover if the power is off.
- The printing speed slows down when the printer is running on the battery. Connect the AC adapter to the printer.
- Close any unnecessary applications.
- Lower the quality setting on the printer driver. High quality printing slows down the printing speed.
- Enable the bidirectional (or high speed) setting. When this setting is enabled, the print head prints while moving in both directions, and the printing speed increases.
  - Windows  
Select **High Speed** on the printer driver's **More Options** tab.
  - Mac OS X  
Select **System Preferences** from the  menu > **Printers & Scanners** (or **Print & Scan**, **Print & Fax**), and then select the printer. Click **Options & Supplies** > **Options** (or **Driver**). Select **On** as the **High Speed Printing** setting.
- Disable quiet mode. This feature slows down the printing speed.
  - Control Panel  
From the home screen, select **Menu** > **Printer Setup** > **Quiet Mode**, and then disable it.
  - Windows  
Select **Off** as the **Quiet Mode** setting on the printer driver's **Main** tab.
  - Mac OS X  
Select **System Preferences** from the  menu > **Printers & Scanners** (or **Print & Scan**, **Print & Fax**), and then select the printer. Click **Options & Supplies** > **Options** (or **Driver**). Select **Off** as the **Quiet Mode** setting.
- Select **Menu** > **Plain Paper Density Setting** on the control panel, and then select **Standard**.

---

## Other Problems

### Slight Electric Shock when Touching the Printer

If many peripherals are connected to the computer, you may feel a slight electric shock when touching the printer. Install a ground wire to the computer that is connected to the printer.

## Solving Problems

### Operation Sounds Are Loud

If operations sounds are too loud, enable quiet mode. However, this may slow down printer operations.


Control Panel

From the home screen, select **Menu > Printer Setup > Quiet Mode**, and then enable it.

Windows printer driver

Select **On** as the **Quiet Mode** setting on the **Main** tab.

Mac OS X printer driver

Select **System Preferences** from the  menu > **Printers & Scanners** (or **Print & Scan, Print & Fax**), and then select the printer. Click **Options & Supplies > Options** (or **Driver**). Select **On** as the **Quiet Mode** setting.

### Application Is Blocked by a Firewall (for Windows Only)

Add the application to the Windows Firewall allowed program in security settings on the **Control Panel**.

# Appendix

## Technical Specifications

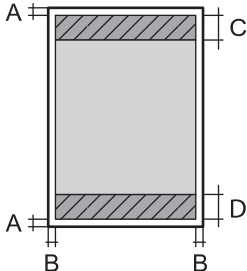
### Printer Specifications

Print Head Nozzle Placement		Black ink nozzles: 180 Color ink nozzles: 59 for each color
Weight of Paper	Plain Paper	64 to 90 g/m <sup>2</sup> (17 to 24lb)
	Envelopes	Envelope #10, DL, C6: 75 to 90 g/m <sup>2</sup> (20 to 24 lb)

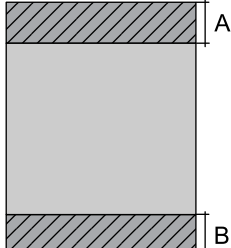
### Printable Area

Print quality may decline in the shaded areas due to the printer's mechanism.

#### Single sheets (normal printing)

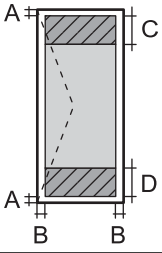
	A	3.0 mm (0.12 in.)
	B	Except for Letter and Legal: 3.0 mm (0.12 in.) Letter, Legal: 6.0 mm (0.24 in.)
	C	36.0 mm (1.42 in.)
	D	37.0 mm (1.46 in.)

#### Single sheets (borderless printing)

	A	39.0 mm (1.54 in.)
	B	40.0 mm (1.57 in.)

## Appendix

### Envelopes

	A	3.0 mm (0.12 in.)
	B	5.0 mm (0.20 in.)
	C	18.0 mm (0.71 in.)
	D	36.0 mm (1.42 in.)

### Interface Specifications

For Computer	Hi-Speed USB
--------------	--------------

### Wi-Fi Specifications

Standards	IEEE802.11b/g/n
Frequency Range	2.4 GHz
Coordination Modes	Infrastructure, Ad hoc <sup>*1</sup> , Wi-Fi Direct <sup>*2*3</sup>
Wireless Securities	WEP (64/128bit), WPA2-PSK (AES) <sup>*4</sup>

\*1 Not supported for IEEE 802.11n.

\*2 Not supported for IEEE 802.11b.

\*3 Simple AP mode is compatible with Wi-Fi connection (infrastructure).

\*4 Complies with WPA2 standards with support for WPA/WPA2 Personal.

### Security Protocol

SSL/TLS	HTTPS Server/Client, IPPS
---------	---------------------------

### Supported Third Party Services

AirPrint	Print	iOS 5 or later/Mac OS X v10.7.x or later
Google Cloud Print		

## Appendix

### Dimensions

Dimensions	<p>Storage</p> <ul style="list-style-type: none"> <li>❑ Width: 309 mm (12.2 in.)</li> <li>❑ Depth: 154 mm (6.1 in.)</li> <li>❑ Height: 61 mm (2.4in.)</li> </ul> <p>Printing</p> <ul style="list-style-type: none"> <li>❑ Width: 309 mm (12.2 in.)</li> <li>❑ Depth: 232 mm (9.1 in.)</li> <li>❑ Height: 217 mm (8.5in.)</li> </ul>
Weight*	Approx. 1.6 kg (3.5 lb)

\* Without the ink cartridges and the AC adapter.

### Electrical Specifications

#### AC Adapter

Model		A461H	A462E
Input	Rated Input Power Supply Voltage	AC 100V to 240 V	AC 220V to 240 V
	Rated Input Current	1 A	1 A
	Rated Frequency Range	50 to 60Hz	50 to 60Hz
Output	Rated Output Power Supply Voltage	DC 24 V	DC 24 V
	Rated Output Current	1 A	1 A

#### Printer Electrical Specifications (Using the AC Adapter)

Rated DC Input	Rated DC Input Power Supply Voltage	DC 24 V
	Rated DC Input Current (Not Charging Battery)	0.6 A
	Rated DC Input Current (Charging Battery)	0.7 A

## Appendix

Power Consumption (with USB Connection)	Not Charging Battery	Printing: Approx. 11 W (ISO/IEC24712) Ready mode: Approx. 4 W Sleep mode: Approx. 1.3 W Power off: Approx. 0.3 W
	Charging Battery	Printing: Approx. 14 W (ISO/IEC24712) Ready mode: Approx. 14 W Sleep mode: Approx. 12 W Power off: Approx. 11 W

**Note:**

Check the label on the printer for its voltage.

### Battery Specifications

Type	Li-ion
Rated Power Supply Voltage	3.6 V
Capacity of Current	1860 mAh
Continuous Number of Prints* <sup>1</sup>	Color: Approx. 50 sheets Monochrome: Approx. 100 sheets
Charging Time* <sup>2</sup>	AC Adapter: Approx. 2.5 hours* <sup>3</sup> USB Port (5 V/0.5 A): Approx. 10 hours USB Port (5 V/1.5A): Approx. 2.5 hours

\*1 The value that is measured when printing A4 size ISO/IEC24712 patterns with a fully-charged new battery in an environment of 25°C.

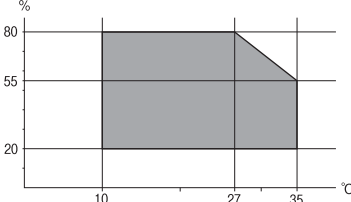
\*2 The value that is measured when charging the battery with the power off in an environment of 25°C. If you operate the printer while charging the battery, the charging time is longer.

\*3 5 minutes charging allows you to print approximately 4 sheets of A4 size ISO/IEC24712 pattern in monochrome, or approximately 2 sheets of A4 size ISO/IEC24712 pattern in color.



Appendix

## Environmental Specifications

<p>Operation</p>	<p>Use the printer within the range shown in the following graph.</p>  <p>Temperature: 10 to 35 °C (50 to 95 °F)</p> <p>Operational Guaranteed Temperature Using the AC Adapter: 0 to 40 °C (32 to 104 °F)</p> <p>Operational Guaranteed Temperature Running on the Battery: 5 to 40 °C (41 to 104 °F)</p> <p>Humidity: 20 to 80% RH (without condensation)</p>
<p>Storage</p>	<p>Temperature: -30 to 60 °C (-22 to 140 °F)*</p> <p>Humidity: 5 to 85% RH (without condensation)</p>

\* You can store for one week at 60 °C (140 °F).

## Environmental Specifications for Ink Cartridges

<p>Storage Temperature</p>	<p>-30 to 40 °C (-22 to 104 °F)*</p>
<p>Freezing Temperature</p>	<p>-16 °C (3.2 °F)</p> <p>Ink thaws and is usable after approximately 3 hours at 25 °C (77 °F).</p>

\* You can store for one month at 40 °C (104 °F).

## System Requirements

- Windows 8.1 (32-bit, 64-bit)/Windows 8 (32-bit, 64-bit)/Windows 7 (32-bit, 64-bit)/Windows Vista (32-bit, 64-bit)/Windows XP Professional x64 Edition/Windows XP (32-bit)/Windows Server 2012 R2/Windows Server 2012/Windows Server 2008 R2/Windows Server 2008 (32-bit, 64-bit)/Windows Server 2003 R2 (32-bit, 64-bit)/Windows Server 2003 (32-bit, 64-bit)
- Mac OS X v10.9.x/Mac OS X v10.8.x/Mac OS X v10.7.x/Mac OS X v10.6.8

**Note:**

- Mac OS X may not support some applications and features.
- The UNIX File System (UFS) for Mac OS X is not supported.

# Regulatory Information

## Standards and Approvals

### Standards and Approvals for U.S. Model

#### Product

EMC	FCC Part 15 Subpart B Class B CAN/CSA-CEI/IEC CISPR 22 Class B
-----	---

This equipment contains the following wireless module.

Manufacturer: Askey Computer Corporation

Type: WLU6320-D69 (RoHS)

This product conforms to Part 15 of the FCC Rules and RSS-210 of the IC Rules. Epson cannot accept responsibility for any failure to satisfy the protection requirements resulting from a non-recommended modification of the product. Operation is subject to the following two conditions: (1) this device may not cause harmful interference, and (2) this device must accept any interference received, including interference that may cause undesired operation of the device.

To prevent radio interference to the licensed service, this device is intended to be operated indoors and away from windows to provide maximum shielding. Equipment (or its transmit antenna) that is installed outdoors is subject to licensing.

#### AC adapter

Safety	UL60950-1 CAN/CSA-C22.2 No.60950-1
EMC	FCC Part 15 Subpart B Class B CAN/CSA-CEI/IEC CISPR 22 Class B

### Standards and Approvals for European Model

#### Product

EMC directive 2004/108/EC	EN55022 Class B EN61000-3-2 EN61000-3-3 EN55024
---------------------------	--

## Appendix

R&TTE directive 1999/5/EC	EN300 328 EN301 489-1 EN301 489-17 EN60950-1
---------------------------	---

For European users

We, Seiko Epson Corporation, hereby declare that the following equipment Model is in compliance with the essential requirements and other relevant provisions of Directive 1999/5/EC:

B581A

For use only in Ireland, UK, Austria, Germany, Liechtenstein, Switzerland, France, Belgium, Luxemburg, Netherlands, Italy, Portugal, Spain, Denmark, Finland, Norway, Sweden, Iceland, Croatia, Cyprus, Greece, Slovenia, Malta, Bulgaria, Czech, Estonia, Hungary, Latvia, Lithuania, Poland, Romania, and Slovakia.

Epson cannot accept responsibility for any failure to satisfy the protection requirements resulting from a non-recommended modification of the products.



### AC adapter

Low voltage directive 2006/95/EC	EN60950-1
EMC directive 2004/108/EC	EN55022 Class B EN61000-3-2 EN61000-3-3 EN55024

## Standards and Approvals for Australian Model

### Product

EMC	AS/NZS CISPR22 Class B
-----	------------------------

Epson hereby declares that the following equipment Models are in compliance with the essential requirements and other relevant provisions of AS/NZS4268:

B581A

Epson cannot accept responsibility for any failure to satisfy the protection requirements resulting from a non-recommended modification of the product.

### AC adapter

EMC	AS/NZS CISPR22 Class B
-----	------------------------

## Restrictions on Copying

Observe the following restrictions to ensure the responsible and legal use of the printer.

Copying of the following items is prohibited by law:

- Bank bills, coins, government-issued marketable securities, government bond securities, and municipal securities
- Unused postage stamps, pre-stamped postcards, and other official postal items bearing valid postage
- Government-issued revenue stamps, and securities issued according to legal procedure

Exercise caution when copying the following items:

- Private marketable securities (stock certificates, negotiable notes, checks, etc.), monthly passes, concession tickets, etc.
- Passports, driver's licenses, warrants of fitness, road passes, food stamps, tickets, etc.

**Note:**

*Copying these items may also be prohibited by law.*

Responsible use of copyrighted materials:

Printers can be misused by improperly copying copyrighted materials. Unless acting on the advice of a knowledgeable attorney, be responsible and respectful by obtaining the permission of the copyright holder before copying published material.

---

## Moving and Transporting the Printer


 **Important:**

- Strong impacts may damage the printer.
- Leave the ink cartridges installed. Removing the cartridges can dry out the print head and may prevent the printer from printing.
- Do not remove the maintenance box; otherwise ink may leak.
- Do not leave the printer in direct sunlight, near heaters, inside cars or other locations that are subject to high temperatures. The printer may be deformed or ink may leak.

**Note:**

*If print quality has declined the next time you print, clean and align the print head.*

### Moving Indoors or Outdoors

 **Important:**

*We recommend taking the printer as hand luggage on airplanes. Contact your airline to confirm if you can take the device on their airplanes. Depending on handling at the airport, the printer could be damaged or ink may leak due to strong impacts.*

- Turn off the printer, and make sure the power light and the LCD screen turn off.
- Disconnect the AC adapter and the USB cable.
- Close the printer cover to carry the printer.

## Appendix

- ❑ Do not put anything on the printer.

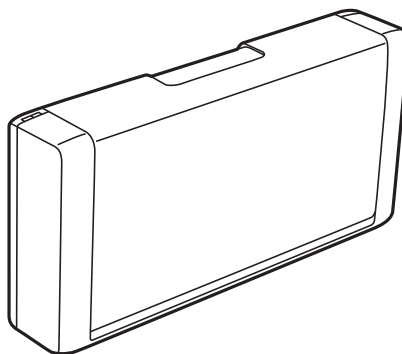
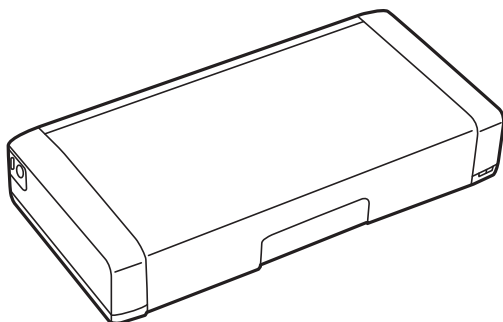
### Transporting

Prepare the printer for transport, pack it in its box using the protective materials, and then transport the printer.



**Important:**

*When transporting the printer, place the printer as shown in the illustration.*



### Related Information

- ➔ “Part Names and Functions” on page 16
- ➔ “Checking and Cleaning the Print Head” on page 68
- ➔ “Aligning the Print Head” on page 69

---

## Where to Get Help

### Technical Support Web Site

If you need further help, visit the Epson support website shown below. Select your country or region and go to the support section of your local Epson website. The latest drivers, FAQs, manuals, or other downloadables are also available from the site.

<http://support.epson.net/>

<http://www.epson.eu/Support> (Europe)

If your Epson product is not operating properly and you cannot solve the problem, contact Epson support services for assistance.

## Contacting Epson Support

### Before Contacting Epson

If your Epson product is not operating properly and you cannot solve the problem using the troubleshooting information in your product manuals, contact Epson support services for assistance. If Epson support for your area is not listed below, contact the dealer where you purchased your product.

Epson support will be able to help you much more quickly if you give them the following information:

- Product serial number  
(The serial number label is usually on the back of the product.)
- Product model
- Product software version  
(Click **About**, **Version Info**, or a similar button in the product software.)
- Brand and model of your computer
- Your computer operating system name and version
- Names and versions of the software applications you normally use with your product

**Note:**

*Depending on the product, the dial list data for fax and/or network settings may be stored in the product's memory. Due to breakdown or repair of a product, data and/or settings may be lost. Epson shall not be responsible for the loss of any data, for backing up or recovering data and/or settings even during a warranty period. We recommend that you make your own backup data or take notes.*

### Help for Users in Europe

Check your Pan-European Warranty Document for information on how to contact Epson support.

### Help for Users in Taiwan

Contacts for information, support, and services are:

#### World Wide Web

<http://www.epson.com.tw>

Information on product specifications, drivers for download, and products enquiry are available.

#### Epson HelpDesk (Phone: +02-80242008)

Our HelpDesk team can help you with the following over the phone:

- Sales enquiries and product information
- Product usage questions or problems
- Enquiries on repair service and warranty

## Appendix

### Repair service center:

Telephone number	Fax number	Address
02-23416969	02-23417070	No.20, Beiping E. Rd., Zhongzheng Dist., Taipei City 100, Taiwan
02-27491234	02-27495955	1F., No.16, Sec. 5, Nanjing E. Rd., Songshan Dist., Taipei City 105, Taiwan
02-32340688	02-32340699	No.1, Ln. 359, Sec. 2, Zhongshan Rd., Zhonghe City, Taipei County 235, Taiwan
039-605007	039-600969	No.342-1, Guangrong Rd., Luodong Township, Yilan County 265, Taiwan
038-312966	038-312977	No.87, Guolian 2nd Rd., Hualien City, Hualien County 970, Taiwan
03-4393119	03-4396589	5F., No.2, Nandong Rd., Pingzhen City, Taoyuan County 32455, Taiwan
03-5325077	03-5320092	1F., No.9, Ln. 379, Sec. 1, Jingguo Rd., North Dist., Hsinchu City 300, Taiwan
04-23011502	04-23011503	3F., No.30, Dahe Rd., West Dist., Taichung City 40341, Taiwan
04-2338-0879	04-2338-6639	No.209, Xinxing Rd., Wuri Dist., Taichung City 414, Taiwan
05-2784222	05-2784555	No.463, Zhongxiao Rd., East Dist., Chiayi City 600, Taiwan
06-2221666	06-2112555	No.141, Gongyuan N. Rd., North Dist., Tainan City 704, Taiwan
07-5520918	07-5540926	1F., No.337, Minghua Rd., Gushan Dist., Kaohsiung City 804, Taiwan
07-3222445	07-3218085	No.51, Shandong St., Sanmin Dist., Kaohsiung City 807, Taiwan
08-7344771	08-7344802	1F., No.113, Shengli Rd., Pingtung City, Pingtung County 900, Taiwan

## Help for Users in Australia

Epson Australia wishes to provide you with a high level of customer service. In addition to your product manuals, we provide the following sources for obtaining information:

### Internet URL

<http://www.epson.com.au>

Access the Epson Australia World Wide Web pages. Worth taking your modem here for the occasional surf! The site provides a download area for drivers, Epson contact points, new product information and technical support (e-mail).

### Epson Helpdesk

Epson Helpdesk is provided as a final backup to make sure our clients have access to advice. Operators on the Helpdesk can aid you in installing, configuring and operating your Epson product. Our Pre-sales Helpdesk staff can provide literature on new Epson products and advise where the nearest dealer or service agent is located. Many types of queries are answered here.

The Helpdesk numbers are:

## Appendix

Phone: 1300 361 054

We encourage you to have all the relevant information on hand when you ring. The more information you prepare, the faster we can help solve the problem. This information includes your Epson product manuals, type of computer, operating system, application programs, and any information you feel is required.

### Help for Users in Singapore

Sources of information, support, and services available from Epson Singapore are:

#### World Wide Web

<http://www.epson.com.sg>

Information on product specifications, drivers for download, Frequently Asked Questions (FAQ), Sales Enquiries, and Technical Support via e-mail are available.

#### Epson HelpDesk (Phone: (65) 6586 3111)

Our HelpDesk team can help you with the following over the phone:

- Sales enquiries and product information
- Product usage questions or problems
- Enquiries on repair service and warranty

### Help for Users in Indonesia

Contacts for information, support, and services are:

#### World Wide Web

<http://www.epson.co.id>

- Information on product specifications, drivers for download
- Frequently Asked Questions (FAQ), Sales Enquiries, questions through e-mail

#### Epson Hotline

Phone: 62-1500-766

Fax: 62-21-808-66-799

Our Hotline team can help you with the following over the phone or fax:

- Sales enquiries and product information
- Technical support



## Appendix

## Epson Service Center

Province	Company Name	Address	Phone E-mail
DKI JAKARTA	ESS Jakarta MG. DUA	RUKO MANGGA DUA MALL NO. 48 JL. ARTERI MANGGA DUA - JAKARTA UTARA-DKI	(+6221)62301104 jkt-technical1@epson-indonesia.co.id
NORTH SUMATERA	ESC Medan	Kompleks Graha Niaga, Jl. Bambu II No. A-4, Medan- 20114	(+6261)42066090/42066091 mdn-technical@epson-indonesia.co.id
WEST JAWA	ESC Bandung	JL. CIHAMPELAS NO. 48A-BANDUNG JABAR 40116	(+6222)4207033 bdg-technical@epson-indonesia.co.id
DI YOGYAKARTA	ESC Yogyakarta	YAP Square, Blok A No.6 Jl. C Simanjutak YOGYAKARTA - DIY	(+62274)581065 ygy-technical@epson-indonesia.co.id
EAST JAWA	ESC Surabaya	HITECH MALL LT.2 BLOK A NO. 24 JL. KUSUMA BANGSA NO. 116 -118 - SURABAYA JATIM	(+6231)5355035 sby-technical@epson-indonesia.co.id
SOUTH SULAWESI	ESC Makassar	JL. GUNUNG BAWAKARAENG NO. 68E - MAKASSAR SULSEL	(+62411)328212 mksr-technical@epson-indonesia.co.id
WEST KALIMANTAN	ESC Pontianak	JL. NUSA INDAH I NO. 40A PONTIANAK KALBAR 78117	(+62561)735507 pontianak-technical@epson-indonesia.co.id
PEKANBARU	ESC PEKANBARU	JL. TUANKU TAMBUSAI NO. 353 - PEKANBARU RIAU	(+62761)21420 pkb-technical@epson-indonesia.co.id
DKI JAKARTA	ESS JAKARTA KEIAI	WISMA KEIAI LT. 1 JL. JEND. SUDIRMAN KAV. 3 JAKPUS DKI JAKARTA	(+6221)5724335 ess.support@epson-indonesia.co.id
EAST JAWA	ESS SURABAYA	JL. JAWA NO. 2-4 KAV. 29, RUKO SURYA INTI, SURABAYA - JATIM	(+6231)5014949 esssby.support@epson-indonesia.co.id
BANTEN	ESS SERPONG	Ruko mall WTC MATAHARI no. 953 SERPONG - Banten	(+6221)53167051 esstag.support@epson-indonesia.co.id
CENTRAL JAWA	ESS SEMARANG	Komplek Ruko Metro Plaza Blok C20 , Jl. MT Haryono No 970 Semarang - Jawa tengah	(+6224)8313807 esssmg.support@epson-indonesia.co.id

## Appendix

Province	Company Name	Address	Phone E-mail
EAST KALIMANTAN	ESC SAMARINDA	Jl. KH. Wahid Hasyim (M. Yamin) Kel. Sempaja Selatan Kec. Samarinda Utara Samarinda- Kalimantan Timur (samping kantor pos)	(+62541)7272904 escsmd.support@epson-indonesia.co.id
SOUTH SUMATERA	ESC PALEMBANG	Jl. H.M. Rasyid Nawawi no.249, kelurahan 9 ilir Palembang - Sumsel	(+62711)311330 escplg.support@epson-indonesia.co.id
EAST JAVA	ESC JEMBER	Jl. Panglima Besar Sudirman No.1 D JEMBER - JAWA TIMUR (Depan Balai Penelitian dan Pengolahan Kakao)	(+62331) 486468,488373 jmr-admin@epson-indonesia.co.id jmr-technical@epson-indonesia.co.id
NORTH SULAWESI	ESC MANADO	Tekno @Megamall, Megamall LG TK-21 Jl. Piere Tendean Kawasan Megamas Boulevard Manado 95111	(+62431)7210033 MND-ADMIN@EPSON-INDONESIA.CO.ID

For other cities not listed here, call the Hot Line: 08071137766.

## Help for Users in Hong Kong

To obtain technical support as well as other after-sales services, users are welcome to contact Epson Hong Kong Limited.

### Internet Home Page

Epson Hong Kong has established a local home page in both Chinese and English on the Internet to provide users with the following information:

- Product information
- Answers to Frequently Asked Questions (FAQs)
- Latest versions of Epson product drivers

Users can access our World Wide Web home page at:

<http://www.epson.com.hk>

### Technical Support Hotline

You can also contact our technical staff at the following telephone and fax numbers:

Phone: (852) 2827-8911

Fax: (852) 2827-4383

## Help for Users in Malaysia

Contacts for information, support, and services are:

## Appendix

### World Wide Web

<http://www.epson.com.my>

- Information on product specifications, drivers for download
- Frequently Asked Questions (FAQ), Sales Enquiries, questions through e-mail

### Epson Trading (M) Sdn. Bhd.

Head Office:

Phone: 603-56288288

Fax: 603-56288388/399

Epson Helpdesk:

- Sales enquiries and product information (Infoline)  
Phone: 603-56288222
- Enquiries on repair services & warranty, product usage and technical support (Techline)  
Phone: 603-56288333

## Help for Users in India

Contacts for information, support, and services are:

### World Wide Web

<http://www.epson.co.in>

Information on product specifications, drivers for download, and products enquiry are available.

### Epson India Head Office - Bangalore

Phone: 080-30515000

Fax: 30515005

### Epson India Regional Offices:

Location	Telephone number	Fax number
Mumbai	022-28261515/16/17	022-28257287
Delhi	011-30615000	011-30615005
Chennai	044-30277500	044-30277575
Kolkata	033-22831589/90	033-22831591
Hyderabad	040-66331738/39	040-66328633
Cochin	0484-2357950	0484-2357950
Coimbatore	0422-2380002	NA
Pune	020-30286000/30286001/30286002	020-30286000
Ahmedabad	079-26407176/77	079-26407347

## Appendix

### Helpline

For Service, Product info or to order a cartridge - 18004250011 (9AM - 9PM) - This is a Toll-free number.

For Service (CDMA & Mobile Users) - 3900 1600 (9AM - 6PM) Prefix local STD code

### Help for Users in the Philippines

To obtain technical support as well as other after sales services, users are welcome to contact the Epson Philippines Corporation at the telephone and fax numbers and e-mail address below:

Trunk Line: (63-2) 706 2609

Fax: (63-2) 706 2665

Helpdesk Direct Line: (63-2) 706 2625

E-mail: [epchelpdesk@epc.epson.com.ph](mailto:epchelpdesk@epc.epson.com.ph)

### World Wide Web

<http://www.epson.com.ph>

Information on product specifications, drivers for download, Frequently Asked Questions (FAQ), and E-mail Enquiries are available.

### Toll-Free No. 1800-1069-EPSON (37766)

Our Hotline team can help you with the following over the phone:

- Sales enquiries and product information
- Product usage questions or problems
- Enquiries on repair service and warranty