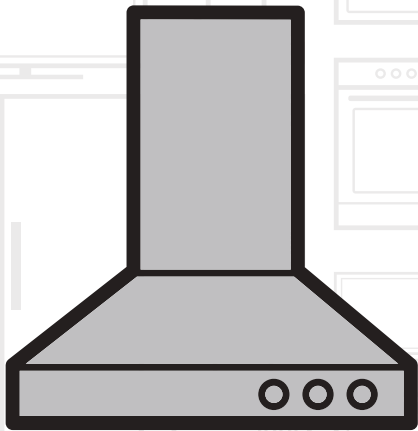


Cooker Hood

User Manual



HNT61310X

EN | RO | SR | BS | MK | SQ

beko

01M-8864613200-3917-01


Please read this user manual first!

Dear Customer,

Thank you for preferring a Beko product. We hope that you get the best results from your product which has been manufactured with high quality and state-of-the-art technology. Therefore, please read this entire user manual and all other accompanying documents carefully before using the product and keep it as a reference for future use. If you handover the product to someone else, give the user manual as well. Follow all warnings and information in the user manual.

Meanings of the symbols

Following symbols are used in the various section of this manual:

	Important information or useful hints about usage.
---	--

	WARNING: Warning for hazardous situations with regard to life and property.
---	--

	Warning for electric shock.
--	-----------------------------

	Warning for hot surfaces.
---	---------------------------



This product has been produced in environmentally friendly, modern facilities

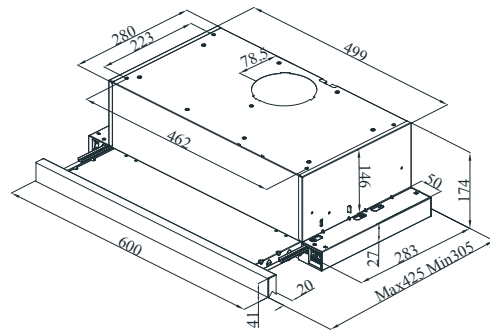
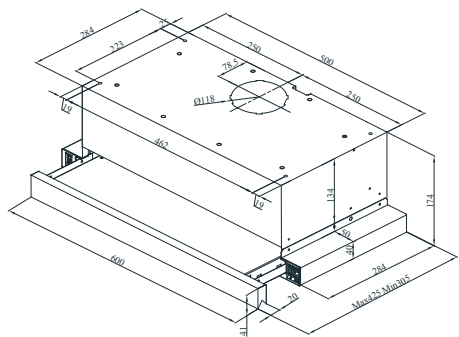
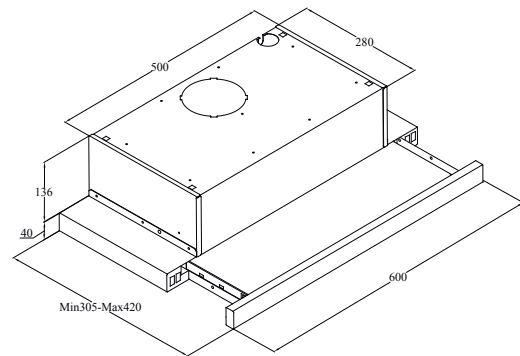
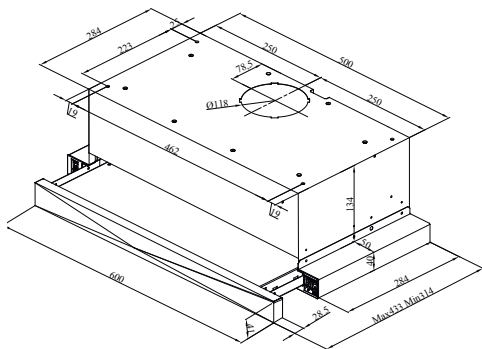
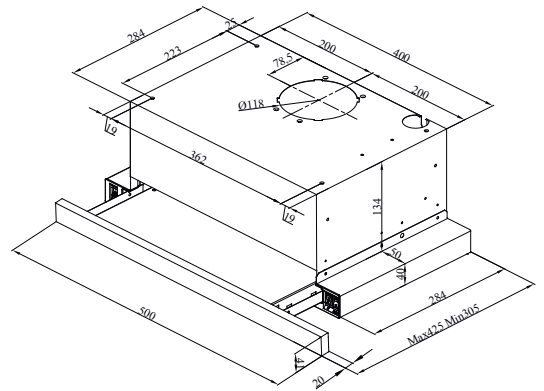
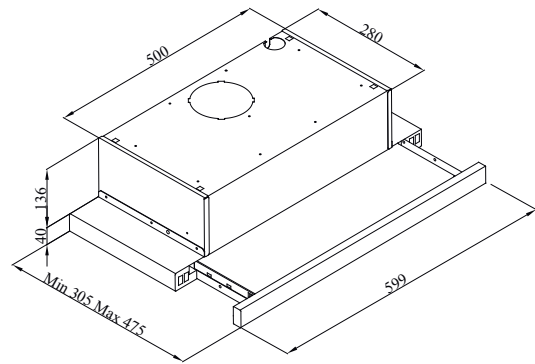
Complies with the WEEE
Regulation.



Does not contain PCB.

CONTENTS

ENGLISH	04-22
ROMÂNĂ	23-42
СРПСКИ	43-62
BOSANSKI	63-82
МАКЕДОНСКИ	83-102
SHQIPTARE	103-122



HNT 61310 X

Fig. 1: Technical sketch

1

Important safety and environmental instructions

- This appliance can be used by children from the age of 8 up as well as by people with reduced physical, sensory or mental abilities or with lacking experience and/or knowledge, if these people are supervised or have been instructed how to use the appliance in a safe way and have understood the hazards which could arise from using it.
- This appliance is intended to be used in a household environment.
- Power supply: 220-240 V~ 50 Hz.
- The electrical safety of the appliance is only assured when it is connected to a properly installed protective earth (PE) conductor system. Connection to a mains socket without PE conductor is forbidden.
- If in doubt, the electrical system must be checked by an authorized service agent.
- Unqualified installation may result in low performance, product damage, deterioration or accidents.
- Prevent damage to the power cable by not squeezing, bending, or rubbing it on sharp edges. Keep the power cable away from hot surfaces and open flame.
- Don't plug in the appliance before proper installation.
- Place the appliance so that the plug is always accessible.
- Never touch the cooker hood's lamp after long periods of operation, wait until it has cooled down. Hot lamps may burn your skin.
- The appliance is intended for use in homes and similar cooking applications, failure to follow these instructions invalidates the granted warranty.
- Observe the rules set by authorities on the discharge of exhaust air. (This warning does not apply to use without exhaust pipe).
- Flambè cooking is prohibited underneath the cooker hood.
- Switch on the appliance after placing the pan, pot, etc. on the stove, otherwise, the high temperature can cause deformation of parts of the appliance.

1

Important safety and environmental instructions

- Switch off the burner before removing the pan, pot, etc. off the stove.
- Do not leave hot oil on the cooker. Dishwashers containing hot oil may cause fire.
- Because oil can catch fire when roasting specific foods, pay attention to curtains and tablecloths.
- Make sure the appliance filters are replaced in due time.
- Non-replaceable filters present a fire risk due to the accumulated fat inside them.
- Do not use fire-resistant filter materials instead of the usual filters.
- Do not use the appliance without a filter and do not remove the filters while the appliance is turned on.
- In the event of a fire, disconnect the hood and the cooking appliances. (Disconnect the appliance or turn off the main switch).
- If periodic cleaning of your product is not done in a timely manner, there could be a fire risk.
- Disconnect the appliance before servicing. (Disconnect the appliance or turn off the main switch).
- If the hood is used at the same time as appliances using fuels other than electricity, the negative pressure in the room should not exceed 4 Pa (4 x 10 bar).
- Fuel burners such as room heating systems that are in the same environment as your product must be completely insulated from the exhaust system of this product or must be hermetically sealed.
- When connecting to an outlet pipe, use 150 mm or 120 mm diameter pipes.
- The length of the connecting pipe as well as the number of L-pieces should be as small as possible.
- Children should not play with the appliance.
- For safety, use a "MAX 6 A" fuse in the cooker hood system.
- Because packaging materials may be dangerous, keep them out of the reach of children.

1

Important safety and environmental instructions

- If the power cord is damaged, it must be replaced by the manufacturer, the technical service representative or personnel with similar qualifications to avoid any danger.
- In the event of a fire, disconnect the hood and the cooking appliances and cover the flame. Never use water to extinguish fire.
- When cooking appliances are in operation, their accessible parts may be hot.
- This appliance may not be used by people with reduced physical, sensory or mental capabilities (including children) or people without adequate experience and knowledge of its use unless supervised by a person responsible for the safety of the appliance.
- After installing the hood, the minimum distance must be 65 cm between the product and any other electric cooker and 75 cm between the product and other gas cookers or cooking appliances using other fuels.
- The hood outlet pipe must not be connected to smoke extraction ducts from other appliances.
- Care should be taken when the device is used simultaneously with other devices that use the same air in the same environment (eg gas, diesel, coal or wood, boiler, etc.). This is due to the fact that the hood can reduce the combustion as it releases air into the room atmosphere.
- This warning does not apply in case of using the appliance without an evacuation duct.
- When the cooker hood is used at the same time with gas or other fuel devices, the room must be sufficiently ventilated (this may not apply to devices that evacuate the air back into the room).
- Simultaneous operation of multiple cookers leads to a large amount of heat generation. Therefore, a ventilation device placed on the cooking surface may be damaged or burned. Do not use two gas cookers in high heat conditions for more than 15 minutes. A large burner with a working capacity of more than 5 kW has a power equal to that of two gas burners.

1

Important safety and environmental instructions

1.1 Compliance with the WEEE Directive and disposal of waste products



This product does not include harmful and prohibited materials specified in the "Regulation for Supervision of the Waste Electric and Electronic Appliances" issued by the Ministry of Environment and Urban Planning. Complies with the WEEE Directive. This product has been manufactured with high quality parts and materials which can be reused and are suitable for recycling.

Therefore, do not dispose the product with normal domestic waste at the end of its service life. Take it to a collection point for the recycling of electrical and electronic equipment. Ask the local authority in your area for these collection points. Help protect the environment and natural resources by recycling used products.

Compliance with RoHS Directive:

The purchased product complies with EU RoHS Directive (2011/65 / EU). It does not contain the hazardous and prohibited materials specified in this Directive.

1.2 Package information



Package of the product is made of recyclable materials in accordance with our National Legislation. Do not dispose of the packaging materials together with the domestic or other wastes. Take them to the packaging material collection points designated by the local authorities.

2 Safety warnings

2.1 Safety warnings



WARNING: There is a risk of death and poisoning due to reabsorbent combustion gases. During the use of the exhaust system, do not use the appliance together with other devices emitting toxic gases through exhaust pipes, such as air, gas, coal or wood, boiler, heaters water, etc. unless there is an adequate airflow during use.

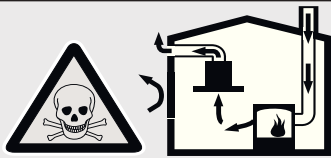


Fig.2 Danger of poisoning

Air recirculation devices (eg gas, gas, wood or coal heating systems, boilers, water heaters) take up the combustion air at the installation site and evacuate the waste gases through a waste gas system (eg exhaust pipe). When the hood is active, it sucks the air from the kitchen and neighboring rooms. If the air intake is inadequate, vacuum may be created. In this case, toxic gases are absorbed from the exhaust pipe and waste gas channel and enter again into the room. Fig. 2

For this reason, an adequate intake of fresh air should always be maintained. Fig. 3

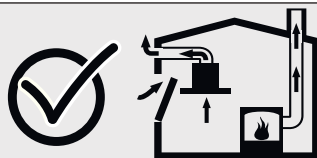


Fig.3



DANGER: Fire hazard! Because of the sparks, installing the device on a solid fuel heater (eg wood or charcoal) is only permitted if there is a non-removable cover. For the installation process, attention must be paid to current building regulations and regulations of local electricity and gas companies. If the device is not cleaned according to the cleaning instructions, it may generate fire.

2.2 Electric shock hazard



DANGER: Do not bend or squeeze the power cable during the installation process.

2.3 Risk of injury!



DANGER:

- During installation, there is a risk of injury due to sharp edges. Always use protective gloves while installing the device.
- All bolts and safety caps must be fitted as described in the owner's manual because of the risk of the device falling.

2 Safety warnings

2.4 Risk of burns, electric shock danger



DANGER:

- Allow the appliance to cool before cleaning or maintenance. Disconnect the fuse or disconnect the appliance from the main socket.
- There is a risk of damage due to moisture infiltration of electronic parts. Do not clean the controls with a damp cloth.
- Improper cleaning may damage the surface. When cleaning stainless steel surfaces always follow the furbishing direction. Do not use stainless steel cleaning products when cleaning controls.
- Aggressive cleaning or abrasive cleaning products may damage the surface. Never use chemical aggressive or abrasive cleaning agents.
- There is a risk of damage due to condensation reflux. Install the air outlet tubes downward from the appliance (1° slope).



If the appliance is damaged or not working, disconnect the fuse or disconnect the appliance power cord and call an authorized service center.



If the power cord is damaged, it must be replaced by the manufacturer, the technical service representative or personnel with similar qualifications to avoid any danger.



If the bulbs do not work, disconnect the fuse or disconnect the appliance power cord. To avoid overloading other light bulbs, immediately replace the disfunctional bulbs (wait until the lamp is cool).



CAUTION: When used with cooking machines, accessible parts may become hot.



DANGER: The air outlet of this device must never be connected to flue gas discharge ducts from other gas machines or other gas appliances.

2.5 Risk of fire and physical injury!



DANGER: If the repairs are not performed in accordance with the regulations or the requirements, turn off the fuse or disconnect the power cord of your machine. Repairs must only be carried out by the authorized technical service representative or specialist personnel.

3 Instructions for use

You can use this appliance in exhaust air mode and ventilated air mode.

3.1 Exhaust air mode

The suction air is cleaned by the grease filters and is discharged through a piping system.

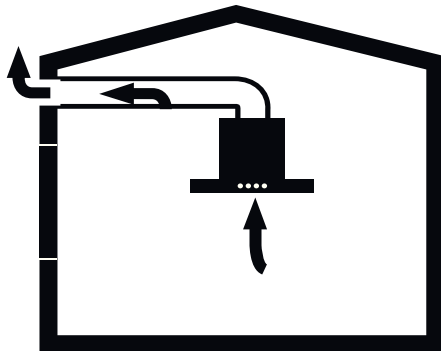


Fig. 4: Air exhaustion without carbon filter



WARNING: Risk of death!

Reabsorbed exhaust gases might cause poisoning. Exhaust air should not be transferred to a non-smoke exhaust tube or waste gases tube, or an exhaust pipe used for ventilation of certain places where heat sources are installed.

- If you want to transfer the exhaust air in a smoke evacuation tube or waste gases tube you have to get the permission of an authorized chimney cleaner.
- If the exhaust air is drained through the external wall, a telescopic wall cassette must be used.

3.2 Exhaust air with carbon filter

The suction air is cleaned by the grease filters and an active carbon filter, and then re-transferred to the kitchen.

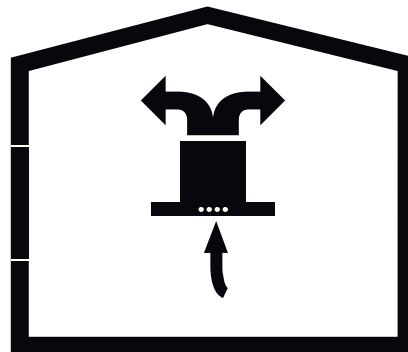


Fig. 5: Air exhaustion with a carbon filter

To remove the substances that produce odor from the air, you must attach an active carbon filter to the appliance. Check with your authorized dealer for several available options where the appliance can be used in fan-mode. You can purchase the necessary accessories for this process at your point of sale, authorized service, or online sales outlet.

3.3 Replacing the carbon filter

For appliances without exhaust pipes, an active carbon filter for recirculation and re-filtration of air must be installed. The active carbon filter should be purchased from your service representative or your dealer. Disconnect the appliance before replacing the carbon filter. Since the carbon filter is used in kitchens without exhaust pipes, it needs to be replaced with a new one every 3 to 5 months, depending on the usage degree. The carbon filter must never be washed. Whether or not a carbon filter is used, grease filters must be installed. Do not use the appliance without a grease filter.

3 Instructions for use

3.4 AF 90 Replacing the carbon filter



DANGER: Do not wash the carbon filters. Do not leave carbon filters out to the reach of children.

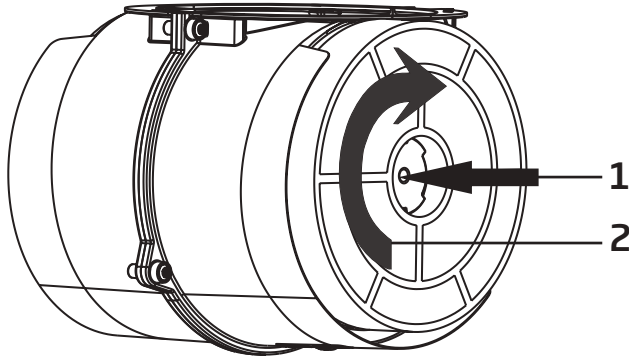
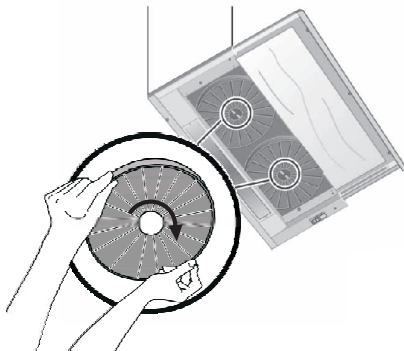


Fig. 6: AF 90 Carbon filter

The device you purchased is suitable for using an AF 90 carbon filter.

1. Put the carbon filter in the appropriate slot. Fig. 6
2. Turn the carbon filter clockwise and make sure it is positioned correctly. Fig. 6



If it is not positioned correctly, the carbon filter may fall and damage the product.

3. Put the carbon filter in the appropriate slot. Fig. 6
4. Turn the carbon filter clockwise and make sure it is positioned correctly. Fig. 6

4 Cleaning and maintenance instructions

• **WARNING!**

- Before each maintenance and cleaning operation, the cooker hood must be turned off and the appliance must be disconnected from the power source.
- Cleaning and maintenance of the appliance must not be performed by unattended children.
- Aggressive cleaning or abrasive cleaning products may damage the surface. Never use aggressive or abrasive cleaning agents. Purchase the appropriate cleaning and protection products for your device from the Authorized Technical Service. The surface of the machine and the control units are scratch-sensitive.
- Clean the surfaces with a soft, damp cloth, dishwashing detergent or non-aggressive glass cleaner. Remove any hardened residues using a damp cloth. Do not scratch!
- Use of dry cloths, abrasive sponges, friction products and other cleaning agents containing sand, soda, acid or chlorine is not appropriate.
- Clean the stainless steel surfaces in the original furbishing direction.
- Do not use cleaning agents for stainless steel and wet cloths on control units.
- Cleaning the grease filters - The used metal grease filters capture the fat particles from the moist air and the steam generated in the kitchen. Under normal conditions of use (1-2 hours a day), cleaning the grease filters should be performed approximately every three months.
- Do not use excessively strong cleaning agents, alkalis or acids.
- When cleaning the grease filters, also clean the metal grease filter clamps in the appliance with a damp cloth.

4.1 Washing the grease filters in the dishwasher

- You can wash the grease filters in the dishwasher or by hand.
- When washing the filters in the washing machine, their color may change slightly. This does not affect the function of the grease filters.
- Do not wash the highly dirty metal grease filters together with other dishes.
- Place the grease filters in the dishwasher without cluttering them.

4.2 Manual Washing

- You can use a special grease solvent to eliminate persistent dirt. This type of solvent can be purchased from an authorized sales center.
- Wipe the grease filters in hot water with dishwashing detergent.
- Use a cleaning brush and wait for the liquid on the metal grease filters to drain completely.
- Rinse the filters thoroughly after cleaning.



WARNING: Cleaning the metal grease filter in due time, helps avoiding the risk of fire caused by the excessive heat generated during frying.

4.3 Removing / installing the aluminum filter

Pull the aluminum filter towards you by pressing the corresponding button. Reverse the process to install the filter.

5 Installation instructions

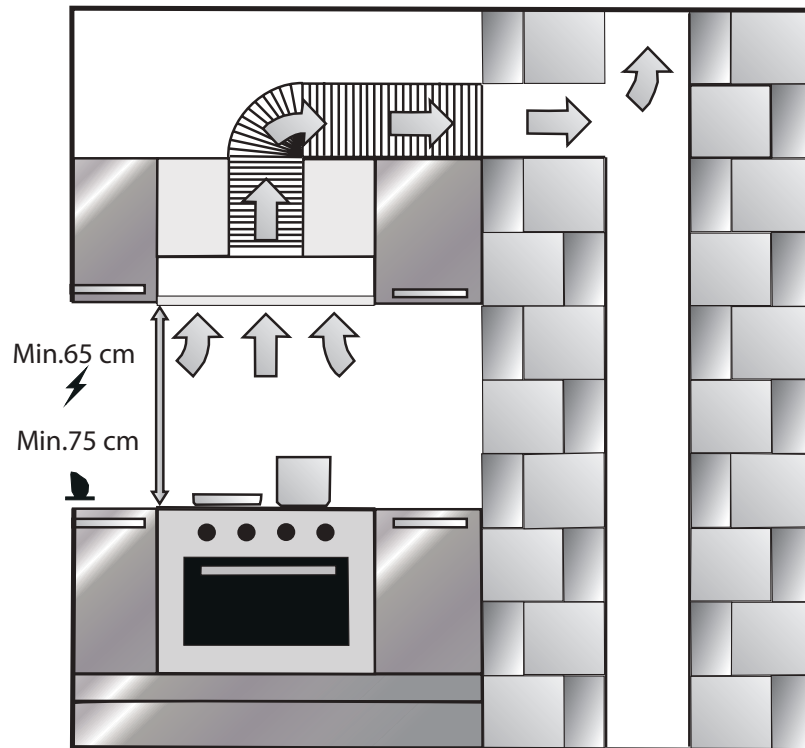


Fig. 7: Appliance installation

After the cooker hood installation, the minimum distance must be 650 mm between the product and any other electric cooker and 750 mm between the product and other gas cookers or cooking appliances using other fuels. Fig. 7

5.1 Installing and unpacking the device

Check if the appliance is faulty.

- Damages caused during transportation should be reported to the courier immediately.
- Visible defects must also be communicated to the seller.
- Do not allow children to play with the packaging!!!

5.2 Installing and unpacking the device

- Periodically change carbon filters.
- Always clean the aluminum filters. Because dirty filters block the air intake, the appliance will have to operate at a higher suction speed.
- Use the product at the appropriate speeds.
- Using the appliance at high speeds will increase energy consumption.

5 Installation instructions

5.3 Exhaust air mode

• WARNING

Risk of death!

Reabsorbed exhaust gases can cause poisoning. The exhaust air must not be transferred to a flue gas duct or waste gas stream or to an exhaust duct used to ventilate certain places where other heat sources are installed.

If you want to transfer the exhaust air into a smoke or inactive waste gas pipe, you must obtain permission from an authorized chimney cleaner.

If the exhaust air is released over the outside wall, a telescopic wall cassette must be used.

5.4 The air outlet

Information: The appliance manufacturer is not responsible for faults caused by the pipes used.

- The machine works at full performance when using a short and flat air outlet pipe with as large a diameter as possible.
- When using long, hard ducts, multiple L-pipes or pipes with diameters of less than 150 mm, an optimal ventilation performance can not be achieved and the fan noise level increases.
- Pipes or hoses used for the exhaust air route must not be made of flammable materials.

Circular piping

The inside diameter is recommended to be 150 mm or at least 120 mm.

Flat tubes

The inner section must correspond to the diameter of the circular pipes.

Ø 150 mm aprox. 177 cm²

Ø 120 mm aprox. 173 cm²

- The flat tubes must not have sharp L-pipes.
- Use sealing tapes for pipes with different diameters.

5.5 Checking the wall

- The wall must be flat, straight and should have a sufficient load capacity.
- The depth of the holes must correspond to the length of the bolts. The dowel pins must fit.
- Mounting screws and dowels must be suitable for use in rigid monolithic walls. Use suitable fasteners for different types of construction (eg gypsum board, aerated concrete, proton bricks).

5.6 Electrical connection

• WARNING

Risk of electric shock!

Device components may have sharp edges. The connection cable may be damaged. Do not bend or squeeze the power cord during installation.

The required connection data is provided on the label inside the machine; metal grease filters must be removed to see the label.

Connection cable length: approx. 1.3 m. This device complies with the EU Interference Removal Guidelines.

Make sure disconnecting the appliance from the mains socket is always possible. The appliance must be connected to a protected contact socket, installed in accordance with the current regulations. If the plug can not be reached after installation or during the required fixed connection, there must be several pole separation systems with a contact distance of at least 3 mm from the installation. The fixed connection must only be executed by an authorised technician.

6 Installation instructions

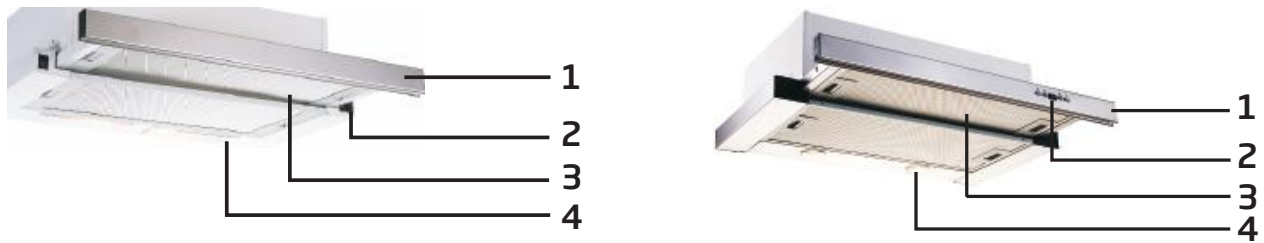


Fig. 9: Cooker hood overview

1. Front panel
2. Key
3. Filter
4. Light

7 Installation instructions

7.1 Wall drilling and bracket fixing

Drill holes with a $\varnothing 4$ mm diameter on points marked A, B, C, D on the mounting scheme. Figure 2

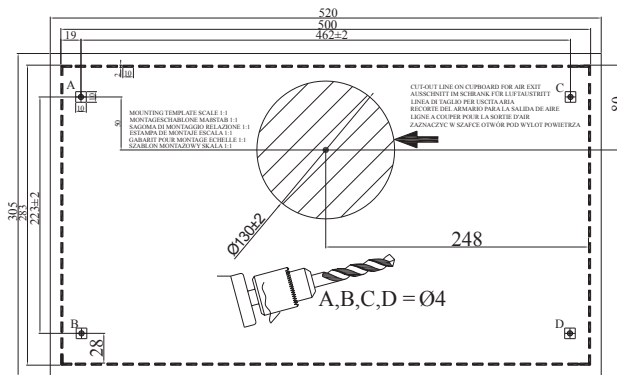


Figure 2

The equipment will be mounted on the housing in points A, B, C, D using the 4 x 40 screws supplied with the equipment. The front panel should not be rubbed off the housing cover when the slide set moves. Figure 3

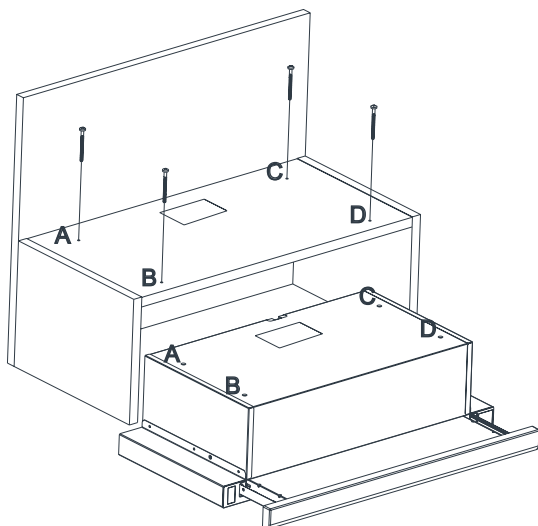


Figure 3

Place the plastic tube supplied with the equipment on the exhaust pipe of the equipment. Turn the plastic tube clockwise. Figure 4

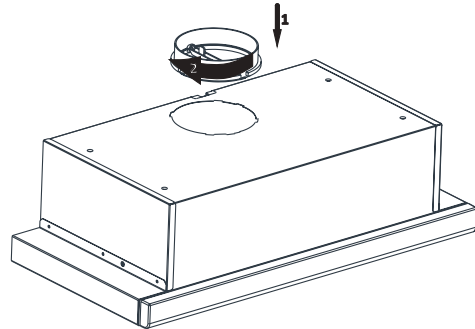


Figure 4

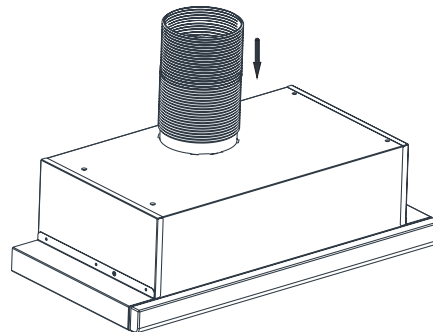


Figure 5

Install the flexible aluminum pipe into the plastic hose outlet. Install the other end of the pipe on the tube orifice on the wall. Figure 5



WARNING: Since twisting and bending the aluminum pipe reduces air power suction, avoid bending or twisting the pipe.

Equipment functions

The cooker hood is used in kitchens with or without hoses.

Using the appliance with hose;

When used with a hose, the cooker hood must be connected to a tube that will release the air. Prefer the shortest pipe system to lead to the tube in order to obtain maximum efficiency from the casing. Your product is manufactured in a form suitable for tube use.

8 Operation and use

3 Speeds switch

Lamp switch



Place the switch in lamp mode to turn on the light. The sliding set must be detached to turn on the lights.

3. Air circulation switch



To operate the machine at first speed, slide the switch up. To operate the product at second speed, move the switch down.

3. Turbo air circulation switch



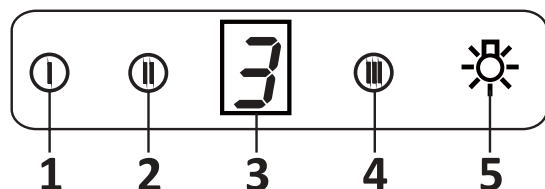
To operate the machine at third speed, slide the switch down.

2 Speeds switch



The product has 2 lamps and a switch to control the light. The sliding set must be detached to turn on the lights.

3 Speeds digital display



1. Press this button when you want to operate the product at speed 1.
2. Press this button when you want to operate the product at speed 2.
3. Press this button when you want to operate the product at speed 3.
4. Press this button when you want to turn on the product lights.

Speed selection

The appliance has a 3-level ventilation. One of the low-medium-high ventilation levels is selected according to cooking and steaming vapors. Start by pressing the engine control buttons on the front panel. Electronically controlled models have automatic timer.

Timer

If you press any of the engine start buttons for more than 2 seconds, a timer function will be activated for a duration of 15 minutes. The display will emit a signal when the timer starts and the engine will automatically switch off for 15 minutes.

Metal filter cleaning:

Filters should be cleaned when the "C" signal appears on the screen or (depending on usage) after 2-3 weeks. When the filters are cleaned and mounted in their places, press the button for more than 3 seconds to clear the mark "C" (when product is inactive). The letter "E" appears on the screen and the unit will start to function normally. If you want to continue the operation without deleting the "C" signal, when you press the button, the active operation will be observed for 1 sec. and the "C" signal will reappear and the engine will continue to run.








WARNING: The "C" sign will appear at the end of the 60-hour period.

8 Operation and use



5 Speeds Digital Display



WARNING: The "C" sign will appear at the end of the period of use of the machine for 60 hours.

-  ON / OFF: The equipment will start when the button is pressed.
-  Reduced speed: The speed will be reduced if this button is pressed.
-  Increased speed: Speed will increase if this button is pressed.
-  Timer: When the button is pressed, a timer function is activated for 15 minutes and, once the timer begins, the display gives a signal and the engine stops automatically after 15 minutes.
-  Lamp: The lamp will start when the button is pressed. Press this button again to turn off the bulb.

Filter cleaning periods:

Filters should be cleaned when the sign "C" appears on the screen or (depending on usage) after 2-3 weeks. When filters are cleaned and mounted at their locations, press button for more than 3 seconds to clear the "C" sign (when the product is idle) . The letter "E" appears on the screen and the unit will start to function normally. If you wish to continue the operation without deleting the "C" signal, pressing the  button will see the active operation for 1 sec. and the "C" signal will reappear and the engine will continue to run.



The "C" sign will appear at the end of 60 hours of use cycle.

Effective use and energy saving:

- When using the hood, adjust the vapor speed and odor intensity settings to save energy.
- Use low speeds (1-2) under normal conditions and high speeds (3) in intense odors and vapors conditions.
- Halogen lamps are placed to illuminate the cooking zone. Their use for ambient light will produce unnecessary energy consumption and insufficient light.

Product usage:

- Your hood contains a motor that has different speeds.

9 Light bulbs replacement



DANGER: Disconnect the cooker hood's power supply. Wait for the bulbs to cool because they are hot and cause burns to your hands.

9.1 Replacing the halogen lamp

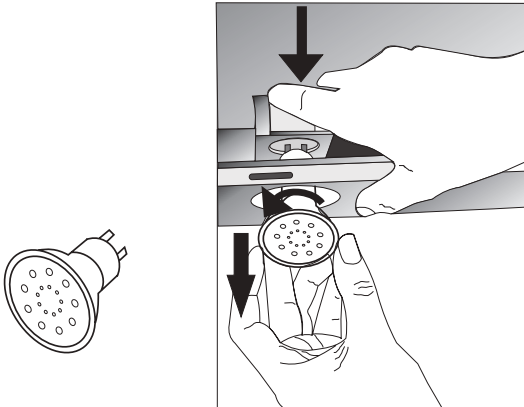


Fig. 13: Replacing the LED bulb

Remove the aluminum filter holder. Remove the defective bulb and replace it with a new one of the same type. Fig. 13

9.2 Replacing the filament bulb

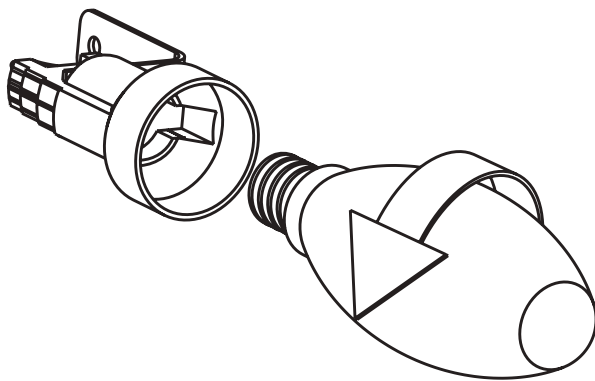
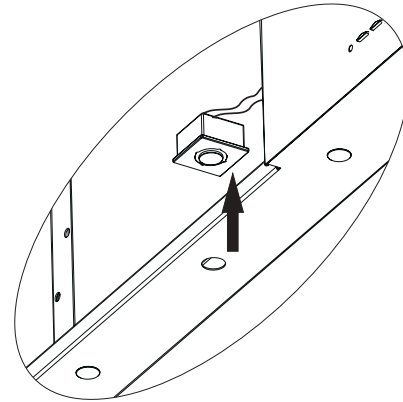


Fig. 14: Replacing the filament bulb

Remove the aluminum filter holder. Remove the defective bulb and replace it with a new one of the same type. Fig. 14

9.3 Replacing the LED lamp



1W

- Disconnect the LED electrical connection.
- Push the lamp with your hand to remove it.
- Separate the self-adhesive tape around the main body plate lamps.
- Before placing the LED, remove the protective film from the frame and then place it on the product's body.

10 Troubleshooting

If the light does not work.

- Check that the appliance is connected to the mains and that the fuses are not defective.
- Check the bulbs. Make sure you disconnect the appliance before this check. Tighten bulbs if unscrewed; you can replace the bulbs if the product still does not work.

10.1 Possible faults and solving them before calling the technical service

10.1.1 If the device does not work:

- Check that the machine is connected to the mains or that the plug is plugged in properly.
- Check the fuse to which the appliance and home switch are connected.

10.1.2 If the device does not work properly or makes a loud noise while operating:

- Is the appliance outlet diameter adequate? (min. 120 mm).
- Are metal filters clean? Check.
- If using the hood without exhaust pipe, make sure that the carbon filters are not older than 6 months.
- Make sure that your kitchen is well ventilated to provide proper air circulation. If you are still unsatisfied with the performance of your machine, contact your authorized service department.

10 Troubleshooting

10.2 Possible problems and solutions

Problem	Possible Cause	Action
The machine does not work	Check the power cord connection	The power voltage must be 220-240 V, and the product must be connected to a grounded outlet
The light bulb does not work	Check the power cord connection	The power voltage must be 220-240 V, and the product must be connected to a grounded outlet
The light bulb does not work	Check the power cord connection	Înterupătorul becului trebuie să fie în poziția „on” (pornit)
The light bulb does not work	Check the bulbs	The bulbs must be functional
Faulty air intake	Check the aluminum filter	Under normal operating conditions, the aluminum filter holder must be cleaned at least once a month
Faulty air intake	Check the exhaust air duct	The air outlet tube must be open
Faulty air intake	Check the carbon filter	For carbon-based products, it should be replaced every 3 months under normal exploitation conditions
The appliance does not evacuate the air (use without exhaust pipe)	Check the aluminum filter	Under normal operating conditions, the aluminum filter holder must be cleaned at least once a month
The device does not discharge the air (no use of the discharge duct)	Check the carbon filter	For carbon filter products, it should be replaced every 3 months under normal conditions of use

10.3 Technical chart

Power supply voltage	220 - 240 V 50 Hz
Motor isolation class	F
Isolation class	CLASA I

Vă rugăm să citiți mai întâi acest manual!

Stimați clienți!

Vă mulțumim pentru că preferați un produs Beko. Sperăm să obțineți cele mai bune rezultate de la produsul dumneavoastră, care a fost fabricat la o calitate înaltă și cu tehnologii performante. În acest scop, vă rugăm să citiți cu grijă și în întregime acest manual de utilizare și toate celelalte documente însoțitoare înainte de a utiliza produsul și să le păstrați pentru consultări ulterioare. Dacă predați produsul altei persoane, oferiți-i și manualul de utilizare. Respectați toate avertismentele și informațiile din manualul de utilizare.

Rețineți că acest manual de utilizare este valabil și pentru alte modele. Diferențele dintre modele sunt descrise în manual în mod clar.

Semnificația simbolurilor

Următoarele simboluri sunt utilizate în diverse părți ale acestui manual de utilizare:

	Informații importante și sugestii utile cu privire la utilizare.
---	--

	AVERTISMENT: Avertismente pentru situații periculoase referitoare la siguranța vieții și a bunurilor.
--	--

	Avertisment privind șocurile electrice.
---	---

	Avertisment pentru suprafețe fierbinți.
---	---

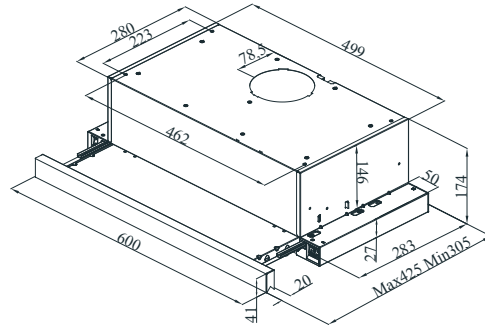
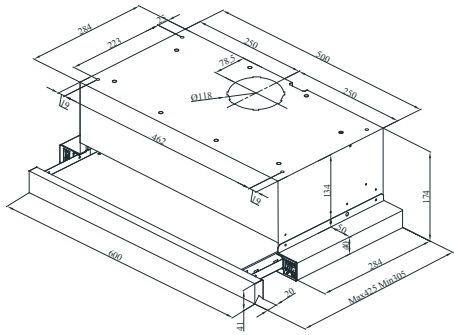
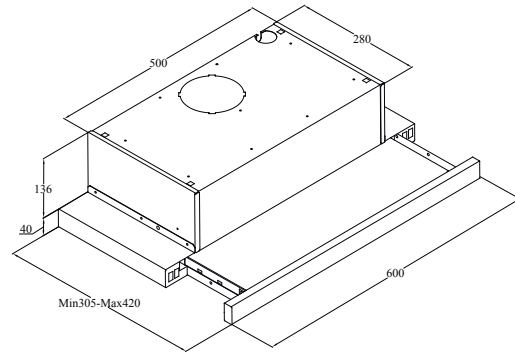
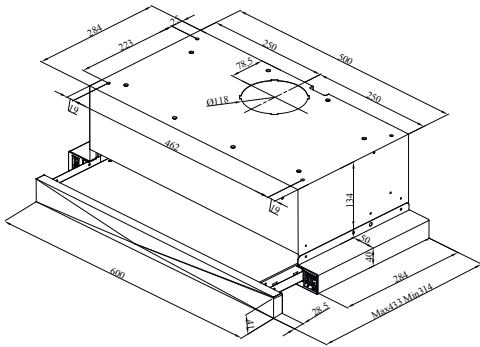
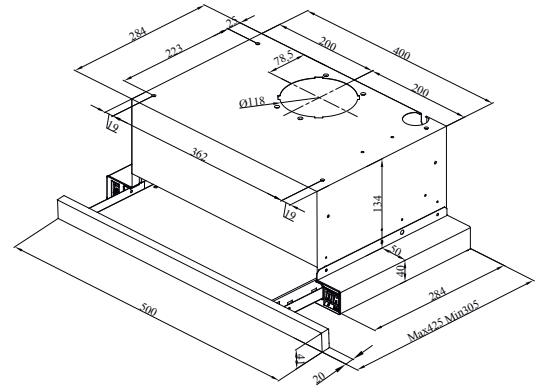
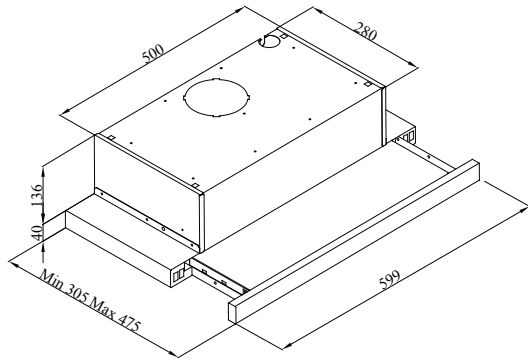


Acest produs a fost fabricat în fabrici moderne, prietenoase cu mediul înconjurător, fără a dăuna naturii.

Acest produs este conform cu regulamentul DEEE.



Nu conține PCB.



HNT 61310 X

Fig. 1: Desen tehnic

1

Instrucțiuni importante referitoare la siguranță și la mediul înconjurător

- Acest echipament poate fi utilizat de copii cu vârsta de peste 8 ani și persoane cu capacitate fizică, senzorială sau mentală redusă sau care nu au experiență și nu sunt familiarizate cu echipamentul dacă acestea sunt supravegheate sau li se oferă instrucțiuni privind utilizarea echipamentului într-o manieră sigură și înțeleg pericolele implicate.
- Acest produs a fost conceput pentru uz casnic.
- Tensiunea de funcționare a produsului este de 220-240 Volți ~ 50 Hz.
- Cablul de alimentare al produsului este echipat cu un ștecher cu împământare. Acest cablu trebuie să fie conectat la o priză cu împământare.
- Întreaga instalație electrică trebuie să fie efectuată de către un electrician calificat.
- Instalarea de către persoane neautorizate poate cauza performanțe scăzute, deteriorarea produsului și accidente.
- Cablul de alimentare al dispozitivului nu trebuie să fie blocat sau presat în timpul instalării. Cablul de alimentare nu trebuie amplasat în apropierea aragazului. Acest lucru poate provoca topirea acestuia și incendiu.
- Nu conectați aparatul înainte de instalare.
- Asigurați-vă că locul de instalare permite utilizatorului să deconecteze cu ușurință cablul de alimentare în caz de pericol.
- Nu atingeți becurile produsului atunci când au fost în funcțiune pentru o perioadă lungă de timp. Acestea sunt fierbinți și pot cauza arsuri ale mâinilor.
- Hotele de bucătărie sunt destinate uzului casnic și pentru gătit convențional. Dacă acestea sunt utilizate în alte scopuri decât cele specificate, acestea s-ar putea defecta și garanția va fi nulă.
- Respectați reglementările și normele prevăzute de autoritățile relevante cu privire la evacuarea aerului la exterior. (Acest avertisment nu se aplică în cazul utilizării fără tub de evacuare).

1

Instrucțiuni importante referitoare la siguranță și mediu înconjurător

- Nu gătiți alimente la flacără sub aparat.
- Porniți aparatul după ce ați așezat tigaia, oala etc. pe aragaz. În caz contrar, temperatura înaltă poate provoca deformarea unor părți ale aparatului.
- Opriți arzătorul înainte de a lua tigaia, oala etc. de pe aragaz.
- Nu lăsați ulei fierbinte pe aragaz. Vasele care conțin ulei fierbinte pot provoca incendiu.
- Deoarece uleiul poate lua foc atunci când se gătesc în special mâncăruri prăjite, acordați atenție perdelelor și fețelor de masă.
- Asigurați-vă că filtrele sunt înlocuite la timp.
- Filtrele care nu sunt înlocuite la timp prezintă un risc de incendiu din cauza grăsimii acumulate în interiorul acestora.
- Nu folosiți materiale de filtrare nerezistente la foc în loc de filtre.
- Nu folosiți aparatul fără filtru și nu scoateți filtrele în timp ce aparatul este pornit.
- În cazul unui incendiu, deconectați hota și aparatele de gătit. (Deconectați aparatul sau opriți întrerupătorul principal).
- În condițiile în care curățarea periodică a produsului dumneavoastră nu se face în timp util, ar putea exista un risc de incendiu.
- Deconectați aparatul înainte de lucrările de întreținere. (Deconectați aparatul sau opriți întrerupătorul principal).
- Dacă hota este utilizată în același timp cu dispozitive care folosesc alți combustibili decât electricitatea, presiunea negativă din încăperea nu trebuie să depășească 4 Pa (4 x 10 bari).
- Arzătoarele pe bază de combustibil, cum ar fi sistemele de încălzire a camerei, care se află în același mediu cu produsul dumneavoastră, trebuie izolate complet de sistemul de evacuare al acestui produs sau trebuie să fie ermetice.
- Atunci când efectuați conexiunea unui tub de evacuare, utilizați conducte cu un diametru de 150 mm sau 120 mm.
- Lungimea conductei de conectare, precum și numărul de coturi trebuie să fie cât mai mici posibil.
- Copiii nu trebuie să se joace cu aparatul.

1

Instrucțiuni importante referitoare la siguranță și mediu înconjurător

- Pentru o utilizare sigură, folosiți o siguranță „MAX 6 A” în sistemul hotei aragazului.
- Deoarece ambalajele pot fi periculoase, nu le lăsați la îndemâna copiilor.
- În cazul în care cablul de alimentare electrică este deteriorat, acesta trebuie înlocuit de producător, reprezentantul de service tehnic sau personal cu calificări similare pentru a evita orice pericol.
- În cazul unui incendiu, deconectați hota și aparatele de gătit și acoperiți flacăra. Nu folosiți niciodată apă pentru stingerea incendiilor.
- Atunci când aparatele de gătit sunt în funcțiune, părțile lor accesibile pot fi fierbinți.
- Acest aparat poate fi utilizat de persoane cu capacități fizice, senzoriale sau mentale reduse (inclusiv copii) sau persoane care nu au experiență și cunoștințe adecvate privind utilizarea sa, doar dacă acestea sunt supravegheate de către o persoană responsabilă pentru siguranța aparatului.
- După instalarea hotei, distanța minimă trebuie să fie de 65 cm între produs și orice alt aragaz electric și 75 cm între produs și alte aragazuri pe gaz sau aparate de gătit care folosesc alți combustibili.
- Conducta de evacuare a hotei nu trebuie să fie conectată la conducte în care este evacuat fum de la alte aparate.
- Trebuie acordată atenție atunci când aparatul este folosit simultan cu alte dispozitive care utilizează același aer în același mediu (de exemplu sisteme de încălzire pe gaz, motorină, cărbune sau lemn, boiler, etc.). Acest lucru este ca urmare a faptului că hota poate scădea combustia, deoarece degajează aer în atmosfera camerei.
- Acest avertisment nu se aplică în cazul utilizării fără tub de evacuare.

1

Instrucțiuni importante referitoare la siguranță și mediu înconjurător

- Atunci când hota electrică a aragazului este utilizată simultan cu dispozitive pe bază de gaz sau alți combustibili, camera trebuie să aibă o ventilație suficientă (acest lucru s-ar putea să nu se aplice dispozitivelor care evacuează aerul înapoi în cameră).
- Funcționarea simultană a mai multor aragazuri duce la generarea unei cantități mari de căldură. Prin urmare, un aparat de ventilație plasat pe suprafața de gătit se poate deteriora sau arde. Nu utilizați două aragazuri pe gaz în condiții de căldură ridicată pentru mai mult de 15 minute. Un arzător mare cu o capacitate (de lucru) mai mare de 5 kW are o putere egală cu cea a două arzătoare pe gaz.

1.1 Conformitate cu Directiva DEEE și de depozitare a deșeurilor



Acest produs este conform cu Directiva DEEE a UE (2012/19/UE). Acest produs a fost marcat cu simbolul de clasificare pentru deșeurile de echipamente electrice și electronice (DEEE).

Acest produs a fost fabricat cu componente și cu materiale de înaltă calitate, care pot fi refolosite și reciclate. La sfârșitul duratei de funcționare, nu eliminați produsul împreună cu deșeurile menajere și cu alte tipuri de deșeurile. Transportați-l la un punct de colectare pentru reciclarea echipamentelor electrice și electronice. Vă rugăm să contactați autoritățile locale, pentru a afla unde se află aceste puncte de colectare.

Conformitate cu Directiva RoHS:

Produsul pe care l-ați achiziționat este conform cu Directiva RoHS UE (2011/65/UE). Acesta nu conține materiale periculoase și interzise specificate în această Directivă.


1.2 Informații cu privire la ambalaj



Ambalajul produsului este fabricat din materiale reciclabile, conform Legislației Naționale. Materialele utilizate pentru ambalaj nu trebuie să fie eliminate împreună cu deșeurile menajere sau cu orice alt tip de deșeurile. Transportați-le la punctele de colectare destinate ambalajelor, amenajate de autoritățile locale.

2 Pericol letal, pericol de otrăvire

2.1 Pericol letal, Pericol de otrăvire



PERICOL: Există pericol de deces și otrăvire din cauza gazelor de ardere reabsorbite. În timpul utilizării sistemului de evacuare a aerului, nu folosiți aparatul împreună cu alte dispozitive care emit gaze toxice prin intermediul unor tuburi de evacuare, cum ar fi sisteme de încălzire cu recirculare de aer, pe gaz, benzină, cărbune sau lemn, boiler, încălzitoare de apă, etc. decât dacă există un flux de aer corespunzător în timpul utilizării.

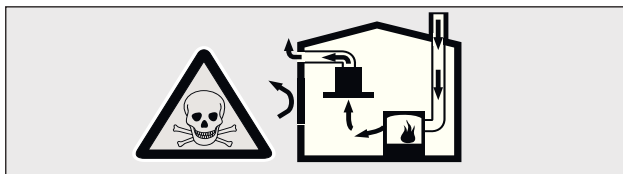


Fig.2 Pericol de otrăvire

Dispozitivele cu recirculare de aer (de exemplu sisteme de încălzire pe gaz, benzină, lemn sau cărbune, boiler, încălzitoare de apă) preiau aerul de ardere din locul de instalare și evacuează gazele reziduale prin intermediul unui sistem de evacuare a gazelor reziduale (de exemplu tub de evacuare). Când hota este activă, aspiră aerul din bucătărie și camerele învecinate. Dacă admisia de aer nu este corespunzătoare, se poate crea vacuum. În acest caz, gazele toxice sunt absorbite din tubul de evacuare și canalul gazelor reziduale și intră din nou în încăperea. Fig. 2

Din acest motiv, trebuie asigurat întotdeauna un aport adecvat de aer proaspăt. Fig. 3

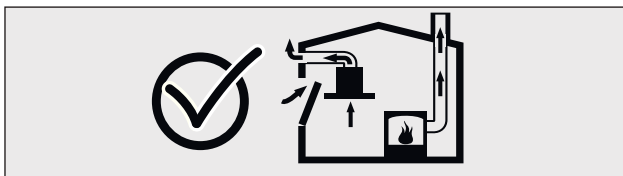



Fig.3




PERICOL: Pericol de incendiu! Din cauza scânteilor. Instalarea dispozitivului pe un aparat de încălzire pe bază de combustibili solizi (de exemplu lemn sau cărbune) este permisă numai în cazul în care există un capac nedetașabil. Pentru procesul de instalare trebuie să se acorde atenție regulamentelor de construcție actuale și reglementărilor companiilor locale de electricitate și gaz. Dacă dispozitivul nu este curățat conform instrucțiunilor de curățare, poate genera un incendiu.

2.2 Pericol de electrocutare



PERICOL: Nu îndoii sau striviți cablul de alimentare în timpul procesului de instalare, deoarece există pericolul de deteriorare a acestuia.

2.3 Pericol de vătămare!



PERICOL:

- În timpul instalării, există pericolul de vătămare din cauza marginilor ascuțite. Utilizați întotdeauna mănuși de protecție în timpul instalării dispozitivului.
- Toate șuruburile și capacele de siguranță trebuie să fie montate conform descrierii din manualul de utilizare din cauza riscului de cădere a dispozitivului.

2 Pericol letal, pericol de otrăvire

2.4 Pericol de arsuri, pericol de electrocutare



PERICOL:

- Lăsați aparatul să se răcească înainte de procesul de curățare sau întreținere. Deconectați siguranța sau decuplați de la rețea.
- Există riscul de defectare din cauza infiltrării de umezeală la piesele electronice. Nu curățați elementele de comandă cu o cârpă umedă.
- Curățarea necorespunzătoare poate deteriora suprafața. La curățarea suprafețelor din oțel inoxidabil urmați întotdeauna sensul de șlefuire. Nu utilizați produse de curățare pentru oțel inoxidabil la curățarea elementelor de control.
- Curățarea agresivă sau produsele de curățare abrazive pot deteriora suprafața. Nu utilizați niciodată agenți de curățare agresivi sau abrazivi.
- Există riscul de defectare din cauza refluxului de condens. Montați tuburile pentru evacuarea aerului în jos față de aparat (pantă de 1°).

2.5 Pericol de incendiu și rănire fizică!



PERICOL: În cazul în care reparațiile nu sunt efectuate în conformitate cu normele sau conform cerințelor, opriți siguranța sau deconectați cablul de alimentare al aparatului dumneavoastră. Reparațiile trebuie să fie efectuate numai de către reprezentantul serviciului tehnic autorizat sau personal de specialitate.



Dacă aparatul este avariât sau nu funcționează, deconectați siguranța sau decuplați cablul de alimentare al aparatului și apelați la un service autorizat.



În cazul în care cablul de alimentare electrică este deteriorat, acesta trebuie înlocuit de producător, reprezentantul de service tehnic sau personal cu calificări similare pentru a evita orice pericol.



Dacă becurile aparatului nu funcționează, deconectați siguranța sau decuplați cablul de alimentare al aparatului. Pentru a evita suprasolicitarea altor becuri, înlocuiți imediat becurile arse (așteptați până se răcește becul)



ATENȚIE: Atunci când este utilizat împreună cu mașini de gătit, părțile accesibile se pot încălzi.



PERICOL: Conducta de evacuare a aerului acestui dispozitiv nu trebuie să fie conectată niciodată la tuburi pentru evacuarea fumului generat de alte aparate pe bază de gaz sau alți combustibili.

3 Utilizare cu și fără filtru de carbon

Puteți utiliza acest aparat în modul aer de evacuare și modul aer ventilat.

3.1 Modul aer de evacuare

Aerul aspirat este curățat de filtrele de grăsime și este evacuat printr-un sistem de conducte. 4

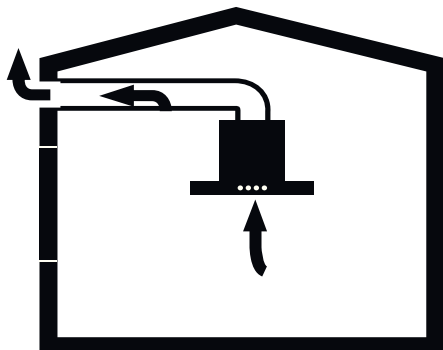


Fig. 4: Evacuarea aerului fără filtru de carbon



AVERTISMENT: Risc de deces!

Gazele de evacuare reabsorbite pot duce la otrăvire. Aerul de evacuare nu trebuie să fie transferat într-un tub de evacuare a fumului sau a gazelor reziduale activ sau într-un tub de evacuare utilizat pentru ventilația anumitor locuri în care sunt instalate surse de căldură.

- Dacă doriți să transferați aerul de evacuare într-un tub de evacuare a fumului sau a gazelor reziduale inactiv, trebuie să obțineți permisiunea unui hornar autorizat.
- Dacă aerul de evacuare este evacuat prin peretele extern, trebuie utilizată o casetă de perete telescopică.

3.2 Modul aer ventilat

Aerul aspirat este curățat de filtrele de grăsime și de un filtru de carbon activ, iar apoi este retransferat în bucătărie. 5

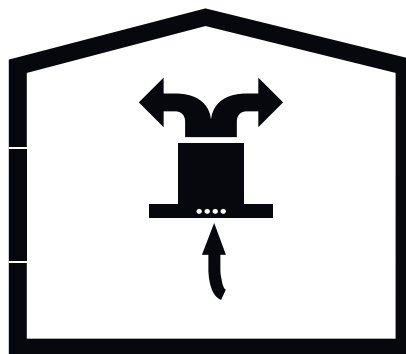


Fig. 5: Evacuarea aerului cu filtru de carbon

Pentru a reține substanțele care produc miros în modul aer ventilat, trebuie să atașați un filtru de carbon activ. Consultați distribuitorul dumneavoastră autorizat pentru mai multe opțiuni disponibile în care poate fi utilizat aparatul în modul aer ventilat. Puteți achiziționa accesoriile necesare pentru acest proces din punctele de vânzare, serviciile autorizate sau centrul de vânzări online.

3.3 Înlocuirea filtrului de carbon

La aparatele fără tub de evacuare, trebuie instalat un filtru de carbon activ pentru recircularea și refiltrarea aerului. Filtrul de carbon activ trebuie achiziționat de la reprezentantul de service sau distribuitorul dumneavoastră. Deconectați aparatul înainte de înlocuirea filtrului de carbon. Deoarece filtrul de carbon este utilizat în bucătării fără tuburi de evacuare, acesta trebuie înlocuit cu unul nou la fiecare 3 - 5 luni, în funcție de gradul de utilizare. Filtrul de carbon nu trebuie spălat niciodată. Indiferent dacă este utilizat sau nu un filtru de carbon, trebuie instalate filtrele de grăsime. Nu folosiți aparatul fără filtru de grăsime.

3 Utilizare cu și fără filtru de carbon

3.4 AF 90 Înlocuirea filtrului de carbon



PERICOL: Nu spălați filtrele de carbon. Nu lăsați filtrele de carbon la îndemâna copiilor

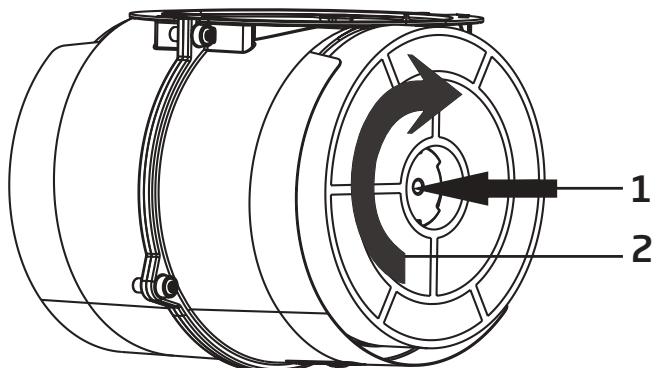
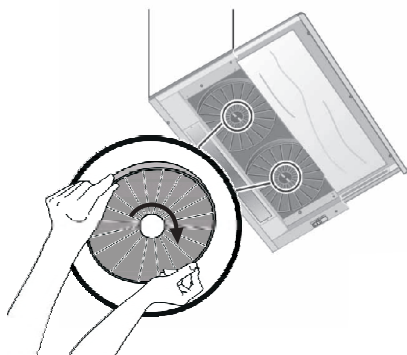


Fig. 6: AF 90 Filtru de carbon

Dispozitivul pe care l-ați achiziționat este potrivit pentru utilizarea unui filtru de carbon AF 90.

1. Puneți filtrul de carbon în locașul corespunzător. Fig. 6
2. Rotiți filtrul de carbon în sensul acelor de ceasornic și asigurați-vă că acesta este poziționat corect. Fig. 6



Dacă nu este poziționat corect, filtrul de carbon poate cădea și poate deteriora produsul.

3. Puneți filtrul de carbon în locașul corespunzător. Fig. 6
4. Rotiți filtrul de carbon în sensul acelor de ceasornic și asigurați-vă că acesta este poziționat corect. Fig. 6

4 Curățare și întreținere

• ATENȚIE!

- Înainte de fiecare activitate de întreținere și curățare, hota aragazului trebuie să fie deconectată, iar aparatul trebuie să fie scos de sub tensiune.
- Curățarea și întreținerea aparatului nu trebuie să fie realizate de către copii nesupravegheați.
- Curățarea agresivă sau produsele de curățare abrazive pot deteriora suprafața. Nu utilizați niciodată agenți de curățare agresivi sau abrazivi. Achiziționați produse de curățare și de protecție adecvate pentru dispozitivul dvs. de la serviciul tehnic autorizat. Suprafața aparatului și unitățile de control sunt sensibile la zgârieturi.
- Curățați suprafețele cu o cârpă moale și umedă, un detergent de vase sau un produs de curățare pentru geamuri neagresiv. Înmuiați reziduurile uscate și întărite folosind o cârpă umedă. Nu răzuți!
- Utilizarea de cârpe uscate, bureți abrazivi, produse care necesită frecare și alți agenți de curățare care conțin nisip, sodă, acid sau clor nu este adecvată.
- Curățați suprafețele din oțel inoxidabil urmând sensul de șlefuire.
- Nu folosiți agenți de curățare pentru oțel inoxidabil și cârpe umede pe unitățile de control. Curățarea filtrelor de grăsime metalice. Filtrele de grăsime metalice utilizate captează particulele de grăsime din aerul umed și aburul generat în bucătărie. În condiții normale de utilizare (1-2 ore pe zi), curățarea filtrelor de grăsime metalice trebuie făcută aproximativ o dată la trei luni.
- Nu folosiți agenți de curățare excesiv de puternici, alcalini sau acizi.
- La curățarea filtrelor de grăsime metalice, curățați și elementele de prindere a filtrelor de grăsime metalice în aparat cu o cârpă umedă.
- Puteți spăla filtrele de grăsime metalice în mașina de spălat vase sau manual.

4.1 Spălarea în mașina de spălat vase

- La spălarea în mașina de spălat, culoarea se poate modifica ușor. Acest lucru nu afectează funcția filtrului de grăsime metalic.
- Nu spălați filtrele de grăsime metalice foarte murdare împreună cu alte vase.
- Așezați filtrele de grăsime metalice în mașina de spălat vase în mod lejer. Filtrele de grăsime metalice trebuie așezate în mașina de spălat vase fără a le îngheși.

4.2 Spălarea manuală

- Puteți folosi un solvent special pentru grăsimi pentru a elimina murdăria persistentă. Puteți achiziționa acest solvent dintr-un centru de vânzări autorizat.
- Înmuiați filtrele de grăsime metalice în apă fierbinte cu detergent de vase.
- Folosiți o perie de curățare și așteptați ca lichidul de pe filtrele de grăsime metalice să se scurgă complet.
- Clătiți filtrele bine după curățare.



ATENȚIE: Prin curățarea în timp util a filtrului metalic de grăsimi, se evită pericolul de incendiu cauzat de căldura excesivă generată în timpul prăjirii.

4.3 Eliminarea/instalarea filtrului de aluminiu

Trageți filtrul de aluminiu înspre dumneavoastră apăsând pe butonul aferent. Inversați procesul pentru a instala filtrul.

5 Instalarea dispozitivului

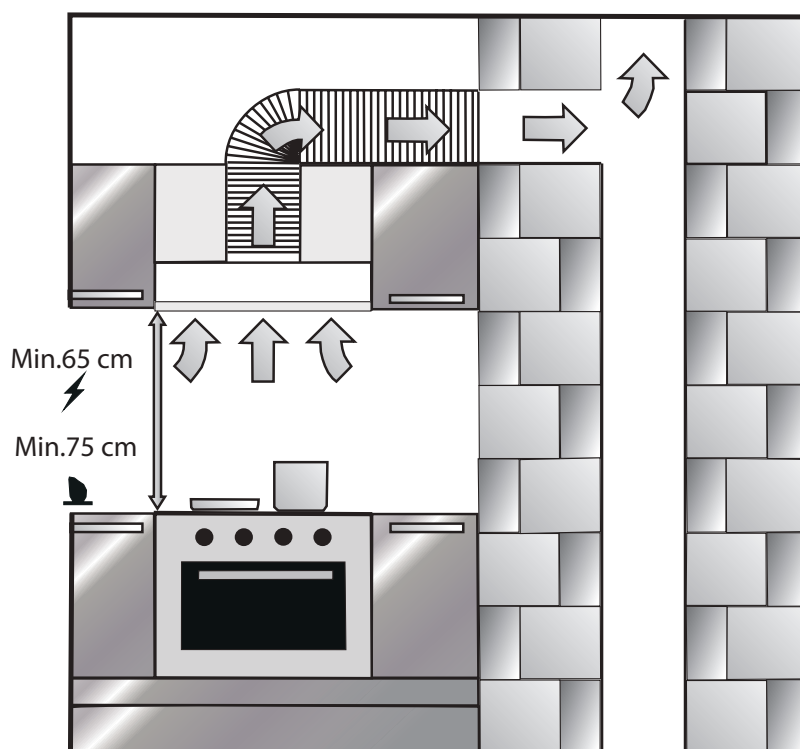


Fig. 7: Instalarea dispozitivului

După instalarea hotei, distanța minimă trebuie să fie de 650 mm între produs și orice alt aragaz electric și 750 mm între produs și alte aragazuri pe gaz sau aparate de gătit care folosesc alți combustibili. Fig. 7

5.1 Instalarea și despachetarea dispozitivului

Verificați dacă aparatul prezintă defecțiuni.

- Defecțiunile survenite în timpul transportului trebuie raportate imediat firmei de curierat.
- Defectele vizibile trebuie de asemenea comunicate vânzătorului.
- Nu permiteți copiilor să se joace cu ambalajul!!!

5.2 Instalarea și despachetarea dispozitivului

- Schimbați periodic filtrele de carbon.
- Curățați periodic filtrele de aluminiu. Deoarece filtrele murdare blochează intrarea aerului, aparatul va trebui să funcționeze la o viteză de aspirare mai mare.
- Utilizați produsul conform vitezelor corespunzătoare.
- Utilizarea la niveluri ridicate de viteză va crește consumul de energie.

5 Instalarea dispozitivului

5.3 Modul aer de evacuare

• AVERTISMENT

Risc de deces!

Gazele de evacuare care sunt reabsorbite pot provoca intoxicare. Aerul de evacuare nu trebuie să fie transferat într-un tub de evacuare a fumului sau a gazelor reziduale activ sau într-un tub de evacuare utilizat pentru ventilația anumitor locuri în care sunt instalate surse de căldură.

Dacă doriți să transferați aerul de evacuare într-un tub de evacuare a fumului sau a gazelor reziduale inactiv, trebuie să obțineți permisiunea unui hornar autorizat.

În cazul în care aerul de evacuare este eliberat peste peretele exterior, trebuie utilizată o casetă de perete telescopică.

5.4 Traseul de evacuare a aerului

Informații: Producătorul aparatului nu este responsabil pentru defecțiunile cauzate de conductele utilizate.

- Aparatul lucrează la performanță maximă atunci când se utilizează o conductă de evacuare a aerului scurtă și plată, cu un diametru cât de mare posibil.
- Atunci când se folosesc conducte de evacuare lungi și dure, multiple coturi pentru conducte sau diametre de conductă mai mici de 150 mm, nu se poate obține o performanță optimă a ventilației, iar nivelul de zgomot al ventilatorului crește.
- Conductele sau furtunurile folosite pentru traseul de evacuare a aerului trebuie fabricate din materiale inflamabile.

Conducte circulare

Se recomandă ca diametrul interior să fie de 150 mm sau cel puțin 120 mm.

Tuburi plate

Secțiunea interioară trebuie să corespundă cu diametrul conductelor circulare.

Ø 150 mm aprox. 177 cm²

Ø 120 mm aprox. 173 cm²

- Tuburile plate nu trebuie să aibă coturi ascuțite.
- Folosiți benzi de etanșare pentru conductele cu diametre diferite.

5.5 Verificarea peretelui

- Peretele trebuie să fie plat, drept și să aibă o capacitate suficientă de încărcare.
- Adâncimea găurilor trebuie să corespundă cu lungimea șuruburilor. Diblurile trebuie să se potrivească.
- Șuruburile și diblurile din montură trebuie să fie adecvate pentru utilizarea în pereți din monolit rigid. Utilizați materiale de fixare corespunzătoare pentru diferite tipuri de construcții (de ex. gips-carton, beton aerat, cărămizi proton).

5.6 Conexiunea electrică

• AVERTISMENT

Pericol de electrocutare!

Componentele din aparat ar putea avea margini ascuțite. Cablul de conectare se poate deteriora. Nu îndoiiți sau striviți cablul de alimentare în timpul instalării.

Datele necesare de conectare sunt furnizate pe eticheta din interiorul aparatului; filtrele metalice de grosime trebuie să fie îndepărtate pentru a vedea eticheta.

5 Instalarea dispozitivului

Lungimea cablului de conectare:

aproximativ 1,3 m Acest aparat este în conformitate cu liniile directoare UE de eliminare a interferențelor.

Trebuie să vă asigurați că deconectarea aparatului de la rețeaua electrică este întotdeauna posibilă. Aparatul trebuie să fie conectat la o priză de contact protejată, montată în conformitate cu normele în vigoare. Dacă ștecherul nu poate fi ajuns după instalare sau în timpul conexiunii fixe necesare, trebuie să existe mai multe sisteme de separare a polilor cu o distanță de contact de cel puțin 3 mm de instalație. Conexiunea fixă trebuie să fie efectuată doar de un electronist competent.

6 Vedere de ansamblu asupra echipamentului

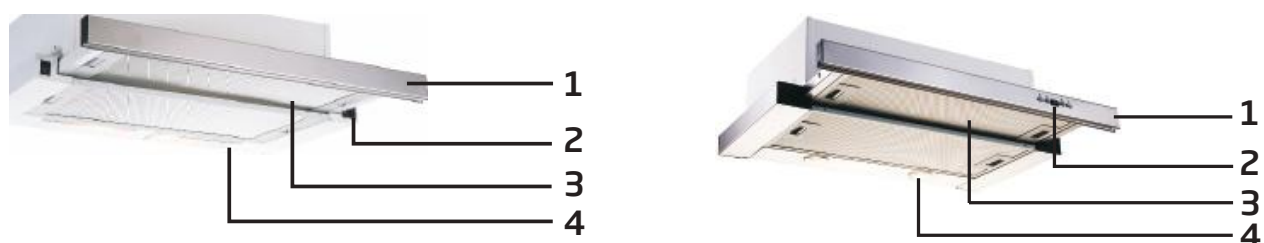


Fig. 9: Prezentarea hotei de aragaz

1. Panoul frontal
2. Cheie
3. Filtru
4. Iluminare

7 Instalarea produsului

7.1 Perforarea găurilor de agățare

Efectuați găuri cu un diametru de $\varnothing 4$ mm pe punctele marcate ca A, B, C, D pe schema de montaj, Figura 2

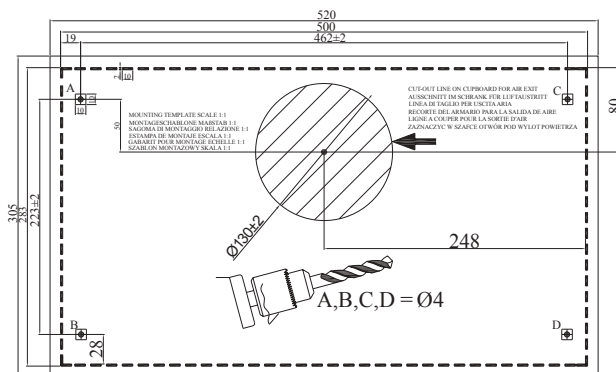


Figura 2

Echipamentul va fi montat pe carcasă în punctele A, B, C, D folosind șuruburi 4 x 40 furnizate împreună cu echipamentul. Panoul frontal nu trebuie frecat de capacul carcasei când se mișcă setul glisant. Figura 3

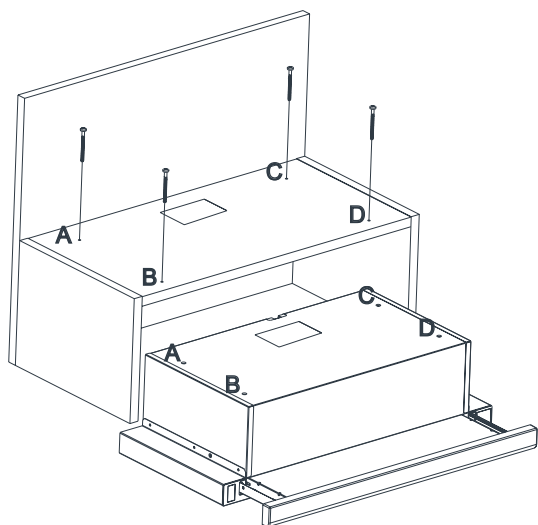


Figura 3

Amplasa țitu-bulde plastic furnizat împreună cu echipamentul pe tubul de evacuare al echipamentului. Rotiți tubul de plastic în sensul acelor de ceasornic. Figura 4

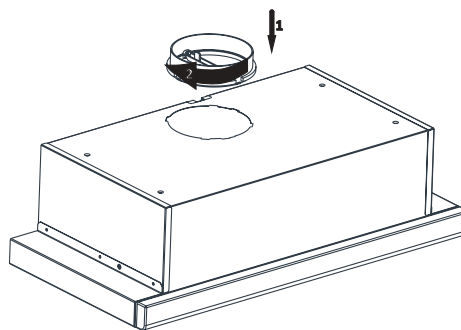


Figura 4

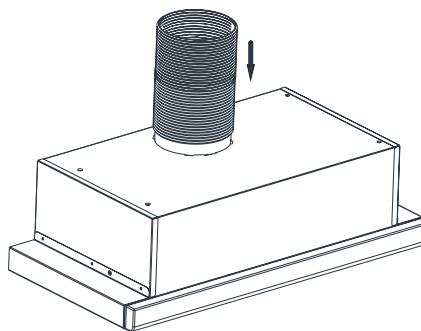


Figura 5

Instalați țeava de aluminiu flexibilă în ieșirea furtunului de plastic. Instalați celălalt capăt al țevii pe gura tubului pe perete. Figura 5



ATENȚIE: Din moment ce răsucirea și îndoirea țevii de aluminiu va duce la reducerea puterii de aspirație a aerului, evitați să îndoiți sau să răsuciți țeava.

Funcții ale echipamentului

Hota este folosită în bucătării cu sau fără furtun.

În caz de folosire cu furtun;

În utilizarea cu furtun, hota trebuie conectată la un tub care va degaja aerul. Preferați cel mai scurt drum pentru sistemul de țevi care duce la tub, pentru a obține o eficiență maximă de la hotă. Produsul dvs. este fabricat într-o formă adecvată pentru utilizarea cu tub.

8 Utilizarea produsului

Comutator 3 vit.

Comutator lampă



Mutați comutatorul în poziția lampă pentru a aprinde lumina aparatului. Setul glisant trebuie detașat pentru a aprinde luminile.

3. Comutator circulație



Dacă doriți să operați aparatul la viteza a treia, mutați comutatorul în jos.

3. Comutator circulație



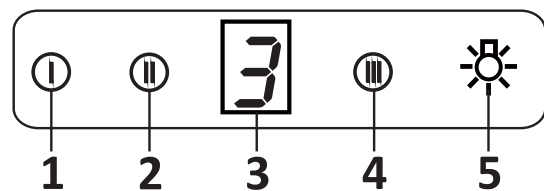
Dacă doriți să operați aparatul la viteza a treia, mutați comutatorul în jos.

Comutator 2 vit.



Produsul are 2 lămpi și un comutator ca să controlez lumina. Setul glisant trebuie detașat pentru a aprinde luminile.

Comutator dgt. 3 vit.



1. Apăsați acest buton când doriți să acționați produsul în viteza 1.
2. Apăsați acest buton când doriți să acționați produsul în viteza 2.
3. Apăsați acest buton când doriți să acționați produsul în viteza 3.
4. Apăsați acest buton când doriți să porniți luminile produsului.

Selectarea vitezei

Aparatul are o ventilație cu 3 niveluri. Unul dintre nivelurile de ventilație mică-medie-mare este selectată potrivit vaporilor de la gătit și fript. Începe apăsând butoanele de control al motorului de pe panoul frontal. Modelele controlate electronic au temporizator automat.

Temporizatorul

Dacă apăsați oricare dintre butoanele de pornire a motorului mai mult de 2 secunde, o funcție a temporizatorului se va activa cu o durată de 15 minute. Afișajul va emite un semnal atunci când temporizatorul începe și motorul se va opri automat după 15 minute.

Perioadele de curățare a filtrului din metal:

Filtrele trebuie curățate atunci când apare semnalul „C” pe ecran sau (în funcție de utilizare) după 2-3 săptămâni. Atunci când filtrele sunt curățate și montate la locurile lor, apăsați butonul mai mult de 3 secunde pentru a șterge semnalul „C” (atunci când produsul este inactiv). Pe ecran va apărea litera „E”, iar aparatul va începe să funcționeze normal. Dacă se dorește continuarea operațiunii fără a șterge semnalul „C”, când apăsați butonul, operațiunea activă va fi observată pentru 1 sec. și semnalul „C” va reapărea și motorul va continua să ruleze.



ATENȚIE: Semnalul „C” va apărea la sfârșitul perioadei de 1 2 3 4 5 utilizare a aparatului de 60 de ore.

8 Utilizarea produsului

Comutator dgt. 5 vit.



ATENȚIE: Semnul „C” va apărea la sfârșitul perioadei de utilizare a aparatului de 60 de ore.



ACTIVARE/DEZACTIVARE: Echipamentul a porni odată cu apăsarea butonului.



Viteză redusă: Viteza se va reduce dacă este apăsat acest buton.



Viteză mărită: Viteza va crește dacă este apăsat acest buton.



Cronometru: Când bulonul este apăsat, o funcție de temporizare este activată pentru 15 minute și, odată ce începe temporizarea, afișajul dă un semnal și motorul se oprește automat după 15 minute.



Lampă: Lampa va porni odată cu apăsarea butonului. Apăsați din nou acest buton pentru a stinge becul.

Perioadele de curățare a filtrelor:

Filtrele trebuie curățate atunci când apare semnalul „C” pe ecran sau (în funcție de utilizare) după 2-3 săptămâni. Atunci când filtrele sunt curățate și montate la locurile lor, apăsați butonul mai mult de 3 secunde pentru a șterge semnul „C” (atunci când produsul este inactiv) . Pe ecran va apărea litera „E”, iar aparatul va începe să funcționeze normal. Dacă se dorește continuarea operațiunii fără a șterge semnalul „C” când apăsați butonul , operațiunea activă va fi observată pentru 1 sec. și semnalul „C” va reapărea și motorul va continua să ruleze.



Semnul „C” va apărea la sfârșitul perioadei de utilizare a aparatului de 60 de ore.

Folosirea eficientă referitor la economisirea energiei:

- Când folosiți hota, ajustați setările de viteză conform vaporilor și intensității mirosului, pentru a economisi energie.
- Folosiți viteze mici (1-2) în condiții normale și viteze mari (3) în mirosuri intense și vapori.
- Lămpile de pe hotă sunt plasate pentru iluminarea zonei de gătit. Folosirea lor pentru lumina ambientală va produce consum de energie inutil și lumină insuficientă.

Folosirea produsului:

- Hota dvs. conține un motor care are viteze diferite.

9 Înlocuirea becurilor



PERICOL: Deconectați alimentarea cu energie electrică a hotei. Așteptați să se răcească becurile deoarece sunt fierbinți și vă pot provoca arsuri la mâini.

9.1 Înlocuirea becului cu halogen

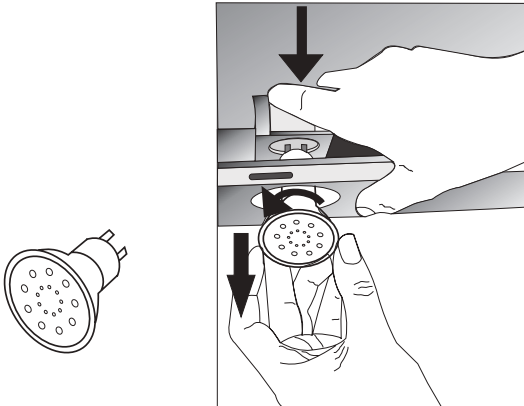


Fig. 13: Înlocuirea becului LED

Scoateți suportul filtrului de aluminiu. Scoateți becul defect și înlocuiți-l cu unul nou, de același tip. Fig. 13

9.2 Înlocuirea becului bujiei

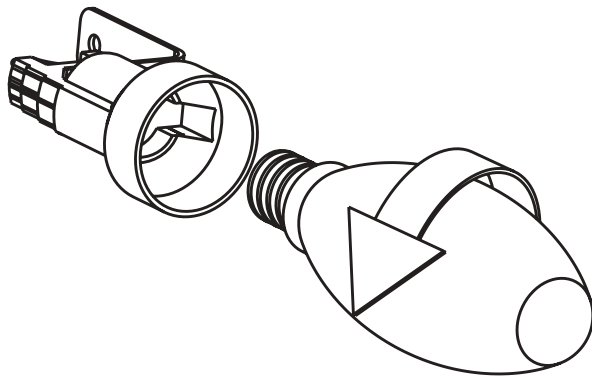
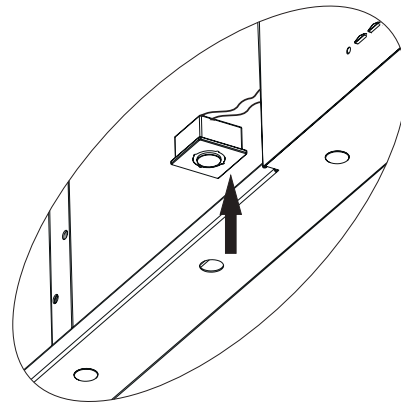


Fig. 14: Înlocuirea becului bujiei

Scoateți suportul filtrului de aluminiu. Scoateți becul defect și înlocuiți-l cu unul nou, de același tip. Fig. 14

9.3 Înlocuirea becului cu halogen



1W

- Deconectați conexiunea electrică a lămpii LED.
- Împingeți lampa cu mâna, pentru a o îndepărta.
- Separați banda autoadezivă din jurul lămpilor de placa corpului principal.
- Înainte să amplasați lampa LED, îndepărtați folia protectivă de cadru, și apoi plasați-o la loc pe corpul produsului.

10 Serviciul tehnic autorizat

Dacă lumina nu funcționează.

- Asigurați-vă că aparatul este conectat la rețea și că siguranțele nu sunt defecte.
- Verificați becurile. Asigurați-vă că ați scos din priză aparatul înainte a acestei verificări. Strângeți becurile dacă sunt deșurubate; puteți înlocui becurile dacă tot nu merge.

10.1 Posibile defecțiuni și rezolvarea acestora înainte de a suna la serviciul tehnic

10.1.1 În cazul în care aparatul nu funcționează în niciun fel:

- Verificați dacă aparatul este conectat la rețea sau dacă ștecherul este bine introdus în priză.
- Verificați siguranța la care este conectat aparatul și întrerupătorul principal al casei.

10.1.2 În cazul în care aparatul nu funcționează corespunzător sau face zgomot puternic în timp ce funcționează:

- Diametrul tubului de evacuare a aparatului este corespunzător? (min.120 mm).
- Filtrele metalice sunt curate? Verificați.
- Dacă folosiți hota fără tub de evacuare, asigurați-vă că filtrele de carbon nu sunt mai vechi de 6 luni.
- Asigurați-vă că bucătăria dumneavoastră este suficient de bine ventilată pentru a asigura circulația aerului. În cazul în care sunteți, în continuare, nemulțumiți de performanța aparatului dumneavoastră, contactați serviciul autorizat.

10 Serviciul tehnic autorizat

10.2 Defecțiuni posibile și soluții

Descrierea defecțiunii	Motiv	Ajutor
Aparatul nu funcționează	Verificați conexiunea cablului de alimentare	Tensiunea de alimentare trebuie să fie 220-240 V, iar produsul trebuie să fie conectat la o priză cu împământare
Becul de iluminat nu funcționează	Verificați conexiunea cablului de alimentare	Tensiunea de alimentare trebuie să fie 220-240 V, iar produsul trebuie să fie conectat la o priză cu împământare
Becul de iluminat nu funcționează	Verificați conexiunea cablului de alimentare	Înterupătorul becului trebuie să fie în poziția „on” (pornit)
Becul de iluminat nu funcționează	Verificați becurile	Becurile trebuie să fie funcționale
Intrarea de aer la aparat este slabă	Verificați filtrul de aluminiu	În condiții normale de funcționare, suportul filtrului de aluminiu trebuie curățat cel puțin o dată pe lună
Intrarea de aer la aparat este slabă	Verificați tubul de evacuare a aerului	Tubul de evacuare a aerului trebuie să fie deschis
Intrarea de aer la aparat este slabă	Verificați filtrul de carbon	La produsele cu filtru de carbon, acesta trebuie înlocuit o dată la 3 luni, în condiții normale de utilizare
Aparatul nu evacuează aerul (utilizare fără tub de evacuare)	Verificați filtrul de aluminiu	În condiții normale de funcționare, suportul filtrului de aluminiu trebuie curățat cel puțin o dată pe lună
Aparatul nu evacuează aerul (utilizare fără tub de evacuare)	Verificați filtrul de carbon	La produsele cu filtru de carbon, acesta trebuie înlocuit o dată la 3 luni, în condiții normale de utilizare

10.3 Diagrama tehnică

Tensiune de alimentare	220 - 240 V 50 Hz
Clasa de izolație motor	F
Clasa de izolație	CLASA I





Prvo pročitajte ovo uputstvo za upotrebu!

Poštovani kupci,

Zahvaljujemo vam na kupovini proizvoda kompanije Beko. Nadamo se da ćete na najbolji mogući način iskoristiti Vaš proizvod, koji je napravljen sa visokim kvalitetom i vrhunskom tehnologijom. Stoga, pročitajte celokupni priručnik za upotrebu i sve druge prateće dokumente pažljivo pre korišćenja proizvoda i sačuvajte ih za buduću upotrebu. Ako ovaj proizvod predate trećem licu, priložite i ovo korisničko uputstvo. Poštujte sva upozorenja i informacije u priručniku.

Značenje simbola

Sledeći simboli se koriste u raznim odeljcima ovog uputstva:

	Važne informacije ili korisni saveti u vezi sa upotrebom.
	UPOZORENJE: Upozorenje zbog situacija opasnih po život ili svojinu.
	Upozorenje zbog strujnog udara.
	Upozorenje zbog vrelih površina.

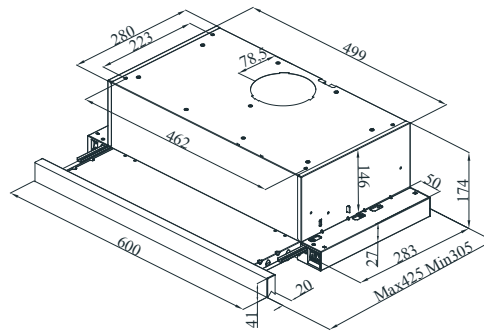
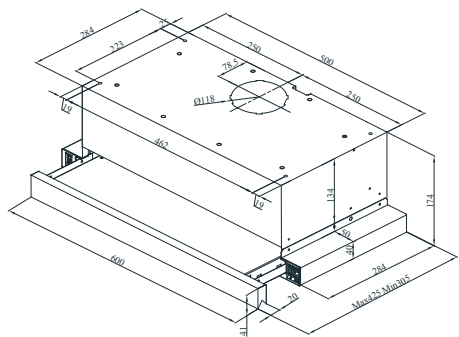
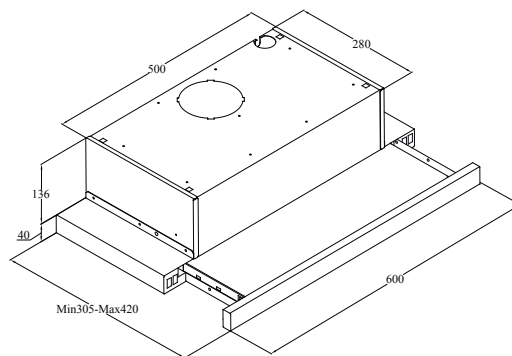
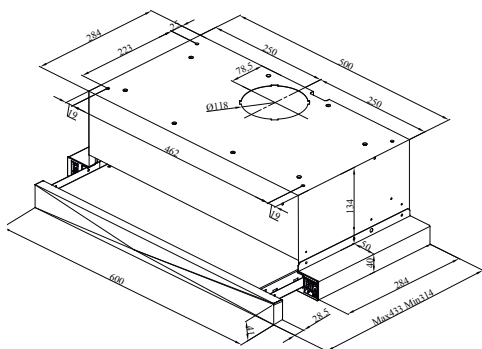
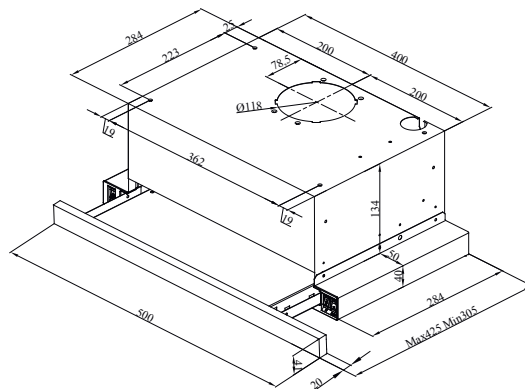
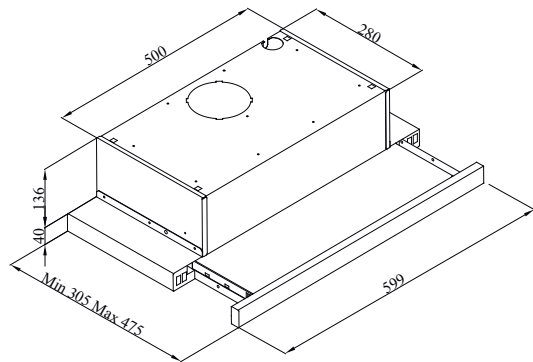


Ovaj proizvod je proizveden u ekološkim i modernim objektima.

Uređaj je usklađen sa WEEE direktivom.



Ne sadrži PCB.



HNT 61310 X

SI. 1: Tehnički pregled

1

Važna uputstva u vezi sa bezbednošću i zaštitom životne sredine

- Ovaj uređaj mogu da koriste deca koja imaju 8 i više godina, osobe sa nepotpuno razvijenim telesnim, senzornim ili mentalnim sposobnostima, kao i osobe koje nemaju dovoljno potrebnog iskustva i/ili znanja sve dok su pod nadzorom ili im se daju uputstva u pogledu bezbedne upotrebe i dok shvataju rizike koji su obuhvaćeni upotrebom proizvoda.
- Ovaj uređaj je namenjen za primenu u domaćinstvu.
- Napajanje: 220-240 V ~ 50 Hz.
- Električna bezbednost uređaja garantuje se isključivo kada je povezan sa pravilno instaliranim sistemom zaštitnog provodnika sa uzemljenjem (PE). Povezivanje sa utičnicom za struju bez PE provodnika je zabranjeno.
- Ako imate nedoumica, ovlašćeni serviser mora da pregleda električni sistem.
- Instalacija od strane nekvalifikovanog lica može da dovede do niskog učinka, oštećenja proizvoda, propadanja ili nezgoda.
- Sprečite oštećenje kabla za napajanje tako što ga nećete stiskati, savijati ili trljati ga po oštrim ivicama. Držite električni kabl podalje od vrućih površina i otvorenog plamena.
- Nemojte da priključite uređaj u strujnu utičnicu pre pravilne instalacije.
- Postavite aparat tako da je utikač uvek dostupan.
- Nikada nemojte da dodirujete lampu aspiratora nakon dužih perioda korišćenja aspiratora, sačekajte da se lampa ohladi. Vruće lampe mogu da opeku vašu kožu.
- Uređaj je namenjen za korišćenje u domaćinstvima i sličnim primenama, a nepoštovanje ovih uputstava poništava odobrenu garanciju.
- Poštujte pravila koja postavljaju nadležni organi u vezi sa izduvavanjem vazduha. (Ovo upozorenje se ne primenjuje u slučaju upotrebe koja ne podrazumeva izduvnu cev.)
- Flambè stil kuvanja je zabranjen ispod aspiratora.

1

Važna uputstva u vezi sa bezbednošću i zaštitom životne sredine

- Uključite uređaj nakon što postavite tiganj, lonac itd. na šporet; u suprotnom, visoka temperatura može da izazove deformisanje delova uređaja.
- Isključite gorionik pre nego što uklonite tiganj, lonac itd. sa šporeta.
- Nemojte da ostavljate vrelo ulje na šporetu. Mašine za pranje sudova u kojima se nađe vrelo ulje mogu da izazovu požar.
- Razlog je taj što ulje može da se zapali prilikom pečenja određenih jela, tako da obratite pažnju na zavese i stolnjake.
- Proverite da li su filteri uređaja blagovremeno zamenjeni.
- Filteri koji se ne mogu menjati predstavljaju rizik od požara zbog masnoće koja se nagomilava u njima.
- Nemojte da koristite materijale za filter otporne na požar umesto regularnih filtera.
- Nemojte da koristite uređaj bez filtera i nemojte da uklanjate filtere dok je uređaj uključen.
- U slučaju požara isključite aspirator i uređaje za kuvanje iz strujne utičnice. (Isključite uređaj iz strujne utičnice ili isključite glavni prekidač.)
- Ako se periodično čišćenje vašeg proizvoda ne obavi blagovremeno, može doći do rizika od požara.
- Izvucite utikač aparata iz struje pre servisiranja. (Isključite uređaj iz strujne utičnice ili isključite glavni prekidač.)
- Ako se aspirator koristi u isto vreme kada i uređaji koji za pogon koriste goriva umesto struje, negativan pritisak u prostoriji ne sme da premaši 4 Pa (4 x 10 bara).
- Gorionici na goriva kao što su sobni sistemi za grejanje koji se nalaze u istom okruženju kao i proizvod moraju da budu u potpunosti izolovani od izduvnog sistema ovog proizvoda ili moraju da budu hermetički zaptiveni.
- Ako je uređaj povezan sa izlaznom cevi, koristite cevi prečnika 150 mm ili 120 mm.
- Dužina cevi za povezivanje, kao i broj delova u obliku slova L, treba da bude što manja.

1

Važna uputstva u vezi sa bezbednošću i zaštitom životne sredine

- Deca ne smeju da se igraju aparatom.
- Radi bezbednosti koristite osigurač „MAX 6 A“ u sistemu aspiratora.
- Pošto materijali pakovanja mogu da budu opasni, držite ih van domašaja dece.
- Ako je kabl za napajanje oštećen, mora ga zameniti proizvođač, serviser ili stručno osoblje sa sličnim kvalifikacijama da bi se izbegao svaki oblik opasnosti.
- U slučaju požara isključite aspirator i uređaje za kuvanje iz strujne utičnice i prekrijte nečim mesto plamena da ga suzbijete. Nikada nemojte da koristite vodu za gašenje plamena.
- Kada su uređaji za kuvanje uključeni, izloženi elementi mogu da budu vreli.
- Ovaj aparat ne smeju da koriste osobe sa smanjenim fizičkim, senzornim i mentalnim sposobnostima (uključujući decu), ili sa nedostatkom iskustva i znanja, osim ako nisu pod nadzorom lica koje je odgovorno za bezbednu upotrebu uređaja.
- Nakon instalacije aspiratora razdaljina između ovog proizvoda i bilo kog drugog električnog šporeta mora da bude najmanje 65 cm, a najmanje 75 cm između ovog proizvoda i drugih šporeta na gas ili uređaja za kuvanje koji za pogon koriste druga goriva.
- Izlazna cev aspiratora ne sme da bude povezana sa crevima za izbacivanje dima drugih uređaja.
- Treba voditi računa kada se uređaj koristi u isto vreme kao i drugi uređaji koji koriste isti vazduh u istom okruženju (npr. gas, dizel gorivo, ugalj ili drvo, bojler itd.). Razlog je to što aspirator može da smanji sagorevanje dok oslobađa vazduh u atmosferu u sobi.
- Ovo upozorenje nije primenljivo u slučaju kada se uređaj koristi bez evakuacionog creva.
- Kada se aspirator koristi u isto vreme kada i uređaji na gas ili druga goriva, prostorija mora da bude dovoljno provetrena (to nije nužno primenljivo kod uređaja koji prazne vazduh natrag u prostoriju).

Važna uputstva u vezi sa bezbednošću i zaštitom životne sredine

- Istovremen rad više šporeta dovodi do proizvodnje ogromne količine toplote. Stoga, ventilacioni uređaj koji se postavlja na površinu za kuvanje može da se ošteti ili izgori. Nemojte koristiti dva šporeta na gas u uslovima kada se proizvede velika količina toplote duže od 15 minuta. Veliki gorionik sa radnim kapacitetom koji je veći od 5 kW ima snagu jednaku snazi dva gorionika na gas.

1.1 Usaglašenost sa WEEE direktivom i odlaganje otpada:

Ovaj proizvod je usaglašen sa WEEE direktivom Evropske unije (2012/19/EU). Ovaj proizvod nosi simbol klasifikacije za električni i elektronski otpad (WEEE).



Ovaj proizvod je proizveden korišćenjem visokokvalitetnih delova i materijala koji se mogu ponovo iskoristiti i koji su pogodni za reciklažu. Ne odlažite ovaj otpad zajedno sa normalnim kućnim i drugim otpadom na kraju radnog veka. Odnosite ga u centar za prikupljanje za reciklažu električne i elektronske opreme. Konsultujte se sa svojim lokalnim vlastima da biste saznali o ovim centrima za sakupljanje otpada.

Usaglašenost sa RoHS direktivom

Proizvod koji ste kupili u saglasnosti je sa RoHS direktivom Evropske unije (2011/65/EU). On ne sadrži štetne i zabranjene materijale navedene u direktivi.

1.2 Informacije o pakovanju



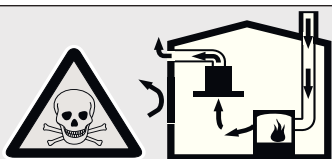
Ambalažni materijali ovog proizvoda su napravljeni od materijala koji mogu da se recikliraju u skladu sa nacionalnim propisima o zaštiti životne sredine. Ambalažne materijale ne odlagati zajedno sa kućnim ili drugim otpadom. Odnosite ih na mesta za prikupljanje ambalažnog materijala određena od strane lokalne vlasti.

2 Bezbednosna upozorenja

2.1 Bezbednosna upozorenja



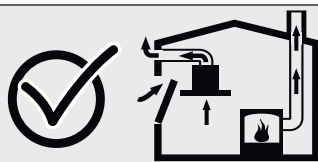
UPOZORENJE: Postoji rizik od smrti i trovanja usled reapsorbirajućih gasova sagorevanja. Tokom korišćenja izduvnog sistema nemojte da koristite uređaj zajedno sa drugim uređajima koji emituju toksične gasove kroz izduvne cevi, kao što su vazduh, gas, ugalj ili drvo, bojler, grejači za vodu itd. osim ako postoji adekvatan protok vazduha tokom upotrebe.



Sl. 2 Opasnost od trovanja

Uređaji za recirkulaciju vazduha (npr. sistemi za grejanje na gas, drva ili ugalj, bojleri, grejači za vodu) sakupljaju vazduh sagorevanja na mestu instalacije i izbacuju otpadne gasove kroz sistem za otpadne gasove (npr. izduvna cev). Kada je aspirator aktivan, usisava vazduh iz kuhinje i susednih prostorija. Ako ulazak vazduha nije adekvatan, može se stvoriti vakuum. U tom slučaju toksični gasovi se apsorbiraju iz izduvne cevi i kanala za izduvni gas, a zatim ponovo ulaze u prostoriju. Sl. 2

Iz tog razloga uvek treba održavati adekvatan ulazak svežeg vazduha. Sl. 3



Sl. 3



OPASNOST: Rizik od požara! Zbog varnica, postavljanje aspiratora na uređaj za zagrevanje na čvrsto gorivo (npr. drvo ili ugalj) dozvoljeno je isključivo ako se na njemu nalazi poklopac koji se ne može ukloniti. Prilikom procesa instalacije mora se obratiti pažnja na aktuelne propise o gradnji i propise lokalnih kompanija koje obezbeđuju električnu energiju i gas. Ako se uređaj ne čisti u skladu sa uputstvima za čišćenje, može da izazove požar.

2.2 Rizik od strujnog udara



OPASNOST: Nemojte da presavijate ili gnječite strujni kabl tokom procesa instalacije.

2.3 Rizik od povrede!



OPASNOST:

- Tokom instalacije postoji rizik od povrede zbog oštih ivica. Uvek koristite zaštitne rukavice prilikom instaliranja uređaja.
- Svi zavrtnji i bezbednosni poklopci moraju da se postave kao što je opisano u priručniku za korisnika zbog rizika od pada uređaja.

2 Bezbednosna upozorenja

2.4 Rizik od opekotina, opasnost od strujnog udara



OPASNOST:

- Dopustite da se uređaj ohladi pre čišćenja ili održavanja. Isključite osigurač ili isključite uređaj iz strujne utičnice.
- Postoji rizik od oštećenja zbog infiltracije vlažnosti na električnim delovima. Nemojte da čistite upravljačke dugmiće vlažnom krpom.
- Nepravilno čišćenje može da oštetiti površinu. Prilikom čišćenja površina od nerđajućeg čelika uvek pratite smer teksture. Nemojte da koristite proizvode za čišćenje površina od nerđajućeg čelika prilikom čišćenja upravljačkih dugmića.
- Agresivno čišćenje ili abrazivna sredstva za čišćenje mogu da oštete površinu. Nikada nemojte da koristite hemijska agresivna ili abrazivna sredstva za čišćenje.
- Postoji rizik od oštećenja zbog refleksa kondenzacije. Postavite cevi za izlaz vazduha nadole u odnosu na uređaj (nagib od 1°).



Ako je uređaj oštećen ili ne funkcioniše, isključite osigurač ili isključite kabl za napajanje uređaja iz utičnice i pozovite ovlašćeni servisni centar.



Ako je kabl za napajanje oštećen, mora ga zameniti proizvođač, serviser ili stručno osoblje sa sličnim kvalifikacijama da bi se izbegao svaki oblik opasnosti.



Ako sijalice ne rade, isključite osigurač ili isključite kabl za napajanje uređaja iz utičnice. Da biste izbegli preopterećenje drugih sijalica, odmah zamenite neispravne sijalice (sačekajte da se lampa ohladi).



OPREZ: Kada se koriste kod uređaja za kuvanje, izloženi elementi mogu da postanu vreli.



OPASNOST: Izlaz za vazduh ovog uređaja nikada ne sme da se poveže sa kanalima za izbacivanje dimnih gasova drugih mašina na gas ili drugih uređaja na gas.

2.5 Rizik od požara i telesne povrede!



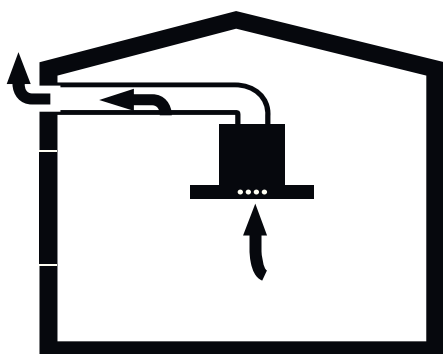
OPASNOST: Ako se popravke ne obave u skladu sa propisima ili zahtevima, isključite osigurač ili isključite kabl za napajanje svoje mašine iz utičnice. Popravke se smeju obavljaju isključivo ovlašćeni serviser ili stručno osoblje.

3 Uputstva za upotrebu

Možete da koristite ovaj uređaj u režimu za izbacivanje vazduha i režimu za ventilaciju vazduha.

3.1 Režim za izbacivanje vazduha

Usisani vazduh se čisti filterima za masnoću i izbacuje se kroz sistem cevovoda.



Sl. 4: Izbacivanje vazduha bez filtera sa aktivnim ugljem



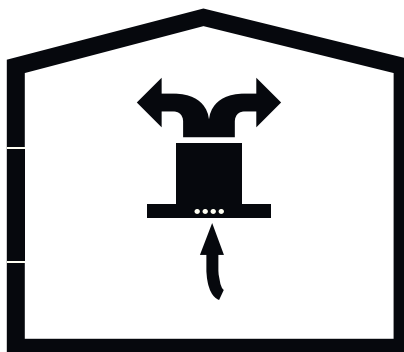
UPOZORENJE: Rizik od smrti!

Reapsorbovani izduvni gasovi mogu da izazovu trovanje. Izduvni vazduh ne treba da se prenosi u izduvne cevi koja nije namenjena za dim ili cev za otpadne gasove, a ni u izduvnu cev koja se koristi za ventilaciju određenih mesta gde su instalirani izvori toplote.

- Ako želite da prebacite izduvni vazduh u cev za izbacivanje dima ili cev za otpadne gasove, morate da dobijete dozvolu ovlašćenog odžaćara.
- Ako se izduvni vazduh izbacuje kroz spoljašnji zid, mora se koristiti teleskopska zidna kaset.

3.2 Izbacivanje vazduha uz filter sa aktivnim ugljem

Usisani vazduh se čisti filterima za masnoću i filterom sa aktivnim ugljem, a zatim se preusmerava u kuhinju.



Sl. 5: Izbacivanje vazduha filterom sa aktivnim ugljem

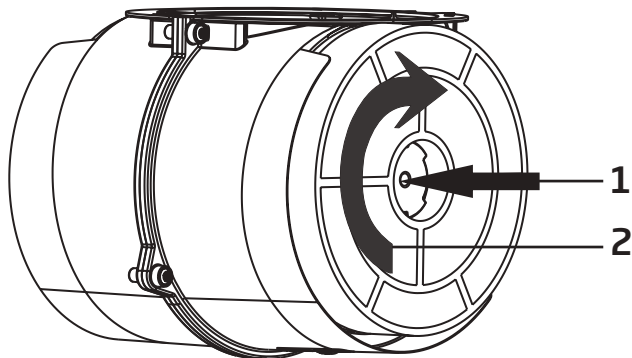
Za uklanjanje supstanci koje proizvode neprijatan miris iz vazduha, morate da povežete filter sa aktivnim ugljem sa uređajem. Proverite da ovlašćenim prodavcem nekoliko dostupnih opcija gde se uređaj može koristiti u režimu ventilatora. Možete da kupite neophodne dodatke za ovaj postupak u prodavnici u svojoj blizini, u ovlašćenom servisu ili onlajn prodavnicama.

3.3 Zamena filtera sa aktivnim ugljem

Za uređaje bez izduvnih cevi mora se instalirati filter sa aktivnim ugljem za recirkulaciju i ponovno filtriranje vazduha. Filter sa aktivnim ugljem treba kupiti od svog servisera ili prodavca. Isključite uređaj iz strujne utičnice pre zamene filtera sa aktivnim ugljem. Pošto se filter sa aktivnim ugljem koristi u kuhinjama bez izduvnih cevi, potrebno je da se zameni novim filterom na svakih 3 do 5 meseci, u zavisnosti od stepena korišćenja. Filter sa aktivnim ugljem nikada ne sme da se pere. Bilo da se filter sa aktivnim ugljem koristi ili ne, filteri za masnoću se moraju instalirati. Nemojte da koristite uređaj bez filtera za masnoću.

3 Uputstva za upotrebu

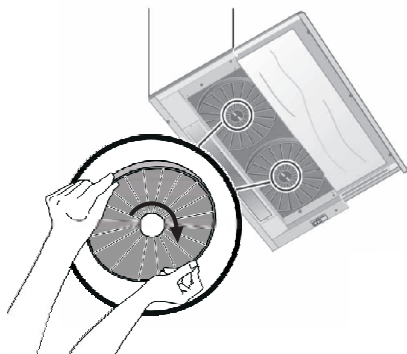
3.4 Zamena filtera sa aktivnim ugljem AF 90



Sl. 6: Filter sa aktivnim ugljem AF 90

Uređaj koji ste kupili pogodan je za korišćenje filtera sa aktivnim ugljem AF 90.

1. Stavite filter sa aktivnim ugljem u odgovarajući prorez. Sl. 6
2. Okrenite filter sa aktivnim ugljem u smeru kretanja kazaljke na satu i proverite da li je pravilno postavljen. Sl. 6



Ako nije pravilno postavljen, filter sa aktivnim ugljem može da ispadne i da ošteti proizvod.

3. Stavite filter sa aktivnim ugljem u odgovarajući prorez. Sl. 6
4. Okrenite filter sa aktivnim ugljem u smeru kretanja kazaljke na satu i proverite da li je pravilno postavljen. Sl. 6



OPASNOST: Nemojte da perete filtere sa aktivnim ugljem. Nemojte da ostavljate filtere sa aktivnim ugljem na mestima koja su dostupna deci.

4 Uputstva za čišćenje i održavanje

• UPOZORENJE!

- Pre svake radnje održavanja i čišćenja aspirator mora da se isključi, a uređaj mora da se isključi iz izvora napajanja.
- Čišćenje i održavanje uređaja ne smeju da obavljaju deca bez nadzora.
- Agresivno čišćenje ili abrazivna sredstva za čišćenje mogu da oštete površinu. Nikada nemojte da koristite agresivna ili abrazivna sredstva za čišćenje. Kupite odgovarajuća sredstva za čišćenje i zaštitu za svoj uređaj u ovlašćenom servisnom centru. Površina mašine i kontrolne jedinice su osetljive na grebanje.
- Čistite površine mekanom, vlažnom krpom, deterdžentom za pranje sudova ili sredstvom za čišćenje stakla koje nije agresivno. Uklonite sve zakorele ostatke masnoće korišćenjem vlažne krpe. Nemojte da grebete!
- Upotreba suvih krpa, abrazivnih sunđer, proizvoda koji izazivaju trenje i drugih sredstava za čišćenje koji sadrže pesak, sodu, kiselinu ili hlor nije prikladna.
- Čistite površine od nerđajućeg čelika u originalnom smeru teksture.
- Nemojte da koristite sredstva za čišćenje za nerđajući čelik i vlažne krpe na kontrolnim jedinicama.
- Čišćenje filtera za masnoću - iskorišćeni metalni filteri za masnoću zadržavaju čestice masnoće iz vazduha u kom je prisutna masnoća i iz pare koja se generiše u kuhinji. U normalnim uslovima korišćenja (1-2 sata dnevno) čišćenje filtera za masnoću treba da se obavlja nakon približno svaka tri meseca.
- Nemojte da koristite sredstva za čišćenje sa preterano intenzivnim dejstvom, alkalije ili kiseline.
- Prilikom čišćenja filtera za masnoću takođe očistite i metalne spone filtera za masnoću na uređaju vlažnom krpom.

4.1 Pranje filtera za masnoću u mašini za pranje sudova

- Možete da perete filtere za masnoću u mašini za pranje sudova ili ručno.
- Prilikom pranja filtera u mašini, njihova boja se može blago izmeniti. To ne utiče na efikasnost filtera za masnoću.
- Nemojte da perete izuzetno zaprljane metalne filtere za masnoću zajedno sa posuđem.
- Postavite filtere za masnoću u mašinu za pranje sudova bez pretrpavanja mašine.

4.2 Ručno pranje

- Možete da koristite posebni rastvarač za masnoću uklonite upornu prljavštinu. Ova vrsta rastvarača se može kupiti u ovlašćenom prodajnom centru.
- Očistite filtere za masnoću u vrućoj vodi korišćenjem deterdženta za pranje sudova.
- Koristite četku za čišćenje i sačekajte da se tečnost na metalnim filterima za masnoću u potpunosti osuši.
- Isperite filtere temeljno nakon čišćenja.

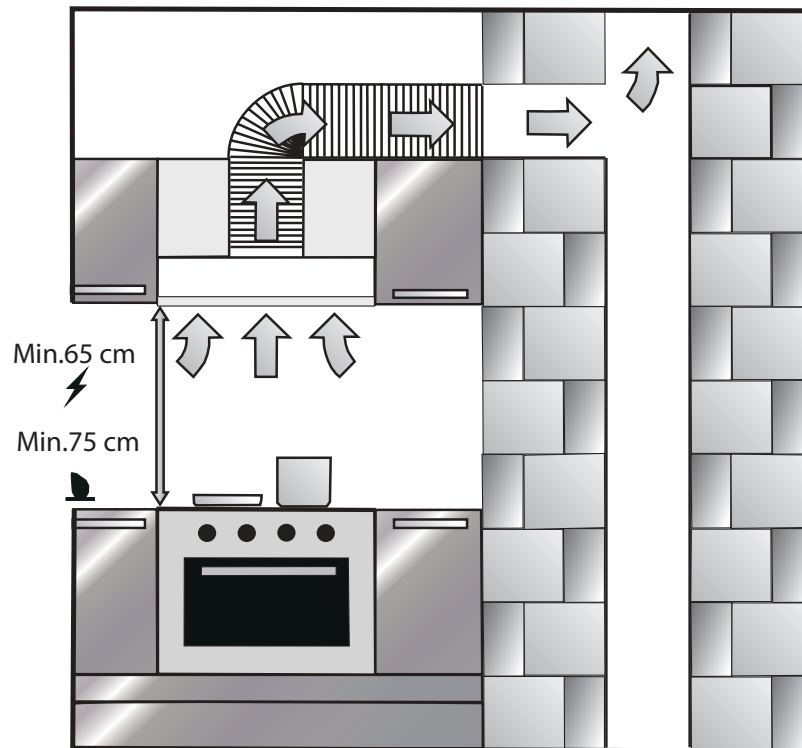


UPOZORENJE: Ako se čišćenje metalnog filtera za masnoću obavlja blagovremeno, lakše će se izbeći rizik od požara koji izaziva generisanje prekomerne količine toplote tokom prženja.

4.3 Uklanjanje/postavljanje aluminijumskog filtera

Povucite aluminijumski filter prema sebi pritiskom na odgovarajuće dugme. Obrnite postupak da instalirate filter.

5 Uputstva za instalaciju



Sl. 7: Instalacija uređaja

Nakon instalacije aspiratora razdaljina između proizvoda i bilo kog električnog šporeta mora da bude najmanje 650 mm, a 750 mm između proizvoda i šporeta na gas ili uređaja za kuvanje na druga goriva. Sl. 7

5.1 Instalacija i raspakivanje uređaja

Proverite da li uređaj ima oštećenja.

- Oštećenja nastala tokom transporta treba da se odmah prijave kuriru.
- Vidljivi defekti se takođe moraju prijaviti prodavcu.
- Nemojte da dozvoljavate da se deca igraju pakovanjem!!!

5.2 Instalacija i raspakivanje uređaja

- Periodično menjajte filtere sa aktivnim ugljem.
- Uvek čistite aluminijumske filtere. Pošto prljavi filteri blokiraju ulaz vazduha, uređaj će morati da radi pri većoj usisnoj brzini.
- Koristite proizvod pri odgovarajućim brzinama.
- Korišćenje uređaja pri visokim brzinama povećaće potrošnju energije.

5 Uputstva za instalaciju

5.3 Režim za izbacivanje vazduha

• UPOZORENJE

Rizik od smrti!

Reapsorbovani izduvni gasovi mogu da izazovu trovanje. Izduvni vazduh ne sme da se prebacuje u kanal dimnih gasova ili tok otpadnog gasa ili u izduvnu cev koja se koristi za ventilaciju određenih mesta gde su instalirani drugi izvori toplote.

Ako želite da prebacite izduvni vazduh u cev za dim ili neaktivnu cev za izduvni gas, morate da dobijete dozvolu od ovlašćenog odžačara.

Ako se izduvni vazduh izbacuje kroz spoljašnji zid, mora se koristiti teleskopska zidna kasetna.

5.4 Izlaz za vazduh

Informacije: Proizvođač uređaja nije odgovoran za oštećenja izazvana iskorišćenim cevima.

- Mašina radi sa potpunim učinkom kada se koristi kratka i ravna izlazna cev za vazduh sa što većim prečnikom.
- Prilikom korišćenja dugačkih, grubih cevi, više cevi u obliku slova L ili cevi sa prečnikom manjim od 150 mm, optimalan učinak ventilacije ne može da se postigne i povećava se nivo buke ventilatora.
- Cevi ili creva koja se koriste za usmeravanje izduvnog vazduha ne smeju da budu napravljeni od zapaljivih materijala.

Cirkularan cevovod

Preporučljivo je da unutrašnji prečnik bude 150 mm ili najmanje 120 mm.

Ravne cevi

Unutrašnji odeljak mora da odgovara prečniku kružnih cevi.

Ø pribl. 150 mm 177 cm²

Ø pribl. 120 mm 173 cm²

- Ravne cevi ne smeju da imaju oštre cevi u obliku slova L.

- Koristite trake za zaptivanje za cevi sa različitim prečnicima.

5.5 Provera zida

- Zid mora da bude ravan, prav i treba da ima dovoljan kapacitet za opterećenje.
- Dubina rupa mora da bude u skladu sa dužinom zavrtnja. Tiplovi moraju da budu usklađeni.
- Montažni zavrtnji i tiplovi moraju da budu odgovarajući za upotrebu na krutim monolitnim zidovima. Koristite odgovarajuće pričvršćivače za različite vrste konstrukcija (npr. gipsana ploča, siporeks, protonske cigle).

5.6 Elektroinstalacije

• UPOZORENJE

Rizik od strujnog udara!

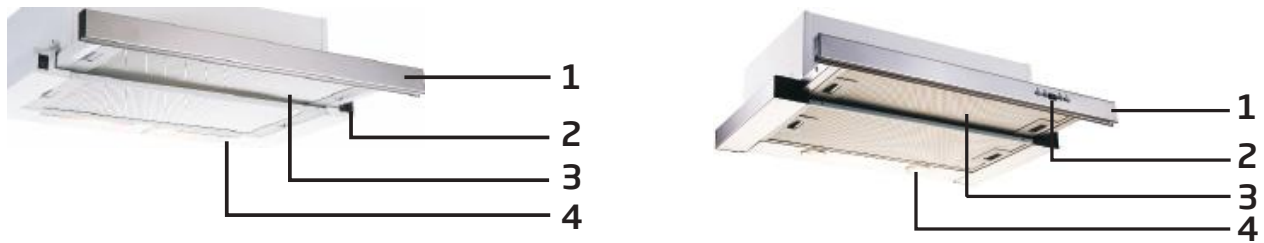
Komponente uređaja možda imaju oštre ivice. Kabl za povezivanje može biti oštećen. Nemojte da presavijate ili gnječite strujni kabl tokom instalacije.

Potrebni podaci o povezivanju priloženi su na oznaci u unutrašnjosti mašine; metalni filteri za masnoću moraju da se uklone da bi se videla oznaka.

Dužina kabla za povezivanje: približ. 1,3 m. Ovaj uređaj je usklađen sa Smernicama za uklanjanje smetnji Evropske unije.

Postarajte se da isključivanje uređaja iz strujne utičnice uvek bude moguće. Uređaj mora da bude povezan sa zaštićenom kontaktnom utičnicom, instalirano u skladu sa aktuelnim propisima. Ako je utikač van domašaja nakon instalacije ili tokom neophodnog fiksnog povezivanja, mora da postoji nekoliko sistema za razdvajanje polova koji su od instalacije udaljeni najmanje 3 mm. Fiksno povezivanje sme da obavlja isključivo ovlašćeni tehničar.

6 Pregled opreme



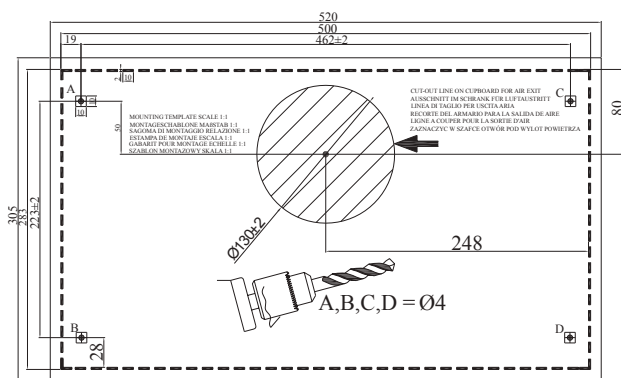
Sl. 9: Pregled aspiratora

1. Prednja tabla
2. Ključ
3. Filter
4. Osvetljenje

7 Uputstva za instalaciju

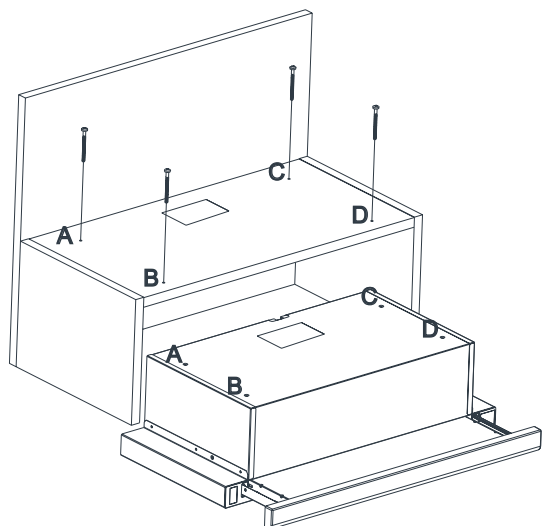
7.1 Bušenje zida i fiksiranje nosača

Izbušite rupe prečnika 4 mm u tačkama koje su označene slovima A, B, C, D na šemi za montažu. Slika 2



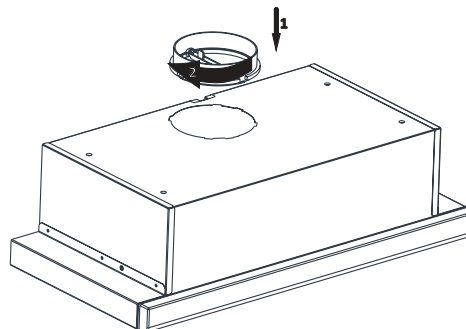
Slika 2

Oprema će se montirati na kućištu u tačkama A, B, C, D korišćenjem zavrtnja veličine 4 x 40 koji su isporučeni sa opremom. Prednja tabla ne treba da se tare o poklopac kućišta prilikom pomeranja sklopa klizača. Slika 3

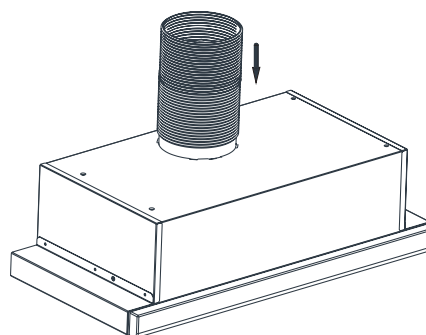


Slika 3

Postavite plastičnu cev koja je isporučena sa opremom na izduvnu cev opreme. Okrenite plastičnu cev u smeru kretanja kazaljke na satu. Slika 4



Slika 4



Slika 5

Postavite fleksibilnu aluminijumsku cev na izlaz plastičnog creva. Postavite drugi kraj cevi na otvore za cevi na zidu. Slika 5



UPOZORENJE: Pošto prelamanje i presavijanje aluminijumskih cevi smanjuje snagu usisavanja vazduha, tako da izbegavajte presavijanje ili prelamanje cevi.

Funkcije opreme

Aspirator se koristi u kuhinjama sa crevima ili bez njih.

Upotreba uređaja sa crevom;

Kada se koristi sa crevom, aspirator mora da bude povezan sa cevi koja oslobađa vazduh. Poželjno je da sistem cevovoda koji vodi do cevi bude najkraći mogući da bi se postigla maksimalna efikasnost kućišta. Vaš proizvod je proizveden u obliku koji je pogodan za upotrebu cevi.

8 Rukovanje i upotreba

Prekidač za tri brzine

Prekidač lampe



Postavite prekidač u položaj za režim lampe da uključite lampu. Klizni sklop mora da se odvoji da bi se uključila lamp.

3. Prekidač za cirkulaciju vazduha



Da biste pokrenuli mašinu u prvoj brzini, pomerite kliznim pokretom prekidač nagore. Da biste pokrenuli proizvod u drugoj brzini, pomerite prekidač nadole.

3. Prekidač za cirkulaciju vazduha pri turbo brzini



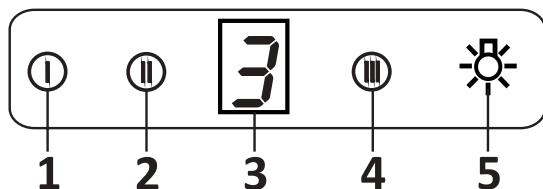
Da biste pokrenuli mašinu u trećoj brzini, pomerite kliznim pokretom prekidač nadole.

Prekidač za dve brzine



Proizvod ima 2 lampe i prekidač za kontrolu lampe. Klizni sklop mora da se odvoji da bi se uključila lamp.

Digitalni ekran za tri brzine



1. Pritisnite taster kada želite da pokrenete proizvod pri brzini 1.
2. Pritisnite taster kada želite da pokrenete proizvod pri brzini 2.

3. Pritisnite taster kada želite da pokrenete proizvod pri brzini 3.
4. Pritisnite taster kada želite da uključite lampu na proizvodu.

Izbor brzine

Uređaj ima ventilaciju od tri nivoa. Jedan od nivoa ventilacije - koji mogu biti nizak, srednji, visok - bira se u skladu sa vrstom kuvanja i isparavanja. Počnite pritiskom na dugmad za upravljanje motorom koja se nalazi na prednjoj tabli. Modeli sa elektronskim upravljanjem imaju automatski tajmer.

Tajmer

Ako pritisnete bilo koje dugme za pokretanje motora i zadržite pritisak duže od 2 sekunde, funkcija tajmera će se aktivirati tokom 15 minuta. Ekran će emitovati signal kada se tajmer pokrene, a motor će se automatski isključiti na 15 minuta.

Čišćenje metalnog filtera:

Filtere treba očistiti kada se znak „C” prikaže na ekranu ili (u zavisnosti od upotrebe) nakon 2-3 nedelje. Kada su filteri očišćeni i montirani na svoje položaje, pritisnite i držite dugme duže od 3 sekunde da biste uklonili znak „C” (dok je proizvod nije pokrenut). Slovo „E” se prikazuje na ekranu, a jedinica će početi da funkcioniše normalno. Ako želite da nastavite sa radom bez brisanja signala „C”, pritiskom na dugme, videćete aktivnu operaciju tokom 1 sekunde, a signal „C” će se ponovo prikazati dok će motor nastaviti da radi.

8 Rukovanje i upotreba



UPOZORENJE: Znak „C“ će se prikazati na kraju perioda od 60 časova.

Digitalni ekran za pet brzina



UPOZORENJE: Znak „C“ će se prikazati na kraju perioda korišćenja mašine od 60 časova.



UKLJUČIVANJE / ISKLJUČIVANJE: Oprema će se pokrenuti kada se pritisne dugme.



Smanjena brzina: Brzina će se smanjiti ako se ovo dugme pritisne.



Povećana brzina: Brzina će se povećati ako se ovo dugme pritisne.





Tajmer: Kada se dugme pritisne, funkcija tajmera se aktivira tokom 15 minuta, a kada se tajmer pokrene, ekran prikazuje signal, a motor se automatski zaustavlja nakon 15 minuta.



Lampa: Lampa će se pokrenuti kada se pritisne dugme. Ponovo pritisnite ovo dugme da isključite lampu.

Periodi čišćenja filtera:

Filtere treba očistiti kada se znak „E“ prikaže na ekranu ili (u zavisnosti od upotrebe) nakon 2-3 nedelje. Kada su filteri očišćeni i montirani na svoje položaje, pritisnite i držite dugme duže od 3 sekunde da biste uklonili znak „E“ (dok je proizvod u stanju mirovanja) . Slovo „E“ se prikazuje na ekranu, a jedinica će početi da funkcioniše normalno.

Ako želite da nastavite sa radom bez brisanja signala „E“, pritiskom na dugme  videćete aktivnu operaciju tokom 1 sekunde, a signal „E“ će se ponovo prikazati dok će motor nastaviti da radi.



Znak „E“ će se prikazati na kraju ciklusa korišćenja od 60 časova.

Efektivna upotreba i ušteda energije:

- Kada koristite aspirator, podesite brzinu za isparenja i intenzitet mirisa da biste uštedeli energiju.
- Koristite niske brzine (1-2) pod normalnim uslovima i visoke brzine (3) za intenzivne mirise i uslove isparenja.
- Halogene lampe su postavljene u cilju osvetljavanja zone kuvanja. Njihova upotreba za ambijentalno osvetljenje dovešće do nepotrebne potrošnje energije i nedovoljnog osvetljenja.

Korišćenje proizvoda:

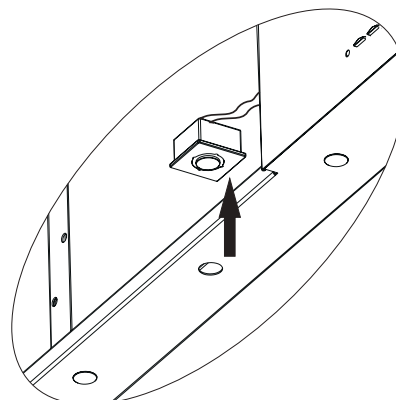
- Vaš aspirator sadrži motor koji ima različite brzine.

9 Zamena lampi

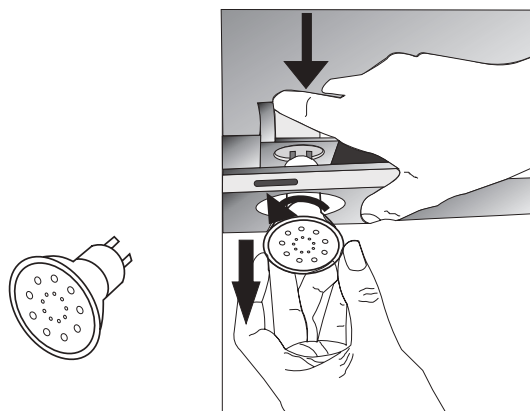


OPASNOST: Odvojite napajanje aspiratora. Sačekajte da se lampe ohlade jer su vrelе i mogu da dovedu do opekotina na vašim rukama.

9.3 Zamena LED lampe



9.1 Zamena halogene lampe



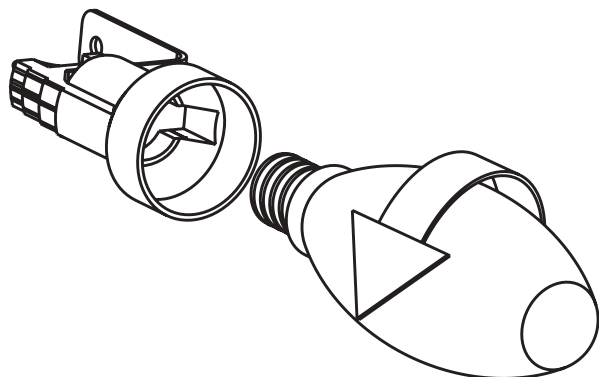
Sl. 13: Zamena LED lampe

Uklonite držač aluminijumskog filtera. Uklonite neispravnu lampu i zamenite je novom lampom istog tipa. Sl. 13

1 W

- Odvojite električni priključak za LED.
- Pritisnite lampu rukom da biste je uklonili.
- Odvojite samolepljivu traku oko lampi na ploči glavnog tela.
- Pre postavljanja LED lampe, uklonite zaštitni film sa okvira i postavite je na telo proizvoda.

9.2 Zamena lampe sa užarenim vlaknom



Sl. 14: Zamena lampe sa užarenim vlaknom

Uklonite držač aluminijumskog filtera. Uklonite neispravnu lampu i zamenite je novom lampom istog tipa. Sl. 14

10 Rešavanje problema

Ako lampe ne rade.

- Proverite da li je uređaj povezan sa napajanjem i da li osigurači nisu neispravni.
- Proverite lampe. Postarajte se da odvojite uređaj iz napajanja pre ove provere. Zategnite lampe ako su odvijene; možete da zamenite lampe ako proizvod i dalje ne radi.

10.1 Moguće greške i rešavanje grešaka pre pozivanja servisa

10.1.1 Ako uređaj ne radi:

- Proverite da li je mašina povezana sa napajanjem ili da li je utikač ispravno priključen.
- Proverite osigurač sa kojim su povezani uređaj i kućni prekidač.

10.1.2 Ako uređaj ne radi ispravno ili se tokom rada javlja jaka buka:

- Ako je izlazni prečnik uređaja odgovarajuć? (min. 120 mm).
- Da li su metalni filteri čisti? Proverite.
- Ako koristite aspirator bez izduvne cevi, postarajte se da filteri sa aktivnim ugljem nisu stariji od 6 meseci.
- Postarajte se da vaša kuhinja ima dobru ventilaciju da bi se omogućila ispravna cirkulacija vazduha. Ako i dalje niste zadovoljni učinkom mašine, obratite se ovlašćenom servisu.

10 Rešavanje problema

10.2 Mogući problemi i rešenja

Problem	Mogući uzrok	Radnja
Mašina ne radi	Proverite priključak kabla za napajanje	Napon mora biti između 220 V i 240 V, a proizvod mora biti povezan sa uzemljenom utičnicom
Lampa ne radi	Proverite priključak kabla za napajanje	Napon mora biti između 220 V i 240 V, a proizvod mora biti povezan sa uzemljenom utičnicom
Lampa ne radi	Proverite priključak kabla za napajanje	Prekidač za lampu mora da se nalazi u položaju ON (uključeno)
Lampa ne radi	Proverite lampe	Lampe moraju da budu funkcionalne
Neispravan ulaz za vazduh	Proverite aluminijumski filter	Pod normalnim uslovima rada, držač aluminijumskog filtera mora da se čisti najmanje jednom mesečno
Neispravan ulaz za vazduh	Proverite izlaz za vazduh	Cev izlaza za vazduh mora biti otvorena
Neispravan ulaz za vazduh	Proverite filter sa aktivnim ugljem	Kod proizvoda sa aktivnim ugljem, filtere treba menjati na svaka 3 meseca pod normalnim uslovima korišćenja
Uređaj ne odvodi vazduh (korišćenje bez izduvne cevi)	Proverite aluminijumski filter	Pod normalnim uslovima rada, držač aluminijumskog filtera mora da se čisti najmanje jednom mesečno
Jedinica ne izduvava vazduh (koristi se bez izduvne cevi)	Proverite filter sa aktivnim ugljem	Kod proizvoda sa filterom sa aktivnim ugljem, filtere treba menjati na svaka 3 meseca pod normalnim uslovima korišćenja

10.3 Tabela sa tehničkim specifikacijama

Napon napajanja	220-240 V 50 Hz
Klasa izolacije motora	F
Klasa izolacije	KLASA I

Prvo pročitate ovaj priručnik za korisnika!

Poštovani kupče,

Hvala vam što ste izabrali Beko proizvod. Nadamo se da ćete dobiti najbolje rezultate od vašeg proizvoda koji je proizveden uz visok kvalitet i najmoderniju tehnologiju. Stoga, pročitate pažljivo ovaj priručnik u potpunosti i sve druge popratne dokumente prije korištenja ovog proizvoda i čuvajte ga kao referencu za buduću upotrebu. Ako proizvod predate nekom drugom, uručite budućem korisniku takođe i ovaj priručnik. Pridržavajte se svih upozorenja i informacija iz korisničkog priručnika.

Značenje simbola

Sljedeći simboli se koriste u različitim odjeljcima ovog priručnika:

	Važne informacije i korisni savjeti o upotrebi.
---	---

	UPOZORENJE: Upozorenje za opasne situacije za život i imovinu.
---	---

	Upozorenje u vezi strujnog udara.
--	-----------------------------------

	Upozorenje u vezi vrućih površina.
---	------------------------------------

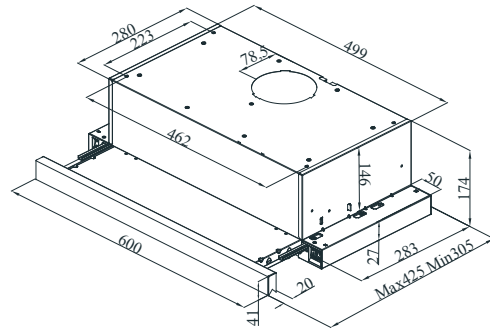
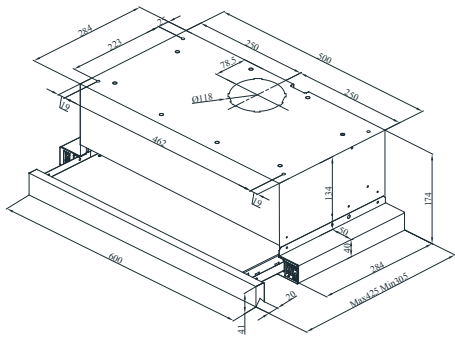
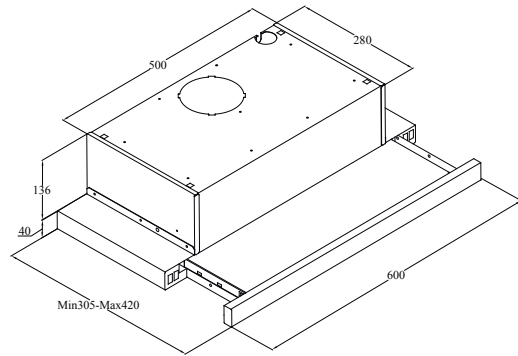
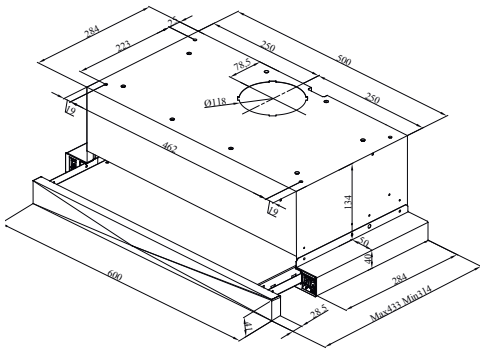
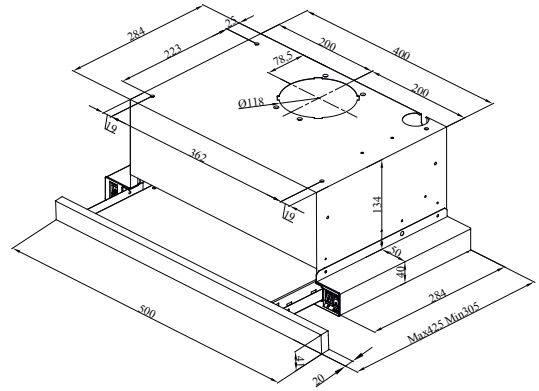
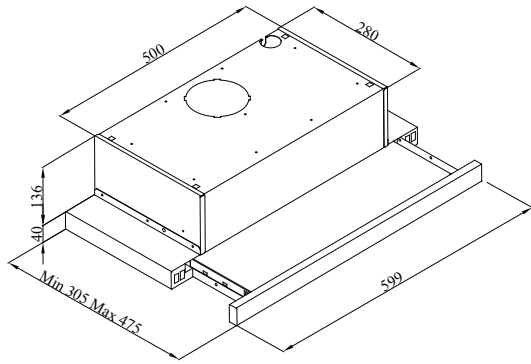


Ovaj proizvod je proizveden u ekološki prihvatljivim i modernim pogonima

Usklađen s WEEE propisima.



Ne sadrži PCB.



HNT 61310 X

Oznaka 1: Tehnički nacrt

- Ovim uređajem se mogu služiti djeca od dobi od 8 i više godina kao i osobe sa smanjenim fizičkim, osjetilnim ili mentalnim sposobnostima ili s nedostatkom iskustva i/ili znanja, ako su ove osobe nadgledane ili podučene kako da koriste uređaj na siguran način i ako su razumjele opasnosti koje mogu nastupiti uslijed upotrebe.
- Ovaj uređaj je namijenjen za upotrebu u domaćinstvima.
- Snabdijevanje energijom: 220-240 V ~ 50 Hz.
- Električna sigurnost uređaja je jedino osigurana kada je povezan na pravilno instaliran zaštitni uzemljeni sistem provodnika (PE). Povezivanje na mrežnu utičnicu bez zaštitnog sistema provodnika je zabranjeno.
- Ako sumnjate, električni sistem mora biti provjeren od strane ovlaštenog servisnog zastupnika.
- Nekvalifikovane instalacije mogu rezultirati niskim performansama, oštećivanjem proizvoda, pogoršanjem ili nesrećama.
- Spriječite oštećenje napojnog kabla tako što ga nećete gnječiti, savijati ili trljati o oštre rubove. Čuvajte napojni kabl dalje od vrućih površina i otvorenog plamena.
- Nemojte uključivati uređaj u utičnicu prije propisne instalacije.
- Postavite uređaj na takav način da utikač bude uvijek pristupačan.
- Nikad ne dirajte lampicu nape šporeta nakon dugih perioda rada, sačekajte dok se ohladi. Vruće lampice mogu opeći vašu kožu.
- Ovaj uređaj je namijenjen za upotrebu u domaćinstvima i sličnim primjenama za kuhanje, nepoštivanje ovih uputa će datu garanciju učiniti nevažećom.
- Pridržavajte se pravila koja su postavili nadležna tijela po pitanju ispuštanja izduvnog vazduha. (Ovo upozorenje se ne odnosi na upotrebu bez izduvne cijevi).
- Kuhanje s plamenom je zabranjeno ispod nape šporeta.
- Uključite uređaj nakon što ste stavili tavu, šerpu, itd. na šporet, u suprotnom, visoka temperatura može izazvati deformaciju dijelova uređaja.

- Isključite gorionik prije uklanjanja tave, šerpe, itd. sa šporeta.
- Ne ostavljajte vruće ulje na šporetu. Perilice posuđa u kojima je vruće ulje mogu izazvati požar.
- Zbog ulja koje se može zapaliti kada pržite određenu hranu, obratite pažnju na zavjese i stolnjake.
- Uvjerite se da se filteri uređaja mijenjaju na vrijeme.
- Filteri koji se ne mijenjaju predstavljaju rizik od požara zbog akumulirane masnoće unutar njih.
- Nemojte koristiti materijale za filtere koji su otporni na vatru umjesto uobičajenih filtera.
- Nemojte koristiti uređaj bez filtera i nemojte uklanjati filtere dok je uređaj uključen.
- U slučaju požara, isključite napu i uređaje za kuhanje iz utičnice. (Isključite uređaj iz utičnice i isključite glavni prekidač).
- Ako periodično čišćenje vašeg proizvoda nije urađeno na vrijeme, postoji rizik od požara.
- Isključite uređaj iz utičnice prije servisiranja. (Isključite uređaj iz utičnice i isključite glavni prekidač).
- Ako se napa koristi u isto vrijeme kad i uređaji koji koriste neka druga goriva osim struje, negativni pritisak u prostoriji ne bi trebao prelaziti 4 Pa (4 x 10 bara).
- Gorionici kao što su sistemi za grijanje koji su u istoj okolini kao i proizvod moraju biti potpuno izolirani od izduvnog sistema ovog proizvoda ili moraju biti hermetički zapečaćeni.
- Kada spajate na odvodnu cijev, koristite cijevi promjera 150 mm ili 120 mm.
- Dužina spojne cijevi kao i broj L-dijelova trebali bi biti što je moguće manji.
- Djeca se ne bi smjela igrati s uređajem.
- Zbog sigurnosti, koristite "MAX 6 A" kabl u sistemu nape šporeta.
- Zbog toga što materijali pakovanja mogu biti opasni, držite ih van dohvata djece.
- Ako je strujni kabl oštećen mora biti zamijenjen od strane proizvođača, predstavnika tehničkog servisa ili osoblja sa sličnim kvalifikacijama da bi se izbjegla bilo kakva opasnost.

- U slučaju požara, isključite iz utičnice napu i uređaje za kuhanje i prekrijte plamen. Nikad ne koristite vodu da gasite vatru.
- Kada su uređaji za kuhanje u upotrebi, njihovi pristupni dijelovi mogu biti vrući.
- Ovaj uređaj ne može biti korišten od strane osoba sa smanjenim fizičkim, osjetilnim ili mentalnim sposobnostima (uključujući djecu) ili osoba bez adekvatnog iskustva i znanja o njegovoj upotrebi osim ako su nadgledani od strane osobe koja je odgovorna za sigurnost uređaja.
- Nakon instaliranja nape, minimalni razmak između proizvoda i bilo kojeg električnog šporeta mora biti 65 cm i 75 cm između proizvoda i drugog plinskog šporeta ili uređaja za kuhanje koje koristi druga goriva.
- Izduvna cijev nape ne smije biti povezana na kanale za odvod dima drugih uređaja.
- Trebalo bi povesti računa kada se uređaj koristi uporedo s drugim uređajima koji koriste isti zrak u istom okolišu (npr. plin, dizel, ugalj ili drvo, kotao, itd.). To je zbog činjenice što napa može smanjiti sagorijevanje jer ispušta zrak u atmosferu sobe.
- Ovo upozorenje se ne odnosi u slučaju korištenja uređaja bez odvodne cijevi.
- Kada se napa šporeta koristi u isto vrijeme sa uređajima na plin ili druga goriva, soba mora biti dovoljno ventilirana (ovo može da se ne odnosi na uređaje koji ispuštaju zrak u sobu).
- Simultane radnje više šporeta vode ka velikoj količini generiranja toplote. Zbog toga, ventilacioni uređaj smješten na površini kuhanja može biti oštećen ili sagoren. Nemojte koristiti dva šporeta na plin u uslovima visoke toplote više od 15 minuta. Veliki gorionik sa radnim kapacitetom od više od 5 kW ima snagu jednaku dva plinska gorionika.

1

Važne upute u vezi sigurnosti i okoliša

1.1 Usklađenost sa WEEE Direktivom i odlaganje otpadnog proizvoda:

Ovaj proizvod je u skladu sa EU WEEE Direktivom (2012/19/EU). Ovaj proizvod posjeduje klasifikacijski simbol za otpadnu električnu i elektroničku opremu (WEEE).




Ovaj proizvod je proizveden od visoko kvalitetnih dijelova koji se mogu ponovo upotrijebiti i koji su pogodni za recikliranje. Nemojte odlagati otpadni proizvod s običnim kućnim i drugim otpadima čiji je vijeka trajanja prošao. Odnosite taj otpad na odlagalište za reciklažu električne i elektroničke opreme. Molimo vas posavjetujte se sa lokalnim institucijama da saznate gdje se nalaze ova odlagališta.

Usklađenost sa RoHS Direktivom:

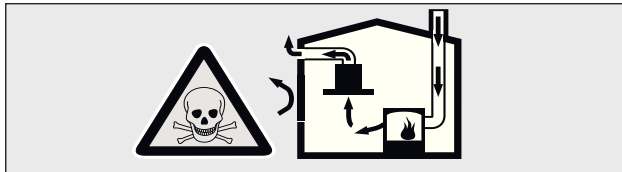
Proizvod koji ste kupili je u skladu sa EU RoHS Direktivom (2011/65/EU). On ne sadrži nikakve štetne i zabranjene materijale specificirane u ovoj Direktivi.

2 Sigurnosna upozorenja

2.1 Sigurnosna upozorenja



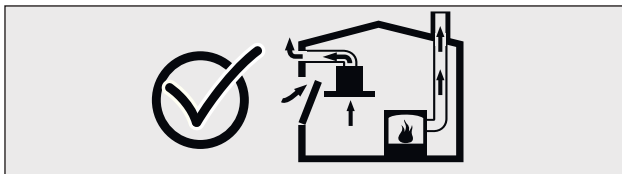
UPOZORENJE: Postoji rizik od smrti i trovanja zbog ponovno apsorbiranih plinova sagorijevanja. Tokom upotrebe izduvnog sistema nemojte koristiti uređaj zajedno s drugim uređajima koji emitiraju otrovne plinove kroz izduvne cijevi, kao što su zrak, plin, ugalj ili drvo, kotao, grijači za vodu, itd. osim ako imaju adekvatan protok zraka tokom upotrebe.




Slika 2 Opasnost od trovanja

Uređaji za recirkulaciju zraka (npr. sistemi za grijanje na plin, drvo ili ugalj, kotlovi, grijači vode) zauzimaju vazduh sagorijevanja na mjestu instalacije i evakuiraju otpadne plinove kroz sistem otpadnih plinova (npr. ispušna cijev). Kada je napa u pogonu, ona usisava zrak iz kuhinje i susjednih prostorija. Ako je unos vazduha neadekvatan, može se stvoriti vakuum. U ovom slučaju, otrovni plinovi se apsorbiraju iz izduvne cijevi i kanala za otpadni plin i ponovo se vraćaju u sobu. Slika 2

Zbog ovog razloga, adekvatan dovod svježeg zraka se uvijek mora održavati. Slika 3



Slika 3




OPASNOST: Opasnost od požara! Zbog iskri, instaliranje uređaja na grijač na čvrsto gorivo (npr. drvo ili ugalj) dozvoljeno je samo ako ima nepomični poklopac. Za proces instalacije, mora se obratiti pažnja na postojeće građevinske propise i propise lokalnih kompanija za električnu energiju i gas. Ako uređaj nije očišćen prema uputama za čišćenje može generirati požar.

2.2 Opasnost od strujnog udara



OPASNOST: Nemojte savijati ili pritiskati strujni kabl tokom procesa instalacije.

2.3 Rizik od povrede!



OPASNOST:

- Tokom instalacije postoji rizik od povrede zbog oštih ivica. Uvijek koristite zaštitne rukavice dok instalirate uređaj.
- Svi vijci i sigurnosni poklopci moraju biti namješteni kao što je opisano u priručniku za vlasnika zbog rizika od padanja uređaja.

2 Sigurnosna upozorenja

2.4 Rizik od opekotina, opasnost od strujnog udara



OPASNOST:

- Dopustite da se uređaj ohladi prije čišćenja ili održavanja. Isključite osigurač i isključite uređaj iz mrežne utičnice.
- Postoji rizik od oštećivanja zbog infiltracije vlage u elektronske dijelove. Nemojte čistiti kontrole vlažnom krpom.
- Nepropisno čišćenje može oštetiti površinu. Kada čistite površine od nehrđajućeg čelika uvijek slijedite smjer poliranja. Nemojte koristiti proizvode za čišćenje nehrđajućeg čelika kada čistite kontrole.
- Proizvodi agresivnog ili abrazivnog čišćenja mogu oštetiti površinu. Nikad nemojte koristiti hemijski agresivne ili abrazivne proizvode za čišćenje.
- Postoji rizik od oštećivanja zbog kondenzacijskog refluksa. Instalirajte cijevi za odvod zraka prema dolje od uređaja (nagib 1°).



Ako je uređaj oštećen ili ne radi, isključite osigurač ili isključite strujni kabl i pozovite ovlaštenu servisnu centar.



Ako je strujni kabl oštećen mora biti zamijenjen od strane proizvođača, predstavnika tehničkog servisa ili osoblja sa sličnim kvalifikacijama da bi se izbjegla bilo kakva opasnost.



Ako sijalice ne rade, isključite osigurač ili isključite strujni kabl uređaja. Da bi se izbjeglo preopterećenje drugih lampica, odmah zamijenite lampicu koja ne radi (sačekajte dok se lampica ohladi).



OPREZ: Kada se koristi s mašinama za kuhanje, dostupni dijelovi mogu postati vrući.



OPASNOST: Odvod zraka ovog uređaja nikad ne smije biti povezan na ispušne cijevi dima od plina iz drugih plinskih mašina ili drugih plinskih uređaja.

2.5 Rizik od požara i fizičke povrede!



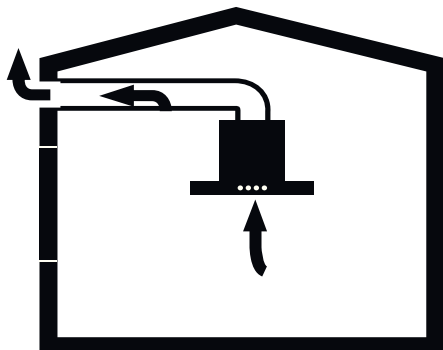
OPASNOST: Ako se popravke ne izvode u skladu s propisima ili zahtjevima isključite osigurač ili isključite strujni kabl vaše mašine. Popravke se moraju izvoditi samo od strane ovlaštenog tehničkog servisnog predstavnika ili specijaliziranog osoblja.

3 Uputstva za upotrebu

Možete koristiti ovaj uređaj u režimu odvoda zraka i režimu ventiliranog zraka.

3.1 Režim odvoda zraka

Usisani zrak je očišćen filterima za mast i ispušten je kroz cijevni sistem.



Slika 4: Izduvavanje zraka bez karbonskih filtera



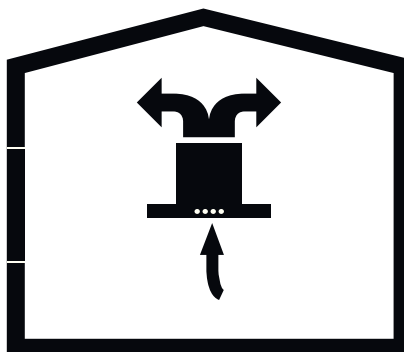
UPOZORENJE: Rizik od smrti!

Ponovno apsorbirani izduvni plinovi mogu izazvati trovanje. Izduvni zrak ne bi trebao biti povezan sa bezdimnom izduvnom cijevi ili cijevi za otpadne plinove ili izduvne cijevi koje se koriste za ventilaciju određenih mjesta gdje su instalirani izvori toplote.

- Ako želite prebaciti izduvni zrak u cijev za odvod dima ili cijev otpadnih plinova morate dobiti dozvolu od ovlaštenog dimnjačara.
- Ako se izduvni gas ispušta kroz vanjski zid, mora se koristiti teleskopska zidna kasetna.

3.2 Izduvni zrak sa karbonskim filterom

Usisani zrak je očišćen filterima za mast i aktivnim karbonskim filterom i onda ponovo vraćen u kuhinju.



Slika 5: Izduvavanje zraka sa karbonskim filterom

Da bi uklonili supstance koje proizvode miris u zraku, morate dodati aktivni karbonski filter na uređaj. Provjerite sa vašim ovlaštenim prodavačem nekoliko dostupnih opcija gdje se uređaj može koristiti u režimu rada s ventilatorom. Možete kupiti neophodne dodatke za ovaj proces u svom prodajnom mjestu, ovlaštenom servisu ili na online prodajnim mjestima.

3.3 Zamjena karbonskog filtera

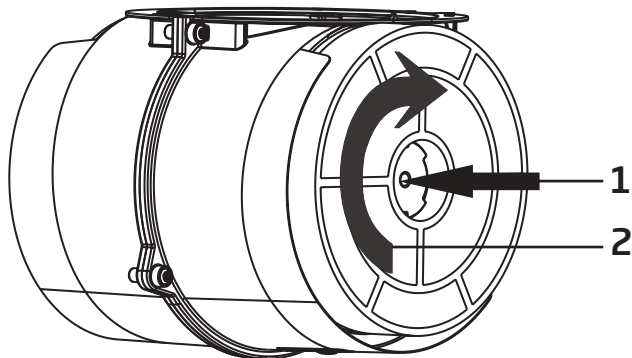
Za uređaje bez odvodnih cijevi, mora se instalirati aktivni karbonski filter za recirkulaciju i refiltraciju zraka. Aktivni karbonski filter bi se trebao kupiti od vašeg servisnog predstavnika ili vašeg prodavača. Uređaj isključite iz utičnice prije zamjene karbonskog filtera. Pošto se karbonski filter koristi u kuhinjama bez izduvnih cijevi, potrebno ga je zamjeniti novim svakih 3 do 5 mjeseci, zavisno od stepena upotrebe. Karbonski filteri se nikada ne smiju prati. Bez obzira da li se koristi karbonski filter, filteri za mast moraju biti instalirani. Nemojte koristiti uređaj bez filtera za mast.

3 Uputstva za upotrebu

3.4 AF 90 Zamjena karbonskog filtera



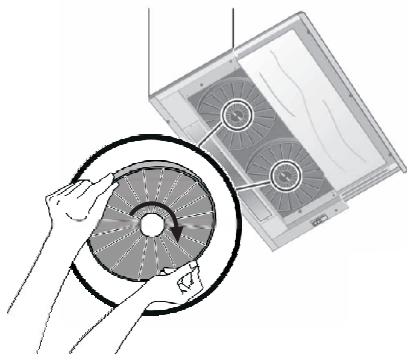
OPASNOST: Nemojte prati karbonske filtere. Nemojte ostavljati karbonske filtere u krugu dohvata djece.



Slika 6: AF 90 Karbonski filter

Uređaj koji ste kupili je prikladan za upotrebu AF 90 karbonskog filtera.

1. Stavite karbonski filter na prikladno mjesto. Slika 6
2. Okrenite karbonski filter u smjeru kazaljke na satu i uvjerite se da je pozicioniran pravilno. Slika 6



Ako nije pozicioniran pravilno, karbonski filter može pasti i oštetiti uređaj.

3. Stavite karbonski filter na prikladno mjesto. Slika 6
4. Okrenite karbonski filter u smjeru kazaljke na satu i uvjerite se da je pozicioniran pravilno. Slika 6

4 Upute za čišćenje i održavanje

• UPOZORENJE!

- Prije svake radnje na održavanju i čišćenju, napa šporeta mora biti isključena i uređaj mora biti isključen iz utičnice.
- Čišćenje i održavanje uređaja ne smiju izvoditi djeca bez nadzora.
- Proizvodi agresivnog ili abrazivnog čišćenja mogu oštetiti površinu. Nikad nemojte koristiti hemijski agresivne ili abrazivne proizvode za čišćenje. Kupite prikladne proizvode za čišćenje i zaštitu za vaš uređaj od ovlaštenog tehničkog servisa. Površina mašine i kontrolnih jedinica je osjetljiva na grebanje.
- Čistite površine sa mekanom, vlažnom tkaninom, sredstvom za pranje posuđa ili neagresivnim sredstvom za čišćenje stakla. Uklonite bilo koje stvrdnute ostatke koristeći vlažnu tkaninu. Nemojte grebati!
- Upotreba suhih tkanina, abrazivnih spužvi, proizvoda koje izazivaju trenje i drugih sredstava koja sadrže pijesak, sodu, kiselinu ili hlor nije prikladna.
- Čistite površine od nehrđajućeg čelika u originalnom smjeru poliranja.
- Nemojte koristiti proizvode za čišćenje nehrđajućeg čelika i vlažne tkanine na kontrolnim jedinicama.
- Čišćenje filtera za mast - korišteni metalni filteri za mast prikupljaju čestice masti iz vlažnog vazduha i pare generisane u kuhinji. Pod normalnim okolnostima upotrebe (1-2 sata na dan), čišćenje filtera za mast bi trebalo u prosjeku obavljati svako tri mjeseca.
- Ne koristite prekomjerno jaka sredstva za čišćenje, baze ili kiseline.
- Kada čistite filtere za mast, također očistite membrane metalnog filtera za mast u uređaju vlažnom tkaninom.

4.1 Pranje filtera za mast u perilici posuđa

- Možete prati filtere za mast u perilici posuđa ili ručno.
- Kada perete filtere u mašini za pranje rublja, njihova boja se može malo promijeniti. Ovo ne utiče na funkciju filtera za mast.
- Nemojte prati izuzetno prljave metalne filtere za mast s ostalim posuđem.
- Smjestite filtere za mast u perilicu posuđa bez da ih stavite u neredu.

4.2 Ručno pranje

- Za uklanjanje trajne prljavštine možete koristiti poseban rastvarač za mast. Ovaj tip rastvarača se može kupiti od ovlaštenog prodajnog centra.
- Obrišite filtere za mast u vrućoj vodi sa sredstvom za pranje posuđa.
- Koristite četku za čišćenje i čekajte da se tečnost na metalnim filterima za mast osuši u potpunosti.
- Isperite filtere temeljito nakon čišćenja.

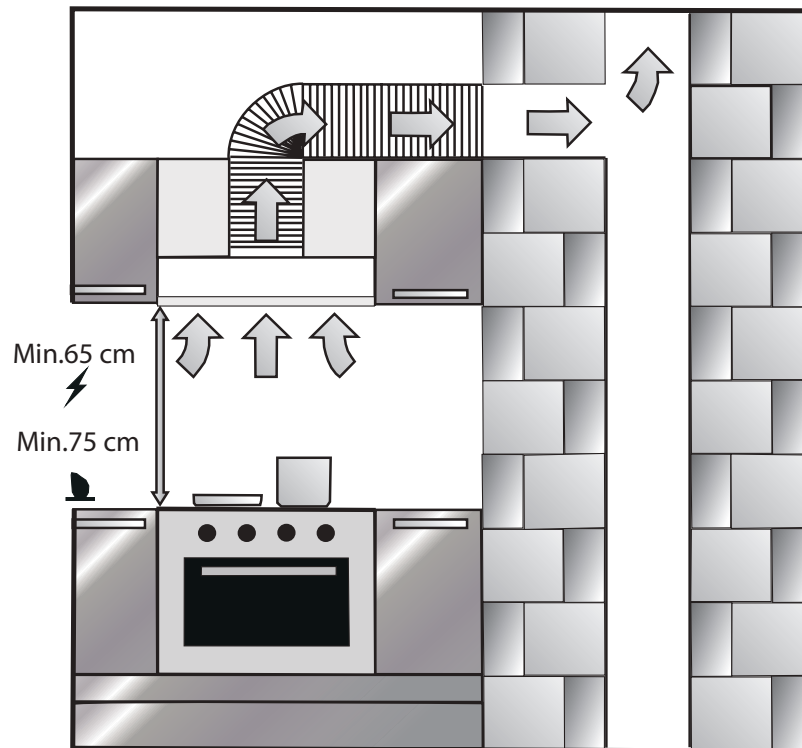


UPOZORENJE: Čišćenje metalnih filtera za mast u predviđenom vremenu, pomaže u izbjegavanju rizika od požara izazvanog prekomjernom toplotom nastalim tokom prženja.

4.3 Uklanjanje / instaliranje aluminijskog filtera

Povucite aluminijski filter prema sebi pritišćući odgovarajuću tipku. Uradite obratno da instalirate filter.

5 Uputstva za instalaciju



Slika 7: Instalacija uređaja

Nakon instaliranja nape šporeta, minimalni razmak između proizvoda i bilo kojeg električnog šporeta mora biti 650 mm i 750 mm između proizvoda i drugog plinskog šporeta ili uređaja za kuhanje koje koristi druga goriva. Slika 7

5.1 Instaliranje i otpakivanje uređaja

Provjerite da li je uređaj neispravan.

- Oštećenja uzrokovana prilikom transporta bi trebala biti odmah prijavljena dostavljaču.
- Vidljivi nedostaci također moraju biti saopšteni prodavaču.
- Nemojte dopustiti djeci da se igraju sa pakovanjem!!!

5.2 Instaliranje i otpakivanje uređaja

- Povremeno promijenite karbonske filtere.
- Uvijek čistite aluminijske filtere. Zato što prljavi filteri blokiraju ulaz zraka, uređaj će morati da radi većom brzinom usisavanja.
- Koristite proizvod pri odgovarajućim brzinama.
- Korištenje uređaja pri visokim brzinama će povećati potrošnju energije.

5 Uputstva za instalaciju

5.3 Režim izduvnog zraka

• UPOZORENJE

Rizik od smrti!

Ponovno apsorbovani izduvni plinovi mogu izazvati trovanje. Izduvni zrak se ne smije prenijeti na kanale dimnih gasova ili na tok otpadnog gasa ili u izduvni kanal koji se koristi za ventilaciju određenih mjesta gdje su instalirani drugi izvori toplote.

Ako želite prebaciti izduvni zrak u cijev za odvod dima ili cijev otpadnih plinova, morate dobiti dozvolu od ovlaštenog dimnjačara.

Ako se izduvni gas ispušta kroz vanjski zid, mora se koristiti teleskopska zidna kasetna.

5.4 Izlaz za zrak

Informacije: Proizvođač uređaja nije odgovoran za kvarove uzrokovane od strane korištenih cijevi.

- Mašina radi s punim performansama kada se koristi kratka i ravna cijev za ispuštanje zraka sa što je moguće većim prečnikom.
- Kada se koriste dugi, čvrsti kanali, višestruke L cijevi ili cijevi s prečnikom manjim od 150 mm, optimalna performansa ventilacije se ne može postići i nivo zvuka ventilatora se povećava.
- Cijevi i crijeva koja se koriste za putanju izduvnog zraka ne smiju biti napravljene od zapaljivih materijala.

Kružni cjevovod

Preporučeno je da unutrašnji prečnik bude 150 mm ili najmanje 120 mm.

Ravne cijevi

Unutrašnji odjeljak mora odgovarati prečniku kružnog cjevovoda.

Približno Ø 150 mm 177 cm²

Približno Ø 120 mm 173 cm²

- Ravne cijevi ne smiju imati oštre L cijevi.

- Koristite zaptivne trake za cijevi različitih prečnika.

5.5 Provjeravanje zida

- Zid mora biti ravan, prav i trebao bi imati dovoljan kapacitet nosivosti.
- Dubina rupa mora odgovarati dužini vijaka. Tiple se moraju uklopiti.
- Vijci i tiple za montiranje moraju biti prikladne za upotrebu u tvrdim monolitnim zidovima. Koristite odgovarajuće pričvršćivače za različite vrste konstrukcija (npr. gipsane ploče, gazirani beton, protonske cigle).

5.6 Električna veza

• UPOZORENJE

Opasnost od strujnog udara!

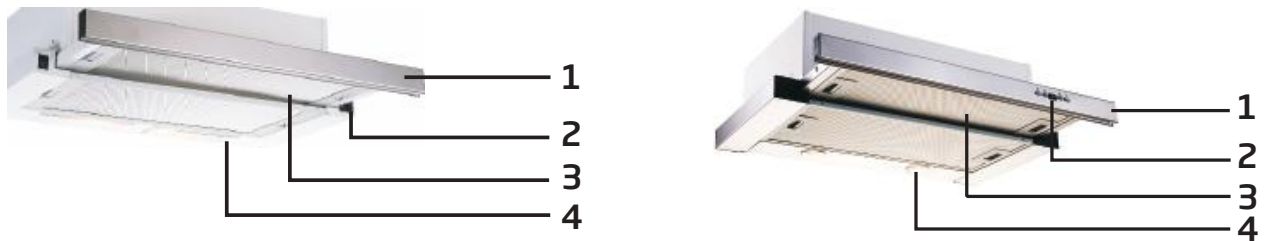
Komponente uređaja mogu imati oštre rubove. Kabl za povezivanje je možda oštećen. Nemojte savijati ili pritiskati strujni kabl tokom instalacije.

Potrebni podaci za povezivanje su navedeni na etiketi unutar mašine; metalni filteri za masti moraju biti uklonjeni da bi se vidjela etiketa.

Dužina kablova za povezivanje: približno 1,3 m. Ovaj uređaj je usklađen sa Smjernicama za uklanjanje smetnji u EU.

Osigurajte da je isključivanje uređaja iz utikača uvijek omogućeno. Uređaj mora biti povezan sa zaštićenim kontaktnim utičnicama, postavljenim u skladu sa važećim propisima. Ako se utikač ne može dosegnuti nakon instalacije ili tokom tražene fiksne veze, mora postojati nekoliko sistema razdvajanja polova sa kontaktnim rastojanjem od najmanje 3 mm od instalacije. Fiksna veza mora biti postavljena od strane ovlaštenog tehničara.

6 Pregled opreme



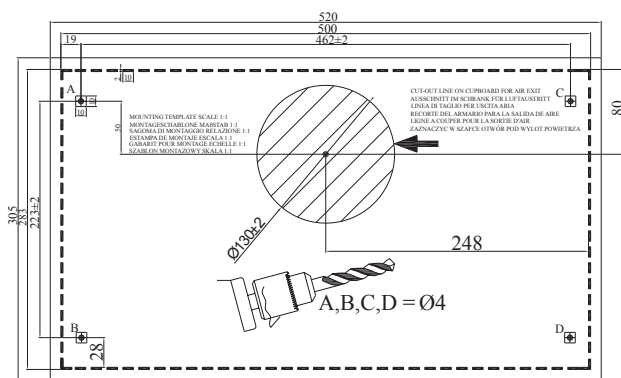
Slika 9: Pregled nape šporeta

1. Prednja ploča
2. Tipka
3. Filter
4. Svjetlo

7 Uputstva za instalaciju

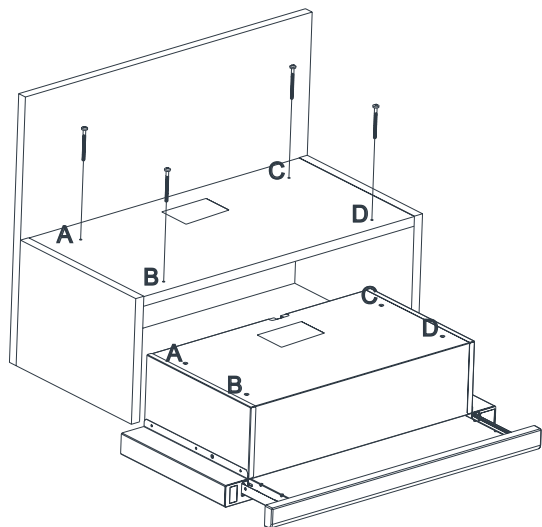
7.1 Bušenje zidova i pričvršćivanje konzole

Izbušite rupe u promjeru od $\varnothing 4$ mm na tačkama označenim A, B, C, D na šemi postavljanja. Slika 2



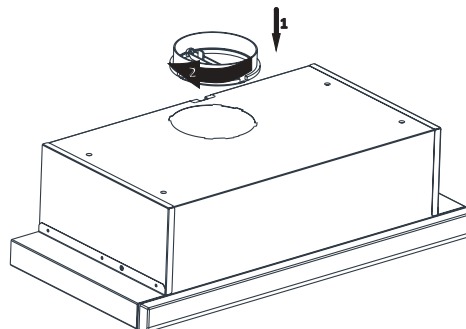
Slika 2

Oprema mora biti postavljena na tačke kućišta A, B, C, D korištenjem 4 x 40 vijaka koji su došli uz opremu. Prednji panel ne bi trebao da se ošteti kada se pomjera poklopac kućišta. Slika 3

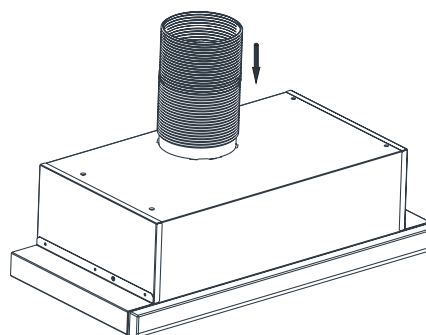


Slika 3

Postavite plastičnu cijev koja je došla s opremom na izduvnu cijev opreme. Okrenite plastičnu cijev u smjeru kazaljke na satu. Slika 4



Slika 4



Slika 5

Instalirajte fleksibilnu aluminijsku cijev na izlaz plastičnog crijeva. Instalirajte drugi kraj cijevi na otvor cijevi na zidu. Slika 5



UPOZORENJE: Pošto uvrtnje i savijanje aluminijske cijevi smanjuje snagu usisa zraka, izbjegavajte savijanje i uvrtnje cijevi.

Funkcije opreme

Napa šporeta se koristi u kuhinjama sa ili bez crijeva.

Korištenje uređaja s crijevom;

Kada se koristi s crijevom, napa šporeta mora biti povezana na cijev koja će ispuštati zrak. Želite najkraći sistem cijevi da dovede do cijevi kako biste dobili maksimalnu efikasnost od kućišta. Vaš proizvod je proizveden u formi prikladnoj za upotrebu cijevi.

8 Rad i upotreba

Prekidač sa 3 brzine

Prekidač za lampu



Postavite prekidač u režimu lampe da upalite svjetlo. Komplet za klizanje mora biti odvojen da se uključe svjetla.

3. Prekidač za cirkulaciju zraka



Da uključite mašinu na prvu brzinu, kliznite prekidač prema gore. Da bi proizvod radio u drugoj brzini, pomjerite prekidač prema dolje.

3. Prekidač za turbo cirkulaciju zraka



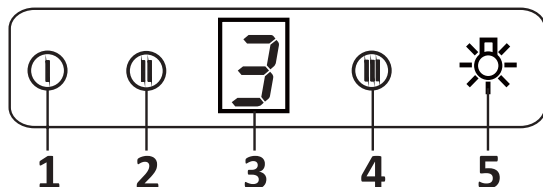
Da bi mašina radila u trećoj brzini, kliznite prekidač prema dolje.

Prekidač sa 2 brzine



Proizvod ima 2 lampice i prekidač da kontrolirate svjetlo. Komplet za klizanje mora biti odvojen da se uključe svjetla.

Digitalni displej sa 3 brzine



1. Pritisnite ovu tipku kada želite da vaš proizvod radi na brzini 1.
2. Pritisnite ovu tipku kada želite da vaš proizvod radi na brzini 2.
3. Pritisnite ovu tipku kada želite da vaš proizvod radi na brzini 3.
4. Pritisnite ovu tipku kada želite da uključite svjetla na proizvodu.

Odabir brzine

Uređaj ima ventilaciju na 3 nivoa. Jedan od nivoa ventilacije nisko-srednje-visoko je odabran sudeći po kuhanju i isparavanjima. Počnite pritiskom na kontrolne tipke mašine na prednjoj ploči. Elektronski kontrolisani modeli imaju automatski programator.

Programator

Ako pritisnete bilo koju tipku za pokretanje mašine duže od 2 sekunde, funkcija programatora će se aktivirati na vrijeme trajanja od 15 minuta. Displej će emitirati signal kada programator pokrene mašinu i automatski će se isključiti za 15 minuta.

Čišćenje metalnog filtera:

Filteri bi trebali biti očišćeni kada se signal "C" pojavi na ekranu ili (u zavisnosti od upotrebe) nakon 2-3 sedmice. Kada su filteri očišćeni i smješteni na svoja mjesta, pritisnite tipku duže od 3 sekunde da obrišete oznaku "C" (kad proizvod ne radi). Slovo "E" se pojavljuje na ekranu i jedinica će početi da funkcioniše normalno. Ako želite nastaviti rad bez brisanja signala "C", kada pritisnete tipku, aktivan rad će biti posmatran 1 sekundu i signal "C" će se ponovo pojaviti i mašina će nastaviti s radom.



UPOZORENJE: Znak "C" će se pojaviti na kraju 60-satnog perioda.

Digitalni displej sa 5 brzina



8 Rad i upotreba



UPOZORENJE: Znak "C" će se pojaviti na kraju perioda upotrebe mašine od 60 sati.



ON / OFF (UKLJ/ISKLJ): Oprema će se pokrenuti kada se pritisne tipka.



Smanjena brzina: Brzina će biti smanjena ako se pritisne ova tipka.



Povećana brzina: Brzina će biti povećana ako se pritisne ova tipka.


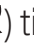


Programator: Kada se ova tipka pritisne, funkcija programatora je aktivirana na 15 minuta, kada programator krene, displej daje signal i mašina se automatski zaustavlja nakon 15 minuta.



Lampica: Lampica će se pokrenuti kada se pritisne ova tipka. Pritisnite ovu tipku ponovo i isključite svjetlo.

Periodi čišćenja filtera:

Filteri se trebaju čistiti kada se znak "E" pojavi na ekranu ili (zavisno od upotrebe) nakon 2-3 sedmice. Kada su filteri očišćeni i postavljeni na svoje mjesto, pritisnite tipku na više od 3 sekunde da očistite "E" znak (kada proizvod nije u pogonu) . Slovo "E" se pojavljuje na ekranu i jedinica će početi da funkcioniše normalno. Ako želite nastaviti s radom bez brisanja "E" signala, pritiskom  tipke će vidjeti aktivnu operaciju na 1 sekundu i signal "C" će se ponovo pojaviti i mašina će nastaviti s radom.



Znak "E" će se pojaviti na kraju 60-satnog upotrebnog ciklusa.

Efektivna upotreba i ušteda energije:

- Kada koristite napu, prilagodite podešavanja brzine isparavanja i intenziteta mirisa da uštedite energiju.
- Koristite niske brzine (1-2) pod normalnim uslovima i visoke brzine (3) u uslovima intenzivnih mirisa i isparavanja.
- Halogene lampice su smještene da osvijetljavaju zonu kuhanja. Njihova upotreba za osvjtljenje ambijenta će proizvesti nepotrebnu potrošnju energije i nedovoljno osvjtljenje.

Upotreba proizvoda:

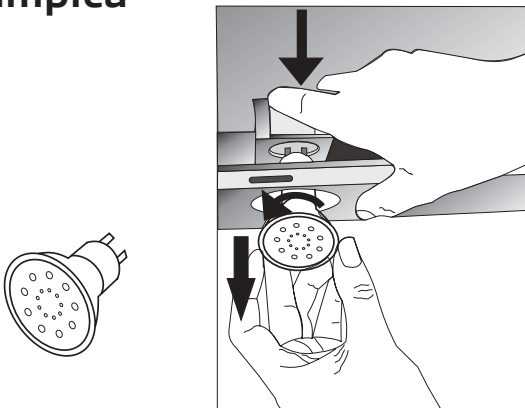
- Vaša napa sadrži motor koji ima različite brzine.

9 Zamjena svjetiljki



OPASNOST: Isključite napu šporeta iz napajanja. Sačekajte da se svjetiljke ohlade zato što su vruće i izazivaju opekotine na vašim rukama.

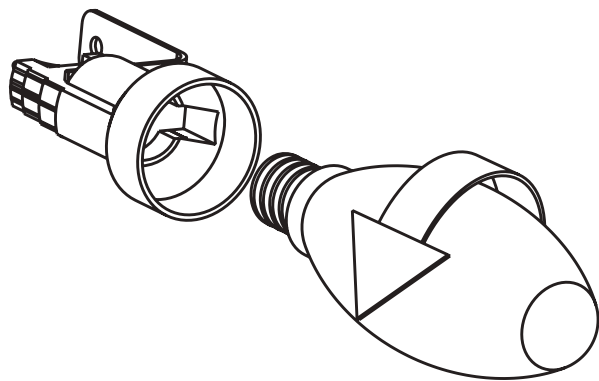
9.1 Zamjena halogenskih lampica



Oznaka 13: Zamjena LED svjetiljki

Uklonite držač aluminijskog filtera. Uklonite neispravnu svjetiljku i zamijenite je novom istog tipa. Slika 13

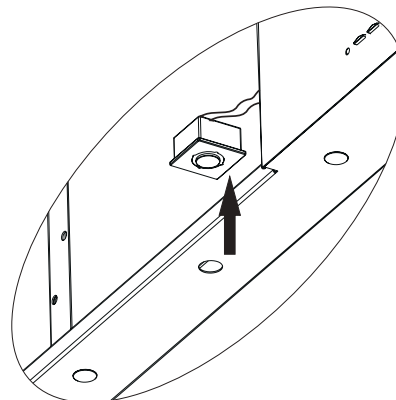
9.2 Zamjena filamentne svjetiljke



Slika 14: Zamjena filamentne svjetiljke

Uklonite držač aluminijskog filtera. Uklonite neispravnu svjetiljku i zamijenite je novom istog tipa. Slika 14

9.3 Zamjena LED lampice



1 W

- Isključite LED električnu vezu.
- Gurnite lampicu svojom rukom da je uklonite.
- Odvojite samoljepivu traku oko glavnih lampica za kućište.
- Prije postavljanja LED-a, uklonite zaštitni sloj s rama i onda je smjestite u tijelo proizvoda.

10 Rješavanje problema

Ako svjetlo ne radi.

- Provjerite da li je uređaj povezan na utikač i da li su osigurači ispravni.
- Provjerite svjetiljke. Osigurajte da ste isključili uređaj iz utičnice prije provjere. Pritegnite svjetiljke ako nisu dovoljno zavrnutе; možete zamijeniti svjetiljke ako proizvod još ne radi.

10.1 Moguće greške i rješavanje istih prije pozivanja tehničkog servisa

10.1.1 Ako uređaj ne radi:

- Provjerite da li je mašina povezana na utikač i da li je utikač utaknut kako treba.
- Provjerite osigurač na koji su priključeni uređaj i dom.

10.1.2 Ako uređaj ne radi kako treba ili proizvodi jaku buku dok radi:

- Da li je promjer izlaza uređaja adekvatan? (minimalno 120 mm).
- Da li su metalni filteri čisti? Provjerite.
- Ako koristite napu bez izduvne cijevi, osigurajte da karbonski filteri nisu stariji od 6 mjeseci.
- Osigurajte da je vaša kuhinja dobro ventilirana da obezbjedite prikladnu cirkulaciju zraka. Ako ste još uvijek nezadovoljni s performansama vaše mašine, kontaktirajte vaš ovlašteni servisni odjel.

10 Rješavanje problema

10.2 Mogući problemi i rješenja

Problem	Mogući uzrok	Radnja
Mašina ne radi	Provjerite vezu strujnog kabla	Voltaža snage mora biti 220-240 V, i proizvod mora biti povezan u uzemljenu utičnicu
Svjetiljka ne radi	Provjerite vezu strujnog kabla	Voltaža snage mora biti 220-240 V, i proizvod mora biti povezan u uzemljenu utičnicu
Svjetiljka ne radi	Provjerite vezu strujnog kabla	Înterupătorul becului trebuie să fie în poziția „on” (pornit)
Svjetiljka ne radi	Provjerite svjetiljke	Svjetiljke moraju biti u funkciji
Neispravan usis zraka	Provjerite aluminijski filter	Pod normalnim uslovima rada, držač aluminijskog filtera mora se čistiti najmanje jednom mjesečno
Neispravan usis zraka	Provjerite cijev za ispuštanje zraka	Cijev za izlaz zraka mora biti otvoren
Neispravan usis zraka	Provjerite karbonski filter	Za proizvode bazirane na karbonu, trebali bi se mijenjati svaka 3 mjeseca pod normalnim uslovima upotrebe
Uređaj ne evakuše zrak (upotreba bez izduvne cijevi)	Provjerite aluminijski filter	Pod normalnim uslovima rada, držač aluminijskog filtera se mora čistiti najmanje jednom mjesečno
Ova jedinica ne ispušta zrak (koristi se bez ispušne cijevi)	Provjerite karbonski filter	Za proizvode karbonskih filtera, trebali bi se mijenjati svaka 3 mjeseca pod normalnim uslovima upotrebe

10.3 Tehnička mapa

Voltaža napajanja strujom	220 - 240 V 50 Hz
Klasa izolacije motora	F
Klasa izolacije	KLASA I





Прво прочитајте го упатството!

Почитувани потрошувачи,

Ви благодариме што избравте производ на Веко. Се надеваме дека ќе ги добиете најдобрите резултати со нашиот производ, којшто е произведен со висококвалитетна и врвна технологија. Затоа, внимателно прочитајте го целиот прирачник и целата друга придружна документација пред да го користите производот и зачувајте го за идна потреба. Ако го дадете производот на други, дајте им го и прирачникот. Следете ги сите предупредувања и информации во прирачникот.

Значење на симболите

Следните симболи се користат низ разните поглавја на овој прирачник:

	Важни информации или корисни совети за употребата.
	ПРЕДУПРЕДУВАЊЕ: Предупредување за опасни ситуации по животот и имотот.
	Предупредување за електричен удар.
	Предупредување за жешки површини.



Овој производ е произведен во еколошка и технолошки врвна постројка

Усогласен е со Регулативата за отпадна електрична и електронска опрема - WEEE.



Не содржи полихлориран бифенил - PCB.

- Овој уред може да го употребуваат деца на возраст од 8 години или постари, како и луѓе со намалена физички, сензорни или ментални способности или коишто немаат искуство и/или познавање на уредот, ако овие лица се под надзор или добиле упатства како да го употребуваат уредот на безбеден начин и ако ги разбрале опасностите што може да произлезат од неговата употреба.
- Овој уред е наменет за употреба во домаќинства.
- Напон: 220-240 V~ 50 Hz.
- Електричната безбедност на уредот е загарантирана само кога е поврзан со правилно поставен заштитен заземјувачки (PE) систем на спроведување. Забрането е поврзување со штекер без PE спроводник.
- Ако не сте сигурни, електричниот систем мора да го провери авторизиран сервисен агент.
- Неквалификуваната инсталација може да резултира со лошо работење, оштетување на производот, распаѓање или несреќни случаи.
- Спречете оштетување на кабелот за струја со тоа што нема да го стискате, виткате или триете од остри рабови. Држете го кабелот за струја понастрана од жешки површини и отворен пламен.
- Невклучувајте го уредот во струја пред соодветно да се монтира.
- Поставете го уредот така што приклучокот ќе биде секогаш лесно пристапен.
- Никогаш не допирајте ја сијаличката на аспираторот по подолги периоди на работа, почекајте додека се излади. Жешките сијалички може да ви ја изгорат кожата.
- Уредот е наменет за домашна употреба и за слични примени за готвење и ако не ги следите овие упатства, гаранцијата ќе биде поништена.
- Следете ги локалните закони во однос на издувните гасови. (Ова предупредување не се однесува на употребата без издувна цевка).
- Готвење со фламбурање е забрането под аспираторот.

Важни упатства за безбедноста и животната средина

- Вклучете го уредот откако сте го ставиле тавчето, тенџерето итн. на шпоретот, во спротивно високите температури може да предизвикаат деформирање на деловите на уредот.
- Исклучете го шпоретот на плин пред да го тргнете тавчето, тенџерето итн. од него.
- Не оставајте жешко масло врз шпоретот. Машините за садови што содржат масло може да предизвикаат пожар.
- Со оглед дека маслото може да се запали кога се подготвува разен тип на храна, внимавајте на завесите и чаршавите.
- Гледајте филтрите на уредот да се секогаш навремено менувани.
- Филтрите што не се менуваат претставуваат ризик за пожар поради насобраните маснотии во нив.
- Не употребувајте филтри од материјал отпорен на пожар наместо вообичаените филтри.
- Не вклучувајте го уредот без филтри и не вадете ги филтрите додека тој работи.
- Во случај на пожар, исклучете го аспираторот и уредите за готвење. (Исклучете го уредот од струја или преку копчето).
- Ако периодичното чистење на производот не се прави навремено, може да се појави ризик од пожар.
- Исклучете го од струја пред сервисирањето. (Исклучете го уредот од струја или преку копчето).
- Ако го употребувате аспираторот истовремено со уреди што користат горива, а не струја, негативниот притисок во собата не смее да надминува 4 Pa (4 x 10 bar).
- Уредите што работат на гориво како системите за греење коишто се во истата средина како производот, мора да бидат целосно изолирани од издувниот систем на овој производ или да останат херметички запечатени.
- Кога поврзувате излезна цевка, употребете цевки со дијаметар од 150 mm или 120 mm.
- Должината на поврзувачката цевка како и бројот на аголни парчиња треба да бидат што помали.
- Децата не треба да си играат со уредот.
- Од безбедносни причини, употребувајте осигурувач „MAX 6 A“ во системот за аспираторот.

- Материјалите од амбалажата може да се опасни, затоа држете ги понастрана од деца.
- Ако се оштети кабелот за струја, за да се избегне каква било опасност, мора да биде заменет од производителот, техничкиот сервисер или лица со слични квалификации.
- Во случај на пожар, исклучете го аспираторот и уредите за готвење и покријте го оганот. Никогаш не употребувајте вода за да изгасите оган.
- Кога уредите за готвење работат, деловите што може да се допираат може да се жешки.
- Уредот не смеат да го употребуваат лица со намалена физички, сензорни или ментални способности (вклучувајќи деца) или луѓе без адекватно искуство и познавање на неговата употреба, освен ако се надгледувани од лице коешто е одговорно за безбедноста на уредот.
- По инсталирањето на аспираторот, минималното растојание меѓу производот и кој било електричен уред за готвење мора да биде 65 cm, и 75 cm меѓу производот и уреди за готвење на гас или други горива.
- Излезната цевка на аспираторот не смее да биде поврзана со водови за екстракција на чад од други уреди.
- Треба да се внимава кога се употребува уредот истовремено со други уреди коишто го користат истиот воздух во истата средина (пр. гас, дизел, јаглен, дрво, бојлер итн.). Тоа е поради фактот дека аспираторот може да го намали согорувањето бидејќи ослободува воздух во атмосферата на просторијата.
- Ова предупредување не се однесува на случаи на користење на уредот без одвод за однесување на чадот.
- Кога се употребува аспираторот во истов време со други уреди на гас или други горива, просторијата мора да биде доволно проветрувана (ова може да не се однесува на уреди коишто го одведуваат воздухот назад во просторијата).

Важни упатства за безбедноста и животната средина

- Истовременото работење на повеќе уреди за готвење доведува до генерирање на голема количина на топлина. Според тоа, уредот што е поставен на површината за готвење може да се оштети или да изгори. Не употребувајте два уреда за готвење во услови на висока температура повеќе од 15 секунди. Голем уред за готвење со работен капацитет од 5 kW има моќ еднаква на два уреда за готвење.

1.1 Усогласеност со директивата за WEEE за фрлање на производот:

Овој производ е усогласен со директивата на ЕУ за WEEE (2012/19/EU). Овој производ го носи симболот за класификација за начинот на фрлање на електрична и електронска опрема (WEEE).



Овој производ е произведен со висококвалитетни делови и материјали коишто може повторно да се користат и се соодветни за рециклирање. Не фрлајте го производот со нормалниот домашен и друг отпад кога нема повеќе да го користите. Однесете го во собирен центар за рециклирање на електрична и електронска опрема. Консултирајте ги локалните надлежни тела за да дознаете каде се овие собирни центри.

Усогласеност со директивата за ризик од опасни материи

Производот што го купивте е усогласен со директивата на ЕУ за ризик од опасни материи (2011/65/EU). Не користи штетни и забранети материјали коишто се посочени во директивата.


1.2 Информации за пакувањето



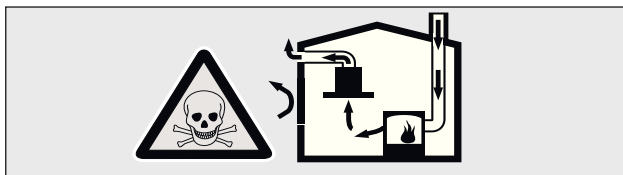
Материјалите за пакувањето на производот се изработени од рециклирачки материјали во согласност со нашите национални регулативи за животна средина. Не фрлајте го материјалот од пакувањето заедно со домашниот или друг отпад. Однесете го во центар за собирање материјал од пакување што го посочува локалното надлежно тело.

2 Безбедносни предупредувања

2.1 Безбедносни предупредувања



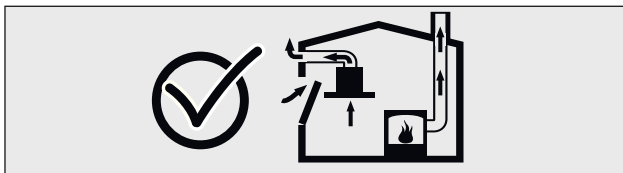
ПРЕДУПРЕДУВАЊЕ: Постои опасност од смрт и труење поради повторно апсорбираните гасови од согорувањето. Не употребувајте го уредот заедно со други уреди што емитуваат токсични гасови преку издувните цевки, како воздух, гас, јаглен или вода, бојлери или грејни тела за вода додека го употребувате издувниот систем, освен ако има адекватен проток на воздух додека се употребува.




Сл.2 Опасност од труење

Уредите за повторна циркулација (пр. системи за греење на гас, дрво или јаглен, бојлери, грејни тела за вода) го земаат воздухот за согорување на местото каде што се инсталирани и ги одведуваат вишокот гасови преку систем за отпаден гас (пр. издувна цевка). Кога аспираторот е активен, тој го вшмукува воздухот од кујната и соседните простории. Ако не е соодветен влезот на воздухот, може да се создаде вакум. Во тој случај се апсорбираат токсични гасови од издувната цевка и каналот за отпаден гас и влегуваат во просторијата. Сл. 2

Од таа причина треба секогаш да има адекватен влез на свеж воздух. Сл. 3




Сл. 3




ОПАСНОСТ: Опасност од пожар! Поради искри, инсталирањето на уредот на грејач со цврсто гориво (пр. дрво или јаглен) е дозволено само ако има капак што не се отстранува. Мора да се обрати внимание на моменталните регулативи за градби и регулативите на локалните компании за гас и струја при инсталацискиот процес. Ако уредот не е исчистен според упатствата за чистење, може да предизвика пожар.

2.2 Опасност од струен удар



ОПАСНОСТ: Не виткајте го и не стискајте го кабелот за струја за време на процесот на инсталација.

2.3 Опасност од повреда!



ОПАСНОСТ:

- Постои опасност од повреда од острите работи додека се инсталира уредот. Секогаш употребувајте заштитни ракавици додека го инсталирате уредот.
- Сите клинови и безбедносни капачиња треба да се стават како што е опишано во прирачникот поради ризик од уредот да падне.

2.4 Ризик за изгореници, опасност од струен удар



ОПАСНОСТ:

- Дозволете уредот да се олади пред да го чистите или одржувате. Извадете го осигурувачот или исклучете го уредот од штекерот.
- Постои опасност од оштетување поради навлегување на влага во електронските делови. Не чистете ги контролите со влажна крпа.
- Неправилното чистење може да ја оштети површината. Кога чистите површини од нерѓосувачки челик, секогаш следете ја насоката на линиите. Не употребувајте производи за чистење на нерѓосувачки челик кога ги чистите контролите.
- Агресивните или абразивните производи за чистење може да ја оштетат површината. Никогаш не употребувајте хемиски агресивни или абразивни агенси за чистење.
- Постои опасност од оштетување поради кондензациски рефлукс. Инсталирајте излезни цевки за воздух надолу од уредот (нагиб од 1°).



Ако уредот е оштетен или не работи, извадете го осигурувачот или исклучете го уредот од струја и повикајте авторизиран сервисер.



Ако се оштети кабелот за струја, за да се избегне каква било опасност, мора да биде заменет од производителот, техничкиот сервисер или лица со слични квалификации.



Ако сијаличките не работат, извадете го осигурувачот или исклучете го уредот од струја. За да избегнете преоптоварување на сијаличките, веднаш заменете ги нефункционалните (почекајте додека се оладат).



ВНИМАНИЕ: Кога се употребува со машини за готвење, деловите што се пристапни може да станат жешки.



ОПАСНОСТ: Излезот на воздух на уредот не смее никогаш да биде поврзан со вод за излез на димен плин од други машини или уреди на гас.

2.5 Опасност од пожар и физичка повреда!



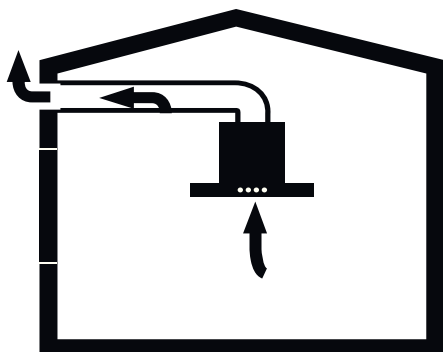
ОПАСНОСТ: Ако не направите поправки согласно регулативите или барањата, извадете го осигурувачот или исклучете ја струјата. Поправките смеат да ги прават само авторизирани технички сервисери или специјалист.

3 Инструкции за употреба

Уредот можете да го употребувате во режим на издувување или вентилирање воздух.

3.1 Режим на издувување воздух

Вшмуканиот воздух се чисти преку филтрите за маснотии и се изнесува низ систем на цевки.



Сл. 4: Издувување воздух без јаглероден филтер



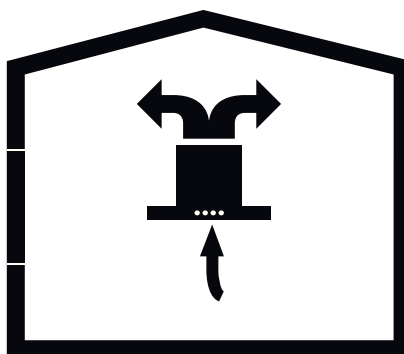
ПРЕДУПРЕДУВАЊЕ: Опасност од смрт!

Повторно апсорбираните издувни гасови може да предизвикаат труење. Издувниот гас не треба да се префрлува до издувна цевка што не е за чад или цевка за отпадни гасови, или издувна цевка што се употребува за вентилација на одредени места каде што се поставени извори на топлина.

- Ако сакате да го префрлите издувниот воздух во цевка за одведување на чад или цевка за отпадни гасови, треба да добиете дозвола од авторизиран чистач на оџаци.
- Ако издувниот воздух се изнесува низ надворешен ѕид, мора да се употреби телескопска ѕидна касета.

3.2 Издувување воздух со јаглероден филтер

Вшмуканиот воздух се чисти преку филтрите за маснотии и активен јаглероден филтер, а потоа повторно се префрлува во кујната.



Сл. 5: Издувување воздух со јаглероден филтер

За да ги отстраните супстанците што произведуваат миризба од воздухот, мора да прикачите филтер со активен јаглен. Проверете кои опции ви се достапни кај овластениот дилер за тоа каде може да се употребува уредот во режим на фен. Можете да ги купите потребните додатоци за овој процес кога го купувате производот, кај авторизиран сервисер или од интернет-продавница.

3.3 Замена на јаглеродниот филтер

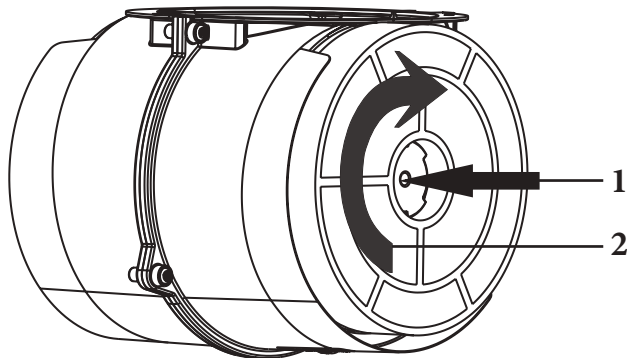
Кај уредите без издувни цевки, мора да се инсталира филтерот со активен јаглен за рецикулација и рефилтрација. Филтерот со активен јаглен треба да го купите од вашиот сервисер или дилер. Исклучете го уредот од струја пред да го замените јаглеродниот филтер. Со оглед дека јаглеродниот филтер се употребува во кујни каде што нема издувни цевки, треба да се заменува со нов на секои 3 до 5 месеци, во зависност од степенот на користење. Јаглеродниот филтер не смеете никогаш да го миете. Без разлика дали сте употребиле јаглероден филтер, мора да се инсталираат филтри за маснотии. Не употребувајте го уредот без филтер за маснотии.

3 Инструкции за употреба

3.4 Замена на јаглеродниот филтер AF 90



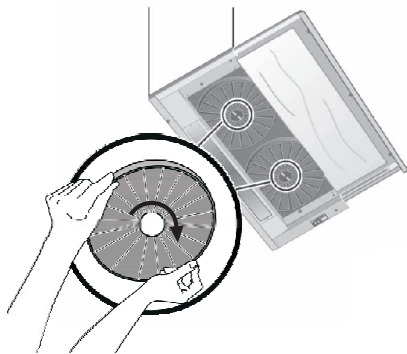
ОПАСНОСТ: Не смеете да ги миете јаглеродните филтри. Не оставајте ги јаглеродните филтри на дофат на деца.



Сл. 6: Јаглероден филтер AF 90

Уредот што сте го купиле одговара за употреба со јаглероден филтер AF 90.

1. Ставете го јаглеродниот филтер во соодветниот отвор. Сл. 6
2. Свртете го јаглеродниот филтер во насока на часовникот и гледајте да е правилно позициониран. Сл. 6



Ако не е правилно позициониран, може да отпадне и да се оштети производот.

3. Ставете го јаглеродниот филтер во соодветниот отвор. Сл. 6
4. Свртете го јаглеродниот филтер во насока на часовникот и гледајте да е правилно позициониран. Сл. 6

• ПРЕДУПРЕДУВАЊЕ!

- Секојпат кога планирате да го проверите или исчистите аспираторот, мора прво да го исклучите од струја.
- Чистењето и одржувањето на уредот не треба да се изведува од деца што не се под надзор.
- Агресивните или абразивните производи за чистење може да ја оштетат површината. Никогаш не употребувајте агресивни или абразивни агенси за чистење. Купете ги соодветните производи за чистење и заштита за вашиот уред од авторизираниот технички сервис. Површината на машината и контролните единици се чувствителни на гребнатини.
- Исчистете ја површината со мека, влажна крпа, со детергент за садови или неагресивно средство за чистење стакло. Отстранувајте ги закоравените остатоци со влажна крпа. Не гребете!
- Не треба да се употребува сува крпа, абразивен сунѓер, производи што создаваат фрикција и други агенси за чистење што содржат песок, сода, киселина или хлор.
- Чистете ги површините од нерѓосувачки челик во насока на шарите.
- Не употребувајте агенси за чистење на нерѓосувачки челик и мокри крпи за контролните единици.
- Чистење на филтрите за маснотии - Употребените метални филтри за маснотии ги фаќаат честичките од маснотиите директно од влажниот воздух и од пареата што се генерира во кујната. При нормални услови на употреба (1-2 часа дневно), чистењето на филтрите за маснотии треба да се чистат речиси секои три месеци.
- Не употребувајте премногу јаки агенси за чистење, алкали или киселини.
- Чистете ги и металните стеги за филтерот за маснотии со влажна крпа.

4.1 Миеење на филтрите за маснотии во машина за садови

- Филтрите за маснотии можете да ги миете рачно или во машина за садови.
- Кога ги миете филтрите во машина, бојата може малку да им се измени. Тоа не влијае врз нивната функција.
- Не мијте ги многу валканите метални филтри за маснотии заедно со другите садови.
- Ставете ги филтрите за маснотии во машина за садови без да ги трупате.

4.2 Рачно миеење

- Може да употребите специјален раствор за маснотии за да ја отстраните упорната нечистотија. Овој тип на раствор можете да го најдете кај авторизиран продажник.
- Ставете ги филтрите за маснотии во топла вода со детергент за садови.
- Употребете четка за чистење и почекајте течноста на металните филтри за маснотии да се исцедат целосно.
- Исплакнете ги филтрите темелно по чистењето.

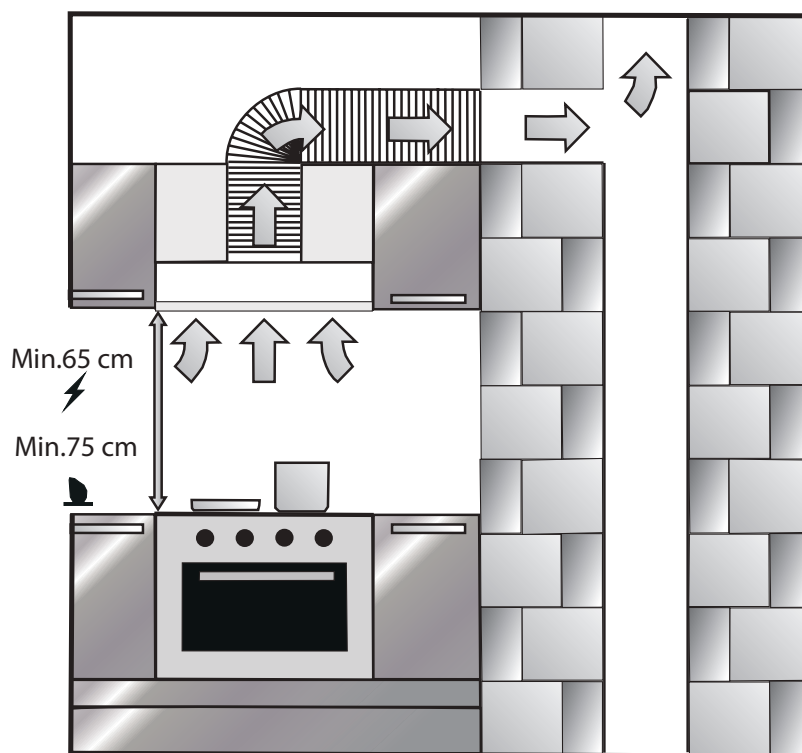


ПРЕДУПРЕДУВАЊЕ:

Чистењето ги металните филтри за маснотии навремено за да избегнете опасност од пожар којшто е предизвикан од преголема топлина за време на пржење.

4.3 Отстранување/инсталирање на алуминиумски филтер

Повлечете го алуминиумскиот филтер кон вас со притискање на соодветното копче. За да го инсталирате филтерот, направете го истото во обратен редослед.



Сл. 7: Инсталација на уредот

По инсталирањето на аспираторот, минималното растојание меѓу производот и кој било електричен уред за готвење мора да биде 650 mm, и 750 mm меѓу производот и уредите за готвење на гас или други горива. Сл. 7

5.1 Инсталирање и распакување на уредот

Проверете дали е дефектен.

- Оштетувањата за време на транспортот треба да се пријават веднаш кај доставувачот.
- Исто така, продавачот мора да биде известен и за видливите дефекти.
- Не оставајте ги децата да си играат со амбалажата!!!

5.2 Инсталирање и распакување на уредот

- Периодично менувајте ги јаглеродните филтри.
- Секогаш чистете ги алуминиумските филтри. Со оглед дека валканите филтри може да го блокираат дотокот на воздух, уредот ќе треба да работи со поголема брзина на вшмукување.
- Употребувајте го уредот со соодветната брзина.
- Ако го употребувате на поголема брзина, ќе се зголеми потрошувачката на енергија.

5.3 Режим на издувување воздух

• ПРЕДУПРЕДУВАЊЕ

Опасност од смрт!

Повторно апсорбираните издувни гасови може да предизвикаат труење. Издувниот воздух мора да се префрли во одвод за отпаден гас или во издувен вод што се употребува за вентилација на одредени места каде што се инсталирани извори на топлина.

Ако сакате да го префрлите издувниот воздух во цевка за одведување на чад или цевка за неактивни отпадни гасови, треба да добиете дозвола од авторизиран чистач на оџаци.

Ако издувниот воздух се ослободува низ надворешен сид, мора да се употреби телескопска сидна касета.

5.4 Излезот за воздух

Информации: Производителот на уредот не е одговорен за грешки предизвикани од употребените цевки.

- Машината функционира со целосен перформанс кога се употребува кратка и плоската излезна цевка со што е можно поголем перформанс.
- Кога употребувате долги, тврди водови, повеќе аголни парчиња или цевки со дијаметар помал од 150 mm, не може да се постигне оптимална вентилација, а нивото на бучава од фенот се зголемува.
- Цевките или црвата што се употребуваат за рутата на воздухот не смее да бидат направени од запаливи материјали.

Циркуларен цевковод

Внатрешниот дијаметар се препорачува да биде 150 mm или барем 120 mm.

Плоснати цевки

Внатрешниот дел мора да кореспондира на дијаметарот на циркуларниот цевковод.

Приближно Ø 150 mm 177 cm²

Приближно Ø 120 mm 173 cm²

- Плоснатите цевки не смее да имаат остри аголни делови.
- Употребувајте изолир за цевки со различни дијаметри.

5.5 Проверка на сидот

- Сидот мора да биде рамен, прав и треба да има доволен капацитет за товар.
- Длабочината на дупките мора да кореспондира со должината на клиновите. Типлите мора да одговараат.
- Шрафовите и типлите мора да одговараат за употреба на ригидни монолитни сидови. Употребувајте одговарачки стеги за различни видови конструкции (пр. гипс табли, перфориран бетон, делови од цигли).

5.6 Поврзување на електриката

• ПРЕДУПРЕДУВАЊЕ

Ризик од електричен удар!

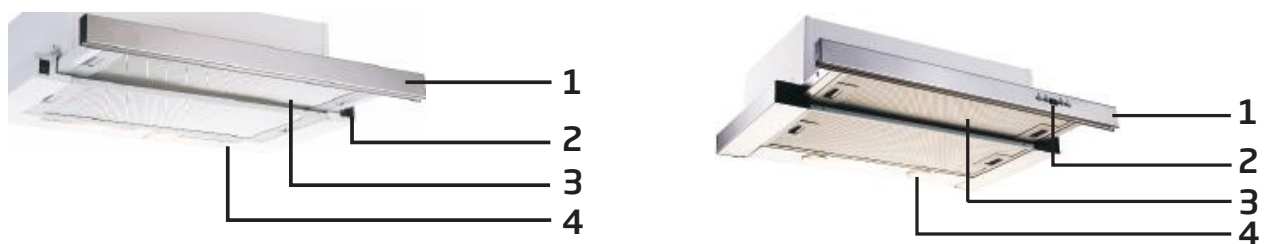
Компонентите на уредот може да имаат остри рабови. Кабелот за поврзување може да се оштети. Не виткајте го и не стискајте го кабелот за струја за време на инсталацијата.

Потребните податоци за поврзување се наоѓаат на етикетата во уредот; за да ја видите, мора да ги отстраните металните филтри за маснотии.

Должина на кабелот за поврзување: припл. 1,3 m. Уредот е во согласност со Принципите за отстранување на пречки на ЕУ.

Гледајте секогаш да е можно исклучување на уредот од штекер. Уредот мора да биде поврзан со штекер со заштитен контакт и да биде инсталиран согласно моменталните регулативи. Ако не можете да го дофатите приклучокот по инсталацијата или за време на потребното фиксирано поврзување, мора да има неколку полни системи на раздвојување со растојание на контакт од барем 3 mm од инсталацијата. Фиксираното поврзување го изведува само авторизиран техничар.

6 Преглед на опремата



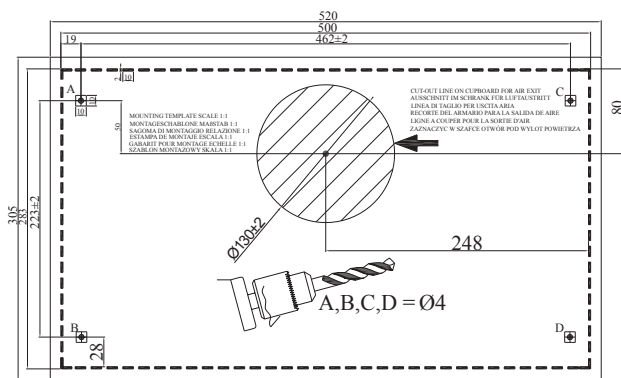
Сл. 9: Преглед на аспираторот

1. Преден панел
2. Клуч
3. Филтер
4. Светло

7 Упатство за инсталација

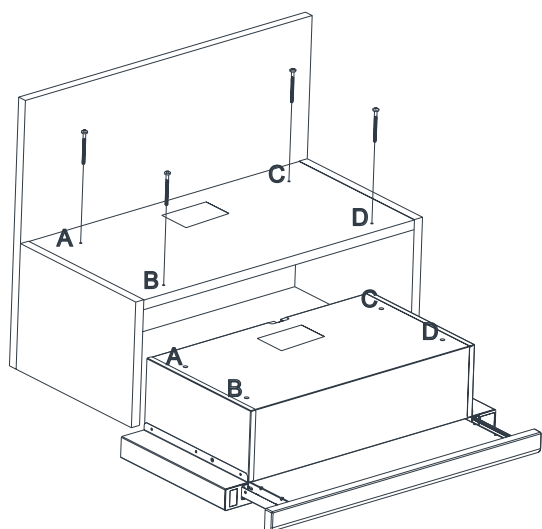
7.1 Бушење на сидот и поставување држач

Избушете дупки со $\varnothing 4\text{ mm}$ во точките означени како А, В, С и D на шемата за монтажа. Слика 2



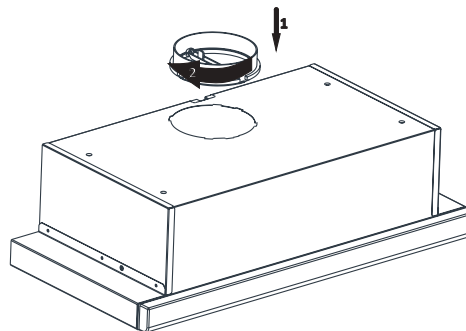
Слика 2

Опремата ќе биде монтирана на кукиштето во точките А, В, С и D со помош на 4 ц 40 шrafoви што се добиваат со опремата. Предниот панел не треба да се трие од капакот на кукиштето кога се движи лизгачкиот комплет. Слика 3

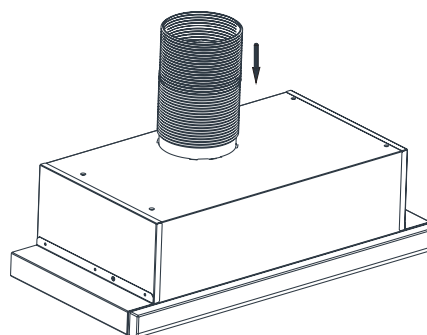


Слика 3

Поставете ја пластичната цевка што сте ја добиле со опремата на издувната цевка од опремата. Свртете ја пластичната цевка во насока на часовникот. Слика 4



Слика 4



Слика 5

Инсталирајте ја флексибилната алуминиумска цевка во пластичната излезна цевка. Инсталирајте го другиот крај од цевката во отворот на сидот. Слика 5



ПРЕДУПРЕДУВАЊЕ: Со оглед дека со виткањето на алуминиумската цевка се намалува моќта на вшмукување воздух, избегнувајте да ја виткате.

Функции на опремата

Аспираторот се употребува во кујни со или без црева.

Употреба на уредот со црево;

Кога се употребува со црево, аспираторот мора да биде поврзан со цевка којашто ќе ослободува воздух. Предност треба да има краткиот систем на цевки којшто ќе води за да се добие максимална ефикасност. Производот е произведен во форма којашто одговара за употреба на цевка.

Прекинувач со 3 брзини

Сијаличка за прекинувачот



Поставете го прекинувач во режим за сијаличка за да се вклучи светлото. Лизгачкиот комплет мора да биде откачен за да се вклучат светлата.

3. Прекинувач за циркулација на воздух



За да работи машината во прва брзина, поставете го прекинувачот нагоре. За производот да работи во втора брзина, поставете го долу.

3. Турбо прекинувач за циркулација на воздух



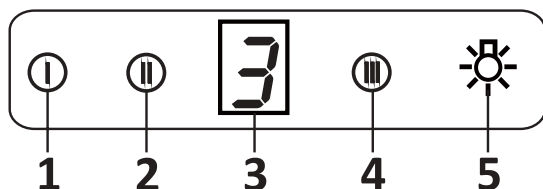
За да работи машината во трета брзина, поставете го прекинувачот долу.

Прекинувач со 2 брзини



Производот има 2 сијалички и прекинувач за контрола на светлото. Лизгачкиот комплет мора да биде откачен за да се вклучат светлата.

Дигитален приказ на 3 брзини



1. Притиснете на ова копче кога сакате производот да работи во 1 брзина.
2. Притиснете на ова копче кога сакате производот да работи во 2 брзина.
3. Притиснете на ова копче кога сакате производот да работи во 3 брзина.

4. Притиснете на ова копче кога сакате да ги вклучите светлата.

Избор на брзина

Уредот има вентилација од 3 нивоа. Едно од нивоата на вентилација се избира согласно готвењето и пареата што се произведува. Започнете со притискање на копчињата за контрола на моторот на предниот панел. Електронски контролираните модели имаат автоматски тајмер.

Тајмер

Ако го држите притиснато на кое било од копчињата за старт повеќе од 2 секунди, ќе се активира функцијата за тајмер во траење од 15 минути. Приказот ќе емитува сигнал кога ќе започне тајмерот и моторот автоматски ќе се исклучи во траење од 15 минути.

Чистење на металниот филтер:

Филтрите треба да се чистат кога се појавува сигналот „С“ на кранот или (во зависност од користењето) по 2-3 недели. Кога се чистат филтрите и се враќаат на место, држете го копчето притиснато повеќе од 3 секунди за да се тргне ознаката „С“ (кога производот е неактивен). Се појавува буквата „Е“ на екранот и единицата започнува да функционира нормално. Ако сакате да продолжите со работата без да го избришете сигналот „С“, кога ќе го притиснете копчето, активната операција ќе трае уште 1 секунда и сигналот „С“ ќе се појави повторно и моторот ќе продолжи да работи.



ПРЕДУПРЕДУВАЊЕ:

Сигналот „С“ ќе се појави на крајот од 60-часовниот период.

Дигитален приказ на 5 брзини





ПРЕДУПРЕДУВАЊЕ:

Сигналот „С“ ќе се појави на крајот од 60-часовниот период на употреба на машината.



ВКЛ / ИСКЛ: Опремата ќе стартува кога ќе биде притиснато копчето.



Намалена брзина: Брзината ќе се намали ако го притиснете ова копче.



Зголемена брзина: Брзината ќе се зголеми ако го притиснете ова копче.





Тајмер: Кога е притиснато копчето, функцијата за тајмер е активирана во траење од 15 минути, и штом тајмерот започне, приказот дава сигнал, а моторот автоматски стопа по 15 минути.



Сијаличка: Сијаличката ќе стартува кога ќе биде притиснато копчето. Притиснете го ова копче повторно за да ја вклучите сијалицата.

Периоди на чистење филтри:

Филтрите треба да се чистат кога се појавува знакот „С“ на кранот или (во зависност од користењето) по 2-3 недели. Кога се чистат и монтираат филтрите на нивните локации, држете го копчето притиснато повеќе од 3 секунди за да се тргне знакот „С“ (кога производот е во мирување) . Се појавува буквата „Е“ на екранот и единицата започнува да функционира нормално. Ако сакате да продолжите со работата без да го избришете сигналот „С“, кога ќе го притиснете копчето , активната операција ќе трае уште 1 секунда и сигналот „С“ ќе се појави повторно и моторот ќе продолжи да работи.



Сигналот „С“ ќе се појави на крајот од 60-часовниот циклус.

Ефективна употреба и заштеда на енергија:

- Кога го употребувате аспираторот, приспособете ги поставките за брзината на пареата и интензитетот на миризбата за да заштедите струја.
- Употребувајте пониски брзини (1-2) во нормални услови и повсоки брзини (3) за интензивна миризба и пареа.
- Се поставуваат халогенски сијалички за да ја осветлуваат зоната на готвење. Ако се употребуваат за амбиентална светлина, тогаш ќе произведуваат непотребна потрошувачка на струја и недоволна осветленост.

Користење на производот:

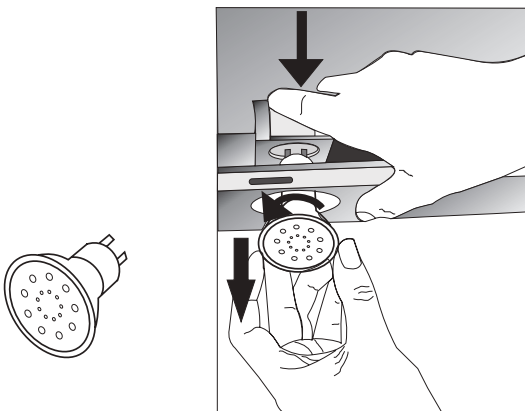
- Аспираторот содржи мотор којшто има различни брзини.

9 Поставување на сијалиците



ОПАСНОСТ: Исклучете го аспираторот од струја. Чекајте сијалиците да се оладат бидејќи се жешки и може да предизвикаат изгореници по рацете.

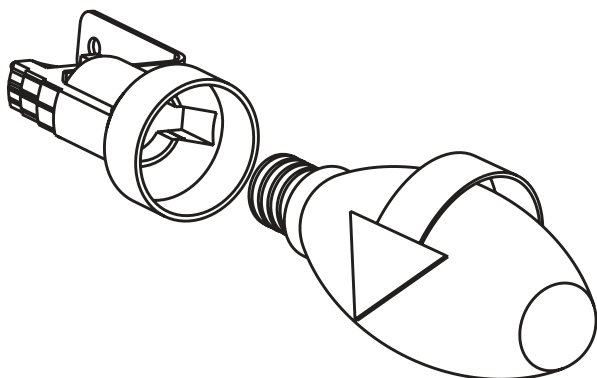
9.1 Замена на халогенска сијаличка



Сл. 13: Замена на ЛЕД сијалицата

Отстранете го држачот за алуминиумски филтер. Отстранете ја дефективната сијалица и заменете ја со нова од истиот тип. Сл. 13

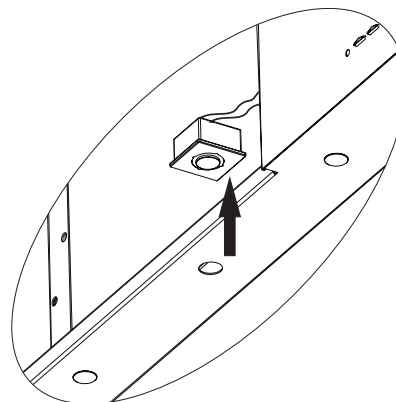
9.2 Замена на обична сијаличка



Сл. 14: Замена на обична сијаличка

Отстранете го држачот за алуминиумски филтер. Отстранете ја дефективната сијалица и заменете ја со нова од истиот тип. Сл. 14

9.3 Замена на ЛЕД сијаличка



1W

- Исклучете ја струјата за ЛЕД.
- Притиснете ја сијаличката со раката за да ја отстраните.
- Разделете ја самолепливата лента околу телото на сијаличката.
- Отстранете го заштитниот слој од рамката пред да ја ставите ЛЕД сијаличката и потоа ставете ја во производот.

Ако светлото не работи.

- Проверете дали уредот е поврзан во струја и дали осигурувачите се дефектни.
- Проверете ги сијалиците. Гледајте да го исклучите уредот го од струја пред проверката. Затегнете ги сијалиците ако се отшрафени. Можете да ги замените ако производот и понатаму не работи.

10.1 Можни грешки и нивно решавање пред да повикате сервис

10.1.1 Ако уредот не работи:

- Проверете дали уредот е поврзан во струја и дали приклучокот е правилно ставен.
- Проверете го осигурувачот со кој е поврзан уредот.

10.1.2 Ако уредот не работи правилно или прави бучава додека работи:

- Дали дијаметарот на излезот е адекватен? (мин. 120 mm).
- Дали се чисти металните филтри? Проверете.
- Ако го употребувате аспираторот без издувна цевка, гледајте јаглеродните филтри да не се постари од 6 месеци.
- Гледајте кујната да е добро вентилирана за да има правилна циркулација на воздухот. Ако и понатаму не сте задоволни со работата на уредот, стапете во контакт со авторизираниот сервисер.

10.2 Можни проблеми и решенија

Проблем	Можна причина	Дејство
Машината не работи	Проверете го кабелот за струја	Волтажата мора да биде 220-240 V, а производот мора да биде поврзан со заземјен излез
Не работи сијалица	Проверете го кабелот за струја	Волтажата мора да биде 220-240 V, а производот мора да биде поврзан со заземјен излез
Не работи сијалица	Проверете го кабелот за струја	Înterupătorul becului trebuie să fie în poziția „on” (pornit)
Не работи сијалица	Проверете ги сијалиците	Сијалиците мора да се функционални
Дефектен довод на воздух	Проверете го алуминиумскиот филтер	Во нормални работни услови, држачот за алуминиумскиот филтер мора да биде чистен барем еднаш месечно
Дефектен довод на воздух	Проверете го водот за издувен воздух	Треба да биде отворена издувната цевка за воздух
Дефектен довод на воздух	Проверете го јаглеродниот филтер	Производите базирани на јаглерод треба да се заменуваат секои 3 месеци под нормални услови на искористеност
Уредот не одведува воздух (употреба без издувна цевка)	Проверете го алуминиумскиот филтер	Во нормални работни услови, држачот за алуминиумскиот филтер мора да биде чистен барем еднаш месечно
Единицата не го издувува воздухот (се употребува без издувна цевка)	Проверете го јаглеродниот филтер	Јаглеродните филтри треба да се заменуваат секои 3 месеци под нормални услови на искористеност

10.3 Технички податоци

Напојување	220 - 240 V 50 Hz
Класа на изолација на мотор	F
Класа на изолација	КЛАСА I





Lutemi më parë të lexoni këtë manual përdorimi!

I nderuar klient,

Faleminderit që preferuat një produkt Beko. Shpresojmë që të merrni rezultatet më të mira nga produkti juaj i cili është prodhuar me teknologjinë më të fundit të cilësisë së lartë. Prandaj, lutemi të lexoni me kujdes të gjithë këtë manual dhe dokumentet e tjera shoqëruese para se të përdorni produktin dhe mbajeni si referencë për ta përdorur në të ardhmen. Nëse e dorëzoni produktin te dikush tjetër, jepini gjithashtu edhe manualin e përdorimit. Ndiqni të gjitha paralajmërimet dhe udhëzimet në manualin e përdoruesit.

Kuptimi i simboleve

Simbolet e mëposhtme përdoren në pjesë të ndryshme të këtij manuali:

	Informacione të rëndësishme ose sugjerime të dobishme rreth përdorimit.
	PARALAJMËRIM: Paralajmërim për situata të rrezikshme në lidhje me jetën dhe pronën.
	Paralajmërim për goditje elektrike.
	Paralajmërim për sipërfaqe të nxehta.

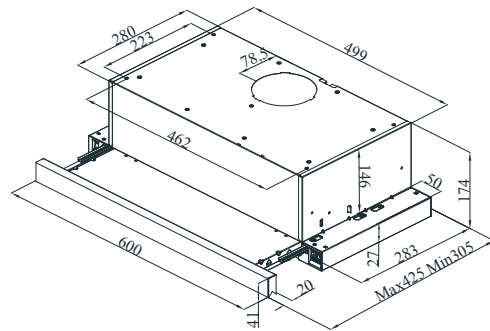
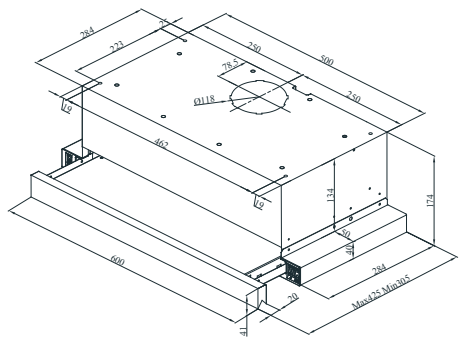
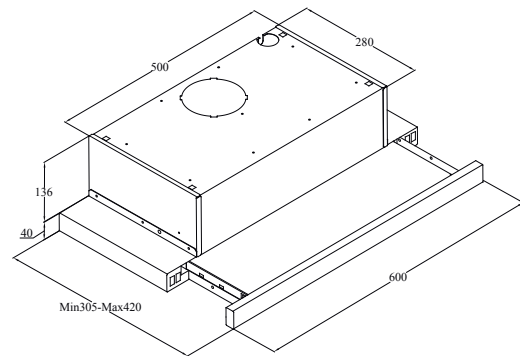
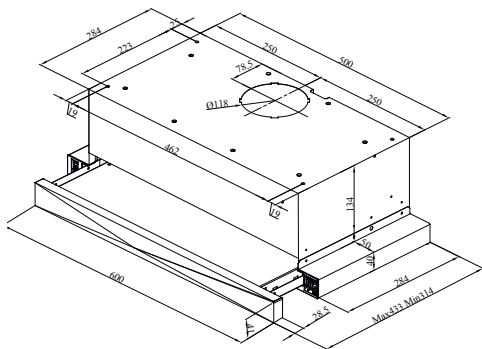
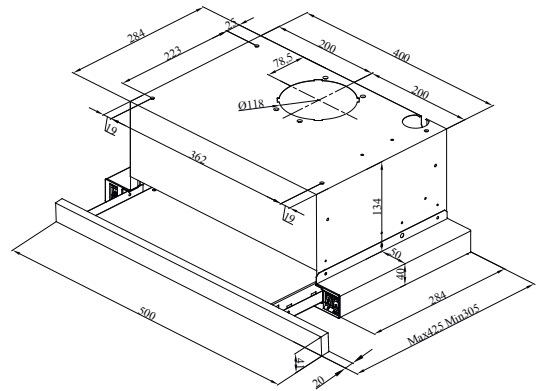
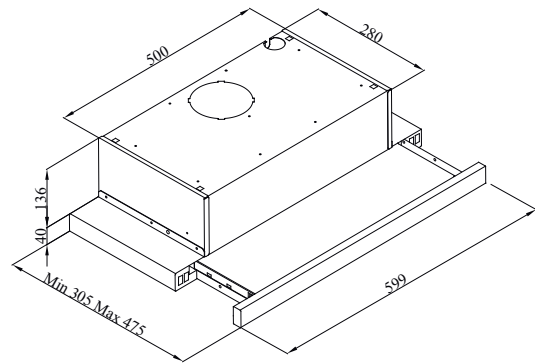


Ky produkt është prodhuar në ambiente moderne që nuk dëmtojnë mjedisin.

I përmbahet Direktivës WEEE.



Nuk përmban PCB.



HNT 61310 X

Fig. 1: Vizatim teknik

1

Udhëzime të rëndësishme për sigurinë dhe mjedisin

- Kjo pajisje mund të përdoret nga fëmijët e moshës nga 8 vjeç e sipër si edhe nga njerëzit me aftësi të kufizuara fizike, ndjesore ose mendore ose me mungesë eksperience dhe/ose njohurie, nëse këta njerëz mbikëqyren ose udhëzohen si ta përdron pajisjen në mënyrë të sigurt dhe që i kuptojnë rreziqet të mund të lindin nga përdorimi i saj.
- Pajisja është bërë për t'u përdorur në ambient familjar.
- Furnizimi me energji: 220-240 V~ 50 Hz.
- Siguria elektrike e pajisjes garantohet vetëm kur lidhet me një sistem përçues tokëzimi mbrojtës (PE) të instaluar si duhet. Nuk lejohet lidhja me një prizë energjie pa përçues PE.
- Nëse nuk jeni të sigurt, sistemi elektrik duhet të kontrollohet nga një agjent servisi i autorizuar.
- Instalimi i pakualifikuar mund të shkaktojë performancë të ulët, dëmtim të produktit, prishje ose aksidente.
- Parandaloni dëmtimet e kabllit të energjisë duke mos e shtypur, përthyer ose fërkuar mbi cepa të mprehta. Mbajeni kabllin e energjisë larg nga sipërfaqet e nxehta dhe flaka e ndezur.
- Mos e lidhni pajisjen në prizë para se të jetë instaluar mirë.
- Vendoseni pajisjen në mënyrë të tillë që spina të arrihet me lehtësi.
- Asnjëherë mos e prekni llambën e aspiratorit të sobës pas përdorimit për kohë të gjatë, prisni derisa të jetë ftohur. Llambat e nxehta mund t'ju djegin lëkurën.
- Pajisja është bërë për t'u përdorur në shtëpi dhe për aplikime të ngjashme gatimi, mosndjekja e këtyre udhëzimeve e bën garancinë e dhënë të pavlefshme.
- Zbatoni rregullat e vendosura nga autoritetet mbi shkarkimin e ajrit të djegur. (Ky paralajmërim nuk zbatohet për përdorimin pa tub shkarkimi).
- Nuk lejohet gatimi me flakë poshtë aspiratorit të sobës.
- Ndizeni pajisjen pasi të keni vënë tenxheren, tiganin, etj. mbi sobë, përndryshe, temperatura e lartë mund të shkaktojë deformim të pjesëve të pajisjes.

Udhëzime të rëndësishme për sigurinë dhe mjedisin

- Fikeni sobën para se të hiqni tiganin, tenxheren, etj. nga soba.
- Mos lini vaj të nxehtë mbi sobë. Lavastoviljet që kanë vaj të nxehtë mund të shkaktojnë zjarr.
- Për shkak se vaji mund të marrë flakë kur piqni disa ushqime të caktuara, kushtojini kujdes të veçantë perdeve dhe leckave të tavolinave.
- Sigurohuni që filtrat e pajisjes të ndërrohen në kohën e duhur.
- Mosndërrimi i filtrave përbën rrezik zjarri për shkak të yndyrës së akumuluar në ta.
- Mos përdorni materiale filtrash rezistente ndaj zjarrit në vend të filtrave të zakonshëm.
- Mos e përdorni pajisjen pa filtër dhe mos i hiqni filtrat kur pajisja është e ndezur.
- Në rast zjarri, shkëputni nga korrenti aspiratorin dhe pajisjet e gatimit. (Shkëputeni pajisjen ose fikni çelësin kryesor).
- Nëse pastrimi periodik i produktit tuaj nuk bëhet në kohë, mund të ketë rrezik zjarri.
- Shkëputeni pajisjen para se të bëni punë në të. (Shkëputeni pajisjen ose fikni çelësin kryesor).
- Nëse aspiratori përdoret njëkohësisht me pajisjet që kanë karburante të tjera përveç elektricitetit, presioni negativ në dhomë nuk duhet t'i kalojë 4 Pa (4 x 10 bar).
- Vatrën me karburant si për shembull sistemet e ngrohjes së dhomës që janë në të njëjtin ambient me produktin tuaj duhet të jenë të izoluara komplet nga sistemi i shkarkimit të këtij produkti ose duhet të jenë të izoluara hermetikisht.
- Kur lidhni një tub daljeje, përdorni tuba me diametër 150 mm ose 120 mm.
- Gjatësia e tubit lidhës si edhe numri i pjesëve L duhet të jetë sa më i vogël të jetë e mundur.
- Fëmijët nuk duhet të luajnë me pajisjen.
- Për siguri, përdorni një siguresë "MAX 6 A" në sistemin e aspiratorit të sobës.
- Për shkak se materialet e paketimit mund të jenë të rrezikshme, mbajini larg fëmijëve.

1

Udhëzime të rëndësishme për sigurinë dhe mjedisin

- Nëse kordoni i energjisë dëmtohet, duhet të ndërrohet nga prodhuesi, përfaqësuesi servisit teknik ose personeli me kualifikime të ngjashme për të shmangur çfarëdo rreziku.
- Në rast zjarri, shkëputeni aspiratorin dhe pajisjet e gatimit dhe mbuloni flakën. Asnjëherë mos përdorni ujë për të fikur zjarrin.
- Kur pajisjet e gatimit janë në punë, pjesët e tyre mund të jenë të nxehta.
- Kjo pajisje nuk duhet të përdoret nga njerëz me aftësi të kufizuara fizike, ndjesore ose mendore (përfshirë fëmijët) ose nga njerëz pa eksperiencë dhe njohuri të përshtatshme për përdorimin e saj përveç nëse mbikëqyren nga një person përgjegjës për sigurinë e pajisjes.
- Pasi të keni instaluar aspiratorin, distanca minimale duhet të jetë 65 cm midis produkti dhe çdo sobe elektrike dhe 75 cm midis produktit dhe sobave me gaz ose pajisjeve të gatimit që përdorin karburante të tjera.
- Tubi i daljes së aspiratorit nuk duhet të lidhet me tubacione të nxjerrjes së tymit nga pajisje të tjera.
- Duhet të tregohet kujdes ku pajisja përdoret njëkohësisht me pajisje të tjera që përdorin të njëjtin ajër në të njëjtin ambient (p.sh. gaz, naftë, qymyr, dru, bojler, etj.). Kjo është për shkak të faktit se aspiratori mund të pakësojë djegien pasi lëshon ajër në atmosferën e dhomës.
- Ky paralajmërim nuk zbatohet në rast të përdorimit të pajisjes pa tubacion evakuimi.
- Kur aspiratori përdoret njëkohësisht me pajisje me gaz ose karburante të tjera, dhoma duhet të ajroset mjaftueshëm (kjo mund të mos zbatohet për pajisjet që evakojnë ajrin përsëri në dhomë).

Udhëzime të rëndësishme për sigurinë dhe mjedisin

- Përdorimi njëkohësisht i disa sobave mund të çojë në prodhim të madh të nxehtësisë. Prandaj, një pajisje ventilimi e vendosur mbi sipërfaqen e gatimit mund të dëmtohet ose të digjet. Mos përdorni dy soba me gaz në kushte nxehtësie të lartë për më shumë se 15 minuta. Një vatër e madhe me kapacitet pune prej më shumë se 5 kW ka një fuqi të barabartë me dy vatra me gaz.

1.1 Pajtueshmëria me direktivën WEEE dhe hedhja e mbetjeve:

Ky produkt i përmbahet Direktivës WEEE të BE (2012/19/EU). Ky produkt mbart një simbol klasifikimi për mbetjet e pajisjeve elektrike dhe elektronike (WEEE).



Ky produkt është prodhuar me pjesë dhe materiale me cilësi të lartë të cilat mund të ripërdoren dhe janë të përshtatshme për riciklim. Mos e hidhni produktin bashkë me mbeturinat shtëpiake ose mbeturinat e tjera në fund të jetës së tij. Çojeni në një qendër grumbullimi për riciklimin e pajisjeve elektrike dhe elektronike. Ju lutem konsultohuni me autoritetet lokale për të mësuar më shumë rreth këtyre qendrave të grumbullimit.

Pajtimi me direktivën RoHS

Produkti që keni blerë i përmbahet Direktivës RoHS të BE (2011/65/EU). Nuk përmban materiale të dëmshme dhe të ndaluara të përcaktuara në Direktivë.


1.2 Informacione për paketimin



Materialet e paketimit të produktit janë prodhuar prej materialesh të riciklueshme sipas rregullave tona kombëtare për mjedisin. Mos i hidhni materialet e paketimit bashkë me mbeturinat familjare ose të tjera. Çojini ato në pikat e grumbullimit të materialeve të paketimit të caktuara nga autoritetet vendase.

2 Paralajmërimet e sigurisë

2.1 Paralajmërimet e sigurisë



PARALAJMËRIM: Ekziston rrezik vdekjeje dhe helmimi për shkak të rithithjes së tymrave. Gjatë përdorimit të sistemit të shkarkimit, mos e përdorni pajisjen së bashku me pajisjet e tjera që emetojnë gazra helmuese përmes tubave të shkarkimit si ajër, gaz, qymyr, dru, bojler, ngrohëse uji, etj. Përveç nëse ka qarkullim të përshtatshëm të ajrit gjatë përdorimit.

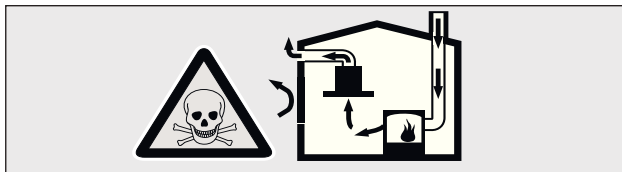


Fig.2 Rrezik helmimi

Pajisjet e qarkullimit të ajrit (p.sh. sisteme ngrohjeje me gaz, dru ose qymyr, bojlerë, ngrohëse uji) marrin ajrin e djegies në vendin e instalimit dhe nxjerrin tymra përmes një sistemi të nxjerrjes së tymrave (p.sh. tub shkarkimi). Kur aspiratori është aktiv, ai thith ajër nga kuzhina dhe dhomat pranë. Nëse ajri i thithjes është i pamjaftueshëm, mund të krijohet vakum. Në këtë rast, thithen gazra toksikë nga tubi i shkarkimit dhe kanali i tymrave dhe futen përsëri në dhomë. Fig. 2

Për këtë arsye, duhet të ruhet gjithmonë një sasi e përshtatshme ajri të freskët. Fig. 3

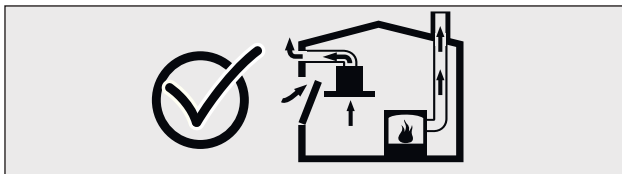



Fig.3




RREZIK: Rrezik zjarri! Për shkak të shkëndijave, instalimi i pajisjes mbi një ngrohëse karburanti solid (p.sh. dru ose qymyr) lejohet vetëm nëse ka një kapak që nuk hiqet. Për procesin e instalimit, duhet të tregohet kujdes për rregullat aktuale të ndërtimit dhe rregullat e kompanive lokale të energjisë elektrike dhe gazit. Nëse pajisja nuk pastrohet sipas udhëzimeve për pastrimin, ajo mund të shkaktojë zjarr.

2.2 Rrezik goditjeje elektrike



RREZIK: Mos e përkulni ose shtypni kabllin e energjisë gjatë procesit të instalimit.

2.3 Rrezik lëndimi!



RREZIK:

- Gjatë instalimit, ekziston rreziku i lëndimit për shkak të anëve të mprehta. Gjithmonë vishni doreza mbrojtëse kur instaloni pajisjen.
- Të gjithë bulonat dhe kapakët e sigurisë duhet të montohen siç tregohet në manualin e përdorimit pasi ekziston rreziku që pajisja të bjerë.

2 Paralajmërimi sigurie

2.4 Rrezik djegiesh, rrezik goditjesh elektrike



RREZIK:

- Lëreni pajisjen të ftohet para se ta pastroni ose para punëve të mirëmbajtjes. Shkëputni siguresën ose hiqeni pajisjen nga priza.
- Ekziston rreziku i dëmtimit për shkak të infiltrimit të lagështisë në pjesët elektronike. Mos i pastroni kontrollet me leckë të njomë.
- Pastrimi i papërshtatshëm mund ta dëmtojë sipërfaqen. Kur pastroni sipërfaqet prej inoksi, gjithmonë ndiqni drejtimin e lustrimit. Mos përdorni produkte pastrimi inoksi kur pastroni kontrollet.
- Produktet e pastrimit agresive ose gërryese mund ta dëmtojnë sipërfaqen. Asnjëherë mos përdorni agjentë agresivë ose gërryes.
- Ekziston rreziku i dëmtimit për shkak të refluksit të kondensimit. Instaloni tubat e daljes së ajrit në drejtim për poshtë nga pajisja (pjerrësi 1 °).



Nëse pajisja është e dëmtuar ose nuk punon, shkëputni siguresën ose shkëputni kordonin e energjisë dhe thërrisni një qendër servisi të autorizuar.



Nëse kordoni i energjisë dëmtohet, duhet të ndërrohet nga prodhuesi, përfaqësuesi i servisit teknik ose personeli me kualifikime të ngjashme për të shmangur çfarëdo rreziku.



Nëse llambat nuk punojnë, shkëputni siguresën ose shkëputni kordonin e energjisë. Për të shmangur mbingarkimin e llambave, ndërtoni menjëherë llambat që nuk punojnë (prisni derisa llamba të ftohet).



KUJDES: Kur përdoret me pajisje gatimi, pjesët e prekshme mund të nxehen.



RREZIK: Dalja e ajrit të kësaj pajisjeje nuk duhet të lidhet asnjëherë me tubacionet e shkarkimit të gazit nga makineri të tjera me gaz ose pajisje të tjera me gaz.

2.5 Rrezik zjarri dhe lëndimesh fizike!



RREZIK: Nëse riparimet nuk bëhen sipas rregullave ose kërkesave, fiken siguresën ose shkëputni kordonin e energjisë të pajisjes suaj. Riparimet duhet të bëhen vetëm nga përfaqësuesi i autorizuar i servisit teknik ose personeli specialist.

3 Udhëzime për përdorimin

Mund ta përdorni këtë pajisje në metodën e shkarkimit të gazit dhe metodën e ventilimit të ajrit.

3.1 Metoda e shkarkimit të ajrit

Ajri i thithjes pastrohet nga filtrat e yndyrës dhe shkarkohet përmes një sistemi tubacioni.

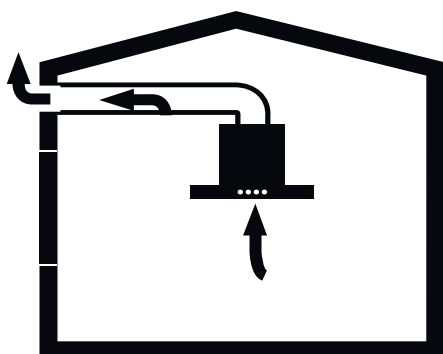


Fig. 4: Ajri i shkarkimit pa filtër karboni



PARALAJMËRIM: Rrezik vdekjeje!

Gazrat e shkarkimit të thithur mbrapsht mund të shkaktojnë helmim. Ajri i shkarkimit nuk duhet të transferohet në një tub shkarkimi pa tym ose tub tymrash, ose në një tub shkarkimi të përdorur për ventilimin e vendeve të caktuara ku instalohen burime nxehtësie.

- Nëse doni të transferoni ajrin e shkarkimit në një tub për evakuim tymi ose gazrash, atëherë duhet të merrni lejen e një pastruesi të autorizuar oxhaqesh.
- Nëse ajri i shkarkimit zbrazet përmes murit të jashtëm, duhet të përdoret një kasetë muri teleskopike.

3.2 Shkarkimi i ajrit me filtër karboni

Ajri i thithjes pastrohet nga filtrat e yndyrës dhe një filtër karboni aktiv, dhe pastaj transferohet përsëri në kuzhinë.

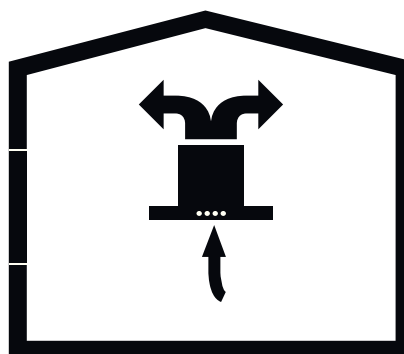


Fig. 5: Shkarkimi i ajrit me një filtër karboni

Për të hequr substancat që prodhojnë erëra nga ajri, duhet të vendosni një filtër karboni aktiv në pajisje. Flisni me shitësin e autorizuar për mundësitë e disponueshme ku mund të përdoret pajisja në metodën e ventilimit. Mund të blini aksesoret e nevojshëm për këtë proces në pikën e shitjes, servisit e autorizuar ose shitjet online.

3.3 Ndërrimi i filtrit të karbonit

Për pajisjet pa tuba shkarkimi, duhet të instalohet një filtër karboni aktiv për ri-qarkullimin dhe ri-filtrimin e ajrit. Filtri i karbonit aktiv duhet të blihet nga përfaqësuesi i servisit ose shitësi i autorizuar. Shkëputeni pajisjen para se të ndërroni filtrin e karbonit. Meqenëse filtri i karbonit përdoret në kuzhina pa tub shkarkimi, ai duhet të ndërrohet me një të ri çdo 3 deri në 5 muaj në varësi të shkallës së përdorimit. Filtri i karbonit nuk duhet të lahet asnjëherë. Qoftë nëse përdoret ose jo një filtër karboni, filtrat e yndyrës duhet të instalohen. Mos e përdorni pajisjen pa filtër yndyre.

3 Udhëzime për përdorimin

3.4 Ndërrimi i filtrit të karbonit AF 90



RREZIK: Mos i lani filtrat e karbonit. Mos i lini filtrat e karbonit jashtë ku mund t'i arrijnë fëmijët.

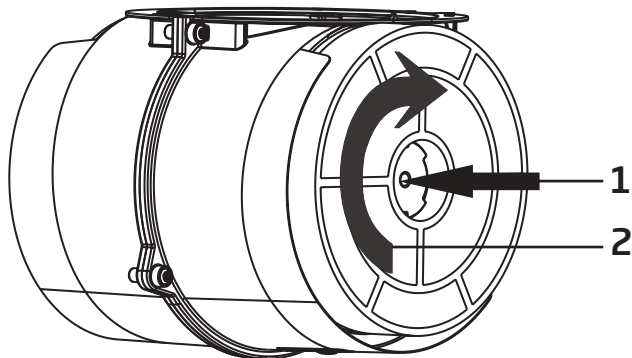
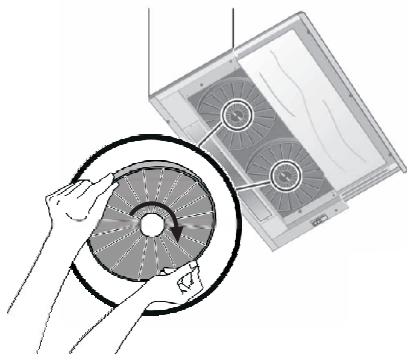


Fig. 6: Filtri i karbonit AF 90

Pajisja që keni blerë është e përshtatshme për përdorimin e një filtri karboni AF 90.

1. Vendoseni filtrin e karbonit në vendin e duhur. Fig. 6
2. Rrotullojeni filtrin e karbonit në drejtim të akrepave të orës dhe sigurohuni që të jetë pozicionuar mirë. Fig. 6



Nëse nuk është pozicionuar mirë, filtri i karbonit mund të bjerë dhe të dëmtojë produktin.

3. Vendoseni filtrin e karbonit në vendin e duhur. Fig. 6
4. Rrotullojeni filtrin e karbonit në drejtim të akrepave të orës dhe sigurohuni që të jetë pozicionuar mirë. Fig. 6

4 Udhëzime për pastrimin dhe mirëmbajtjen

• PARALAJMËRIM!

- Para çdo pune pastrimi dhe mirëmbajtjeje, aspiratori i sobës duhet të fiket dhe pajisja duhet të shkëputet nga energjia.
- Pastrimi dhe punët e mirëmbajtjes së pajisjes nuk duhet të bëhen nga fëmijët e pambikëqyrur.
- Produktet e pastrimit agresive ose gërryese mund ta dëmtojnë sipërfaqen. Asnjëherë mos përdorni agjentë agresivë ose gërryese. Blini produktet e përshtatshme për pastrimin dhe mbrojtjen për pajisjen tuaj nga servisi teknik i autorizuar. Sipërfaqja e pajisjes dhe njësitë e kontrollit janë të ndjeshme ndaj gërvishjeve.
- Pastrojini sipërfaqet me një leckë të butë, të njomë, me detergjent për larje enësh ose me pastrues xhamash jo-agresiv. Hiqni mbetjet e ngurtësuar duke përdorur një leckë të njomë. Mos e gërvishitni!
- Përdorimi i leckave të thata, sfungjerëve gërryese, produkteve të fërkimit dhe agjentëve të tjerë të pastrimit që përmbajnë rërë, sodë ose klor nuk është i përshtatshëm.
- Pastroni sipërfaqet prej inoksi në drejtimin e lustrimit origjinal.
- Mos përdoreni agjentë pastrimi për inoks dhe leckë të njoma në njësitë e kontrollit.
- Pastrimi i filtrave të yndyrës - Filtrat metalikë të yndyrës të përdorur kapin grimcat e yndyrës nga ajri i lagësht dhe avulli i prodhuar në kuzhinë. Në kushte normale përdorimi (1-2 orë në ditë), pastrimi i filtrave të yndyrës duhet të bëhet rreth çdo tre muaj.
- Mos përdoni agjentë pastrimi, alkaline ose acide tepër të forta.
- Kur pastroni filtrat e yndyrës, pastroni gjithashtu kapëset e filtrave metalikë të yndyrës në pajisje me një leckë të njomë.

4.1 Larja e filtrave të yndyrës në lavastovilje

- Mund t'i lani filtrat e yndyrës në lavastovilje ose me dorë.
- Kur lani filtrat në lavastovilje, ngjyra e tyre mund të ndryshojë pak. Kjo nuk ndikon në funksionin e filtrave të yndyrës.
- Mos i lani filtrat metalikë të yndyrës tepër të pistë së bashku me enët e tjera.
- Vendosni filtrat e yndyrës në lavastovilje pa i ngatërruar ato.

4.2 Larja me dorë

- Mund të përdorni tretës të veçantë yndyre për të eliminuar papastërtitë e forta. Ky lloj tretësi mund të blihet nga një qendër shitjesh e autorizuar.
- Fshini filtrat e yndyrës në ujë të nxehtë me detergjent për larje enësh.
- Përdorni një furçë pastrimi dhe prisni që lëngu mbi filtrat metalikë të yndyrës të thahet komplet.
- Shpëlani mirë filtrat pas larjes.



PARALAJMËRIM: Pastrimi i filtrave metalikë të yndyrës në kohë ndihmon në shmangien e rrezikut të zjarrit të shkaktuar nga nxhetësia e tepërt e shkaktuar gjatë skuqjes.

4.3 Heqja / instalimi i filtrit të aluminit

Tërhiqeni filtrin e aluminit drejt vetes duke shtypur butonin përkatës. Bëni procesin në të kundërt për të instaluar filtrin.

5 Udhëzimet e instalimit

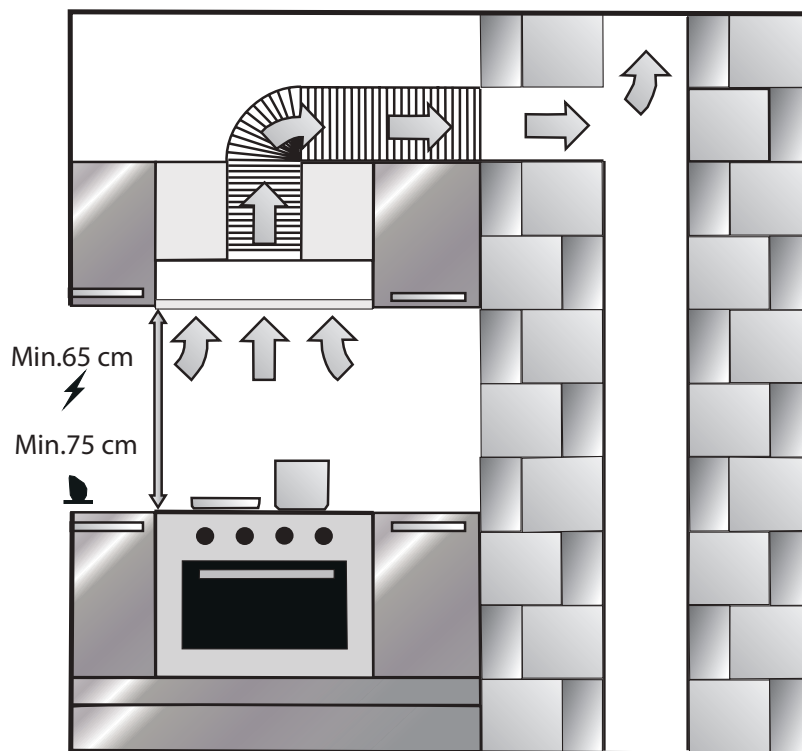


Fig. 7: Instalimi i pajisjes

Pasi instalimit të aspiratorit të sobës, distanca minimale duhet të jetë 650 mm midis produkti dhe çdo sobe elektrike dhe 750 mm midis produktit dhe sobave me gaz ose pajisjeve të gatimit që përdorin karburante të tjera. Fig. 7

5.1 Instalimi dhe shpaktimi i pajisjes

Kontrolloni nëse pajisja ka defekt.

- Dëmtimet e shkaktuara gjatë transportit duhet t'i raportohen korrierit menjëherë.
- Defektet e dukshme duhet t'i komunikohen gjithashtu shitësit.
- Mos i lini fëmijët të luajnë me materialet e paketimit!!!

5.2 Instalimi dhe shpaktimi i pajisjes

- Ndryshoni rregullisht filtrat e karbonit.
- Gjithmonë pastroni filtrat e aluminit. Për shkak se filtrat e pistë bllokojnë hyrjen e ajrit, pajisja do të punojë me shpejtësi thithjeje më të lartë.
- Përdorni produktin me shpejtësitë e duhura.
- Përdorimi i pajisjes në shpejtësi të larta do të rritë konsumin e energjisë.

5 Udhëzimet e instalimit

5.3 Metoda e shkarkimit të ajrit

• PARALAJMËRIM

Rrezik vdekjeje!

Gazrat e shkarkimit të thithur mbrapsht mund të shkaktojnë helmim. Ajri i shkarkimit nuk duhet të transferohet në një tubacion gazi ose qarkullim tymrash ose tubacion shkarkimi për të venteluar vende të caktuara ku janë instaluar burime të tjera nxehtësie.

Nëse doni të transferoni ajrin e shkarkimit në një tub tymi ose gazi joaktiv, duhet të merrni leje nga një pastrues i autorizuar oxhaqesh.

Nëse ajri i shkarkimit çlirohet në murin e jashtëm, duhet të përdoret një kasetë teleskopike muri.

5.4 Dalja e ajrit

Informacion: Prodhuesi i pajisjes nuk është përgjegjës për defektet e shkaktuara nga tubat e përdorur.

- Pajisja punon me performancë të plotë kur përdorni një tub daljeje ajri të shkurtër dhe të rrafshët me diametër sa më të madh të jetë e mundur.
- Kur përdorni tubacione të gjata, të forta, disa bërryla ose tuba me diametra më pak se 150 mm, nuk mund të arrihet performancë ventilimi optimale dhe niveli i zhurmës së ventilatorit rritet.
- Tubat ose zorrët e përdorura rrugën e ajrit të shkarkimit nuk duhet të jenë prej materialesh të djegshme.

Tubacionet rrethore

Rekomandohet që diametri i brendshëm të jetë 150 mm ose të paktën 120 mm.

Tubat e rrafshët

Pjesa e brendshme duhet të përkasë me diametrin e tubave rrethorë.

Ø 150 mm afërsisht 177 cm²

Ø 120 mm afërsisht 173 cm²

- Tubat e rrafshët nuk duhet të kenë bërryla L me kënd të fortë.

- Përdorni ngjitës për tubat me diametra të ndryshëm.

5.5 Kontrollimi i murit

- Muri duhet të jetë i sheshtë, i drejtë dhe duhet të ketë kapacitet mbajtës të mjaftueshëm.
- Thellësia e vrimave duhet të përkasë me gjatësinë e bulonave. Kunjat duhet të puthiten.
- Vidat dhe kunjat e montimit duhet të jenë të përshtatshme për përdorim në mure monolitike të forta. Përdorni kapëse për lloje të ndryshme ndërtimi (p.sh. dërrasë gipsi, beton, tulla proton).

5.6 Lidhja elektrike

• PARALAJMËRIM

Rrezik goditjeje elektrike!

Komponentët e pajisjes mund të kenë anë të mprehta. Kablli i lidhjes mund të dëmtohet. Mos e përthyeri ose shtypni kordonin e energjisë gjatë instalimit.

Të dhënat e nevojshme për lidhjen janë dhënë në etiketë brenda pajisjes; duhet të hiqen filtrat metalikë të yndyrës për të parë etiketën.

Gjatësia e kabllit të lidhjes: rreth 1.3 m. Pajisja i përmbahet Direktivave të BE-së për Heqjen e Interferencës.

Sigurohuni që të jetë gjithmonë e mundur shkëputja e pajisjes nga priza. Pajisja duhet të lidhet me një prizë të mbrojtur të instaluar sipas rregullave aktuale. Nëse spina nuk mund të arrihet pas instalimit ose gjatë lidhjes fikse të nevojshme, duhet të ketë sisteme ndarjesh me disa pole me distancë kontakti prej të paktën 3 mm nga instalimi. Lidhja fikse duhet të bëhet vetëm nga një teknik i autorizuar.

6 Përmbledhje e pajisjes

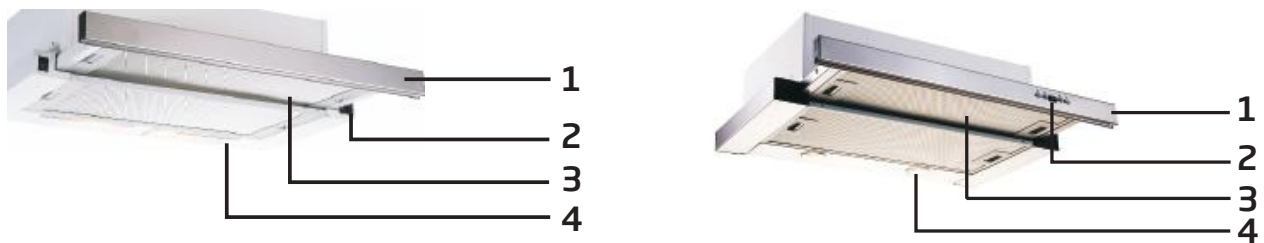


Fig. 9: Përmbledhje e aspiratorit të sobës

1. Paneli përpara
2. Çelës
3. Filtër
4. Dritë

7 Udhëzimet e instalimit

7.1 Shpimi në mur dhe fiksimi i kllapës

Shpini vrima me diametër $\varnothing 4$ mm në pikat A, B, C, D të shënuara në skemën e montimit. Figura 2

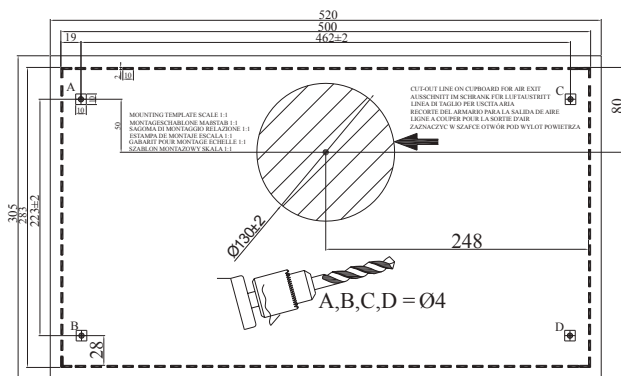


Figura 2

Pajisja do të montohet në trup në pikat A, B, C, D duke përdorur 4 vida 4 x 40 të dhëna me pajisjen. Paneli përpara nuk duhet të fërkohet me kapakun e trupit kur lëviz seti rrëshqitës. Figura 3

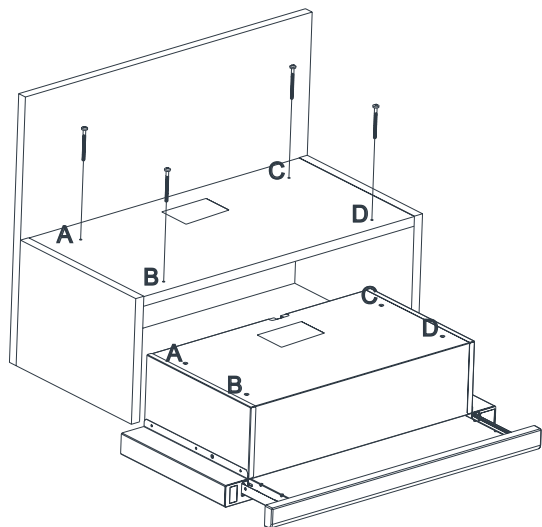


Figura 3

Vendosni tubin plastik të dhënë me pajisjen në tubin e shkarkimit të pajisjes. Rrotulloni tubin plastik në drejtim të akrepave të orës. Figura 4

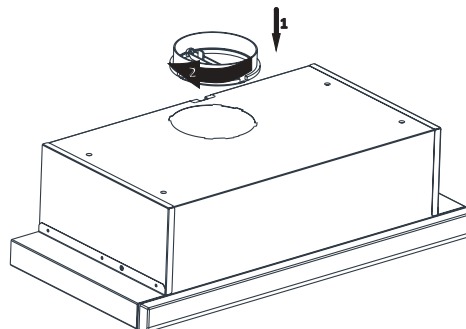


Figura 4

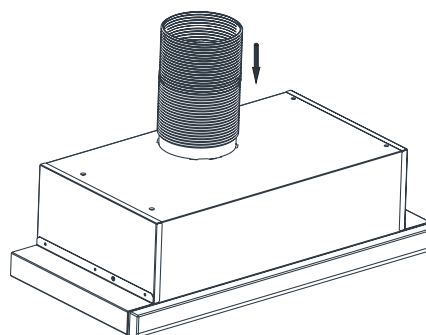


Figura 5

Instaloni tubin fleksibël të aluminit në daljen e tubit plastik. Instaloni anën tjetër të tubit në vrimën e tubit në mur. Figura 5



PARALAJMËRIM: Meqenëse përdredhja dhe përthyerja e tubit të aluminit pakëson fuqinë e thithjes, mos e përthyeri ose përdridhni tubin.

Funksionet e pajisjes

Aspiratori i sobës përdoret në kuzhina me ose pa zorra.

Përdorimi i pajisjes me zorrë;

Kur përdoret me zorrë, aspiratori i sobës duhet të lidhet me një tub që nxjerr ajrin. Preferoni sistemin me tubin më të shkurtër për të drejtuar tubin me qëllim që të arrini efikasitet maksimal nga kasa. Produkti juaj është prodhuar në formë të përshtatshme për përdorimin e tubit.

8 Operimi dhe përdorimi

3 Çelësat e shpejtësisë

Çelësi i llambës



Vendoseni çelësin në metodën e llambës për të ndezur dritën. Seti rrëshqitës duhet të shkëputet për të ndezur dritat.

3. Çelësi i qarkullimit të ajrit



Për ta vënë pajisjen në punë në shpejtësinë e parë, lëvizeni çelësin lart. Për ta vënë produktin në punë në shpejtësinë e dytë, lëvizeni çelësin poshtë.

3. Çelësi i qarkullimit të ajrit Turbo



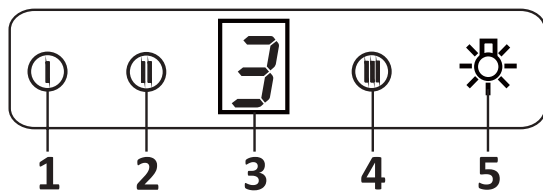
Për ta vënë pajisjen në punë në shpejtësinë e tretë, lëvizeni çelësin poshtë.

2 Çelësi i shpejtësive



Produkti ka 2 llamba dhe një çelës për të kontrolluar dritën. Seti rrëshqitës duhet të shkëputet për të ndezur dritat.

3 Ekran i dixhital i shpejtësive



1. Shtypni këtë buton kur doni ta vini produktin në punë në shpejtësinë 1.
2. Shtypni këtë buton kur doni ta vini produktin në punë në shpejtësinë 2.

3. Shtypni këtë buton kur doni ta vini produktin në punë në shpejtësinë 3.

4. Shtypni këtë buton kur doni të ndizni dritat e pajisjes.

Zgjedhja e shpejtësisë

Pajisja ka ventilim me 3 nivele. Një nga nivelet, i ulët-mesatar-i lartë zgjidhet sipas gatimit dhe avujve. Filloni duke shtypur butonat e kontrollit të motorit në panelin përpara. Modelet me kontroll elektronik kanë një kohëmatës automatik.

Kohëmatësi

Nëse shtypni ndonjë prej butonave të nisjes së motorit për më shumë se 2 sekonda, do të aktivizohet një funksion kohëmatësi për një kohëzgjatje prej 15 minutash. Ekran i do të nxjerrë një sinjal kur të fillojë kohëmatësi dhe motori do të fiket automatikisht pas 15 minutash.

Pastrimi i filtrit metalik:

Filtrat duhet të pastrohen kur sinjali "C" shfaqet në ekran ose (në varësi të përdorimit) pas 2-3 javësh. Kur filtrat pastrohen dhe montohen në vendet e tyre, shtypni butonin për më shumë se 3 sekonda për të fshirë shenjën "C" (kur produkti është joaktiv). Shkronja "E" shfaqet në ekran dhe njësia do të fillojë të funksionojë normalisht. Nëse doni të vazhdoni përdorimin pa fshirë sinjalin "C", kur shtypni butonin, punimi aktiv do të vërehet për 1 sek. dhe sinjali "C" do të shfaqet përsëri dhe motori do të vazhdojë të punojë.

8 Operimi dhe përdorimi



PARALAJMËRIM: Shenja "C" do të shfaqet në fund të periudhës 60-orëshe.



Shenja "C" do të shfaqet në fund të ciklit të përdorimit prej 60 orësh.

5 Ekran i dixhital i shpejtësive



PARALAJMËRIM: Shenja "C" do të shfaqet në fund të periudhës së përdorimit të pajisjes prej 60 orësh.



NDEZUR / FIKUR: Pajisja do të fillojë të punojë kur shtypet butoni.



Shpejtësi e ulët: Shpejtësia do të ulet nëse shtypet ky buton.



Shpejtësi e lartë: Shpejtësia do të rritet nëse shtypet ky buton.





Kohëmatësi: Kur shtypet butoni, aktivizohet një funksion kohëmatës për 15 minuta dhe, pasi fillon kohëmatësi, ekrani jep një sinjal dhe motori ndalon automatikisht pas 15 minutash.



Llamba: Do të ndizet llamba kur shtypet butoni. Shtypni këtë buton përsëri për të fikur llambën.

Periudhat e pastrimit të filtrit:

Filtrat duhet të pastrohen kur shenja "C" shfaqet në ekran ose (në varësi të përdorimit) pas 2-3 javësh. Kur filtrat pastrohen dhe montohen në vendet e tyre, shtypni butonin për më shumë se 3 sekonda për të hequr shenjën "C" (kur produkti është pa punë) . Shkronja "E" shfaqet në ekran dhe njësia do të fillojë të funksionojë normalisht. Nëse doni të vazhdoni përdorimin pa fshirë sinjalin "C", shtypja e butonit  do të shikojë punimin aktiv për 1 sek. dhe sinjali "C" do të shfaqet përsëri dhe motori do të vazhdojë të punojë.

Përdorimi efektiv dhe kursimi i energjisë:

- Kur përdorni aspiratorin, rregulloni shpejtësinë e avujve dhe intensitetin e erës për të kursyer energji.
- Përdorni shpejtësi të ulëta (1-2) në kushte normale dhe shpejtësi të larta (3) në kushte me erëra dhe avuj intensivë.
- Për të ndriçuar zonën e gatimit përdoren llamba halogjene. Përdorimi i tyre për ndriçim ambientit do të shkaktojë konsum energjie të panevojshëm dhe ndriçim të pamjaftueshëm.

Përdorimi i produktit:

- Aspiratori juaj ka një motor që ka shpejtësi të ndryshme.

9 Ndërrimi i llambave



RREZIK: Shkëputeni energjinë e aspiratorit të sobës. Prisni që llambat të ftohen pasi ato janë të nxehta dhe mund t'ju djegin duart.

9.1 Ndërrimi i llambës halogjene

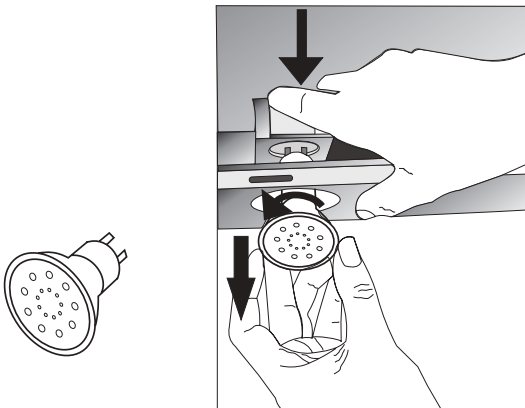


Fig. 13: Ndërrimi i llambës LED

Hiqni mbajtësen e filtrit të aluminit. Hiqni llambën e prishur dhe ndërrojeni me një të re të të njëjtit lloj. Fig. 13

9.2 Ndërrimi i llambës me filament

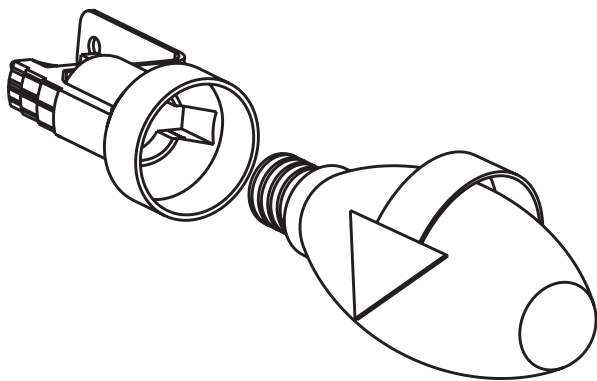
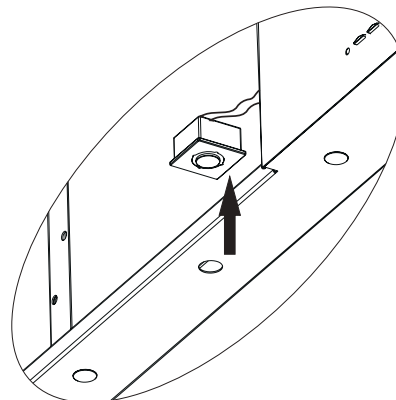


Fig. 14: Ndërrimi i llambës me filament

Hiqni mbajtësen e filtrit të aluminit. Hiqni llambën e prishur dhe ndërrojeni me një të re të të njëjtit lloj. Fig. 14

9.3 Ndërrimi i llambës LED



1W

- Shkëputni lidhjen elektrike të LED-it.
- Shtyjeni llambën me dorë për ta hequr.
- Shkëputeni ngjitësin rrotull llambave të trupit kryesor.
- Para se të vendosni LED, hiqni filmin mbrojtës nga skeleti dhe pastaj vendoseni në trupin e produktit.

10 Zgjidhja e problemeve

Nëse drita nuk punon.

- Kontrolloni që pajisja të jetë e lidhur në prizë dhe që siguresat të mos jenë me defekt.
- Kontrolloni llambat. Sigurohuni që ta shkëputni pajisjen para këtij kontrolli. Shtrëngoni llambat nëse zhvidhosen; mund t'i ndërroni llambat nëse produkti ende nuk punon.

10.1 Defektet e mundshme dhe zgjidhja e tyre para se të thërrisni shërbimin teknik

10.1.1 Nëse pajisja nuk punon:

- Kontrolloni që pajisja të jetë e lidhur në prizë ose që spina të jetë futur mirë.
- Kontrolloni siguresën me të cilën është lidhur pajisja dhe çelësi i shtëpisë.

10.1.2 Nëse pajisja nuk punon mirë ose bën një zhurmë të lartë ndërsa punon:

- A është i përshtatshëm diametri i daljes së pajisjes? (min. 120 mm).
- A janë filtrat të pastër? Kontrolllo.
- Nëse përdorni aspirator pa tub shkarkimi, sigurohuni që filtrat e karbonit të mos jenë më të vjetër se 6 muaj.
- Sigurohuni që kuzhina të jetë e ajrosur mirë për të siguruar qarkullim të mirë të ajrit. Nëse ende nuk jeni të kënaqur me performancën e pajisjes suaj, kontaktoni departamentin e servisit të autorizuar.

10 Zgjidhja e problemeve

10.2 Problemet dhe zgjidhjet e mundshme

Problemi	Shkaku i mundshëm	Veprimi
Pajisja nuk punon.	Kontrolloni lidhjen e kordonit të energjisë	Tensioni i energjisë duhet të jetë 220-240 V dhe produkti duhet të jetë i lidhur në një prizë të tokëzuar
Llamba nuk punon	Kontrolloni lidhjen e kordonit të energjisë	Tensioni i energjisë duhet të jetë 220-240 V dhe produkti duhet të jetë i lidhur në një prizë të tokëzuar
Llamba nuk punon	Kontrolloni lidhjen e kordonit të energjisë	Ëntrerupësorull becului trebuie să fie în poziția „on” (pornit)
Llamba nuk punon	Kontrolloni llambat	Llambat duhet të jenë funksionale
Defekt në thithjen e ajrit	Kontrolloni filtrin e aluminit	Në kushte përdorimi normale, mbajtësja e filtrit të aluminit duhet të pastrohet të paktën njëherë në muaj.
Defekt në thithjen e ajrit	Kontrolloni tubin e shkarkimit të ajrit	Tubi i daljes së ajrit duhet të jetë i hapur
Defekt në thithjen e ajrit	Kontrolloni filtrin e karbonit	Për produktet me bazë karboni, ato duhet të ndërrohen çdo 3 muaj në kushte përdorimi normal
Pajisja nuk nxjerr ajër (përdoreni pa tub shkarkimi)	Kontrolloni filtrin e aluminit	Në kushte përdorimi normale, mbajtësja e filtrit të aluminit duhet të pastrohet të paktën njëherë në muaj
Njësia nuk e shkarkon ajrin (e përdorur pa tub shkarkimi)	Kontrolloni filtrin e karbonit	Për produktet me filtër karboni, duhet të ndërrohet çdo 3 muaj në kushte përdorimi normale

10.3 Grafiku teknik

Tensioni i energjisë	220 - 240 V 50 Hz
Kategoria e izolimit të motorit	F
Kategoria e izolimit	CLASA I



Arçelik A.Ş.
Karaağaç Cad. No: 2-6, Söğütözü, 34445
İstanbul, Türkiye
Made in Turkey

www.beko.com