



# xiaomi S Smart Space Heater User Manual

[Home](#) » [Xiaomi](#) » xiaomi S Smart Space Heater User Manual 

## Contents

- [1 xiaomi S Smart Space Heater](#)
- [2 Safety Instructions](#)
- [3 Product Overview](#)
- [4 Installation](#)
- [5 How to Use](#)
- [6 Connect with Mi Home / Xiaomi Home App](#)
- [7 How to Use the Drying Rack](#)
- [8 Daily Care & Maintenance](#)
- [9 Specifications](#)
- [10 Documents / Resources](#)
  - [10.1 References](#)
- [11 Related Posts](#)



**xiaomi S Smart Space Heater**



## Safety Instructions

Read this manual carefully before use, and retain it for future reference.

- This heater is intended for indoor use only. During use, stably place the heater on a level surface, and do not tilt or tip it over. Make sure the feet are correctly installed before using the heater.
- Please plug the heater into a 230V AC power outlet.
- The used power outlet must be grounded and have a rated current of at least 10 A so as to avoid accidents.
- Do not cover the heater or its power cord so as to avoid overheating.
- Do not touch the heater with wet hands.
- During or right after its use, do not touch the heater so as to avoid getting scalded. To prevent the risk of overheating or fire, never use an extension cord.
- Only use the heater in a well-ventilated environment.
- Do not insert foreign objects into the air inlets and outlets of the heater. Do not insert any wires or other foreign objects into any opening of the heater so as to avoid electric shocks.
- Do not place or use the heater in garages or workshops, nor near gasoline, paint, or other flammable and explosive materials.
- This electric heater is equipped with a drying rack that should only be used for drying laundry.
- Do not place laundry directly onto the heater. Once it is dry, please remove laundry from the drying rack as soon as possible to prevent any damage or danger. Do not use the heater if its power cord or the power plug is damaged or broken. In case any damages occur, it must be replaced with a genuine one from the manufacturer or the after-sales service department to avoid safety hazards.
- Do not use this heater in the immediate surroundings of a bath, a shower or a swimming pool.
- Do not use this heater if it has been dropped.
- Do not use if there are visible signs of damage to the heater.

- Do not place the heater directly in a bathtub or other water container.
- Do not place the heater directly below the socket outlet.
- This is a high-power heating product. Check whether the plug properly fits into the power outlet when using this heater for the first time.
- Checking method: Insert the power plug into the power outlet, then select the highest constant temperature. Turn off and unplug the heater after about 30 minutes to check whether the prongs of the power plug are too hot (temperatures in excess of 55°C). If so, try a different power outlet so as to avoid the risk of a molten power plug or fire due to overheating.
- During using this heater, do not share the same electrical circuit with other devices to avoid overloading the circuit.
- If the heater is not going to be used for an extended period of time, please turn off the on/off switch and unplug the power cord.
- If the heater stops functioning, contact the after-sales service department. Never attempt to disassemble the heater by yourself.
- This appliance can be used by children aged from 8 years and above and persons with reduced physical, sensory or mental capabilities or lack of experience and knowledge if they have been given supervision or instruction concerning use of the appliance in a safe way and understand the hazards involved.
- Children shall not play with the appliance.
- Children of less than 3 years should be kept away unless continuously supervised.
- Children aged from 3 years and less than 8 years shall only switch on/off the appliance provided that it has been placed or installed in its intended normal operating position and they have been given supervision or instruction concerning use of the appliance in a safe way and understand the hazards involved. Children aged from 3 years and less than 8 years shall not plug in, regulate and clean the appliance or perform user maintenance.
- Cleaning and user maintenance shall not be made by children without supervision.

## **CAUTION**

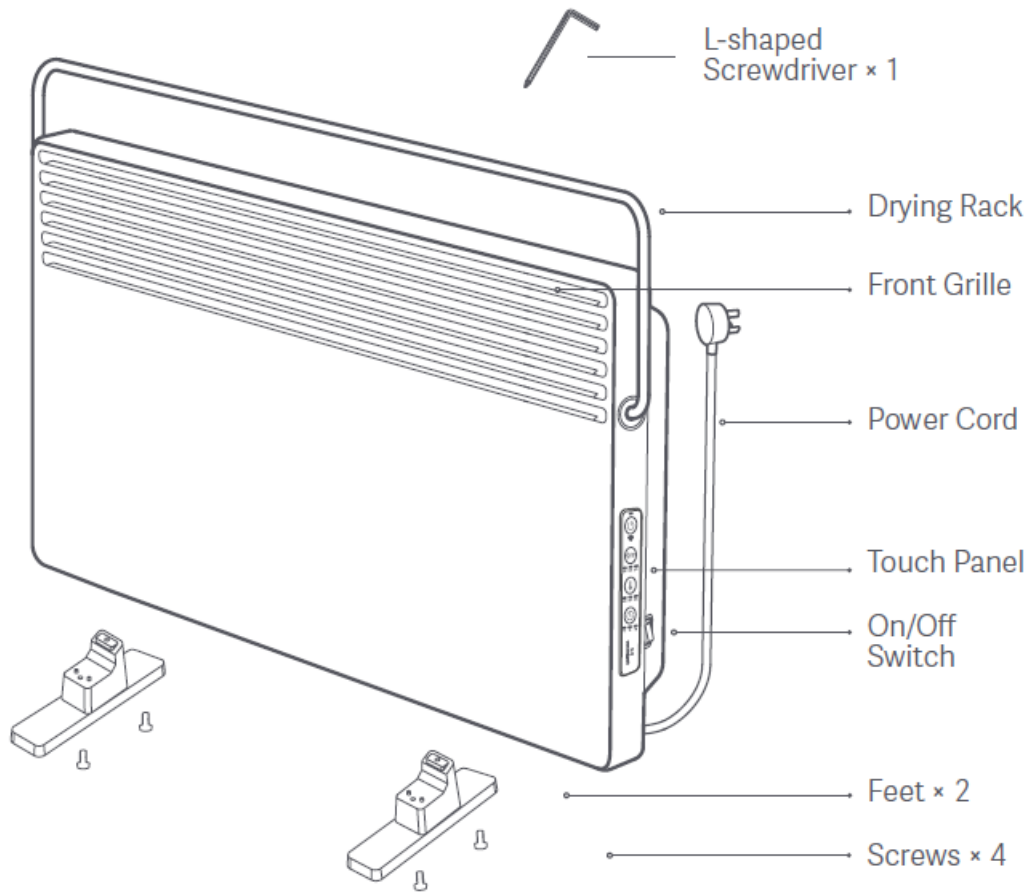
Some parts of this product can become very hot and cause burns.

Particular attention has to be given where children and vulnerable people are present.

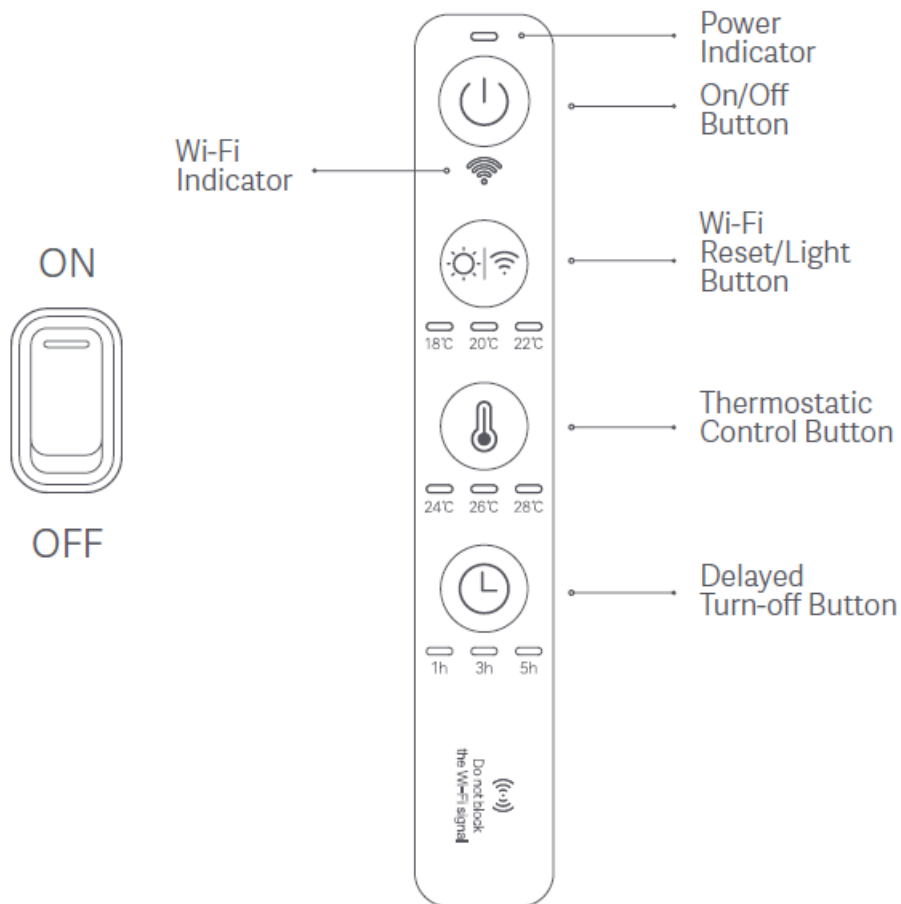
## **Warning**

- Do not immerse the heater in water.  
Do not spill any water into the heater.
- Do not use any detergent to wipe the heater clean.
- In order to avoid overheating, do not cover the heater.
- Do not use this heater in small rooms when they are occupied by persons not capable of leaving the room on their own, unless constant supervision is provided.
- To reduce the risk of fire, keep textiles, curtains, or any other flammable material a minimum distance of 1 m from the air outlet. Be careful of the high temperature. Do not use the drying rack to hang heavy items, nor use it as a handle.

## Product Overview

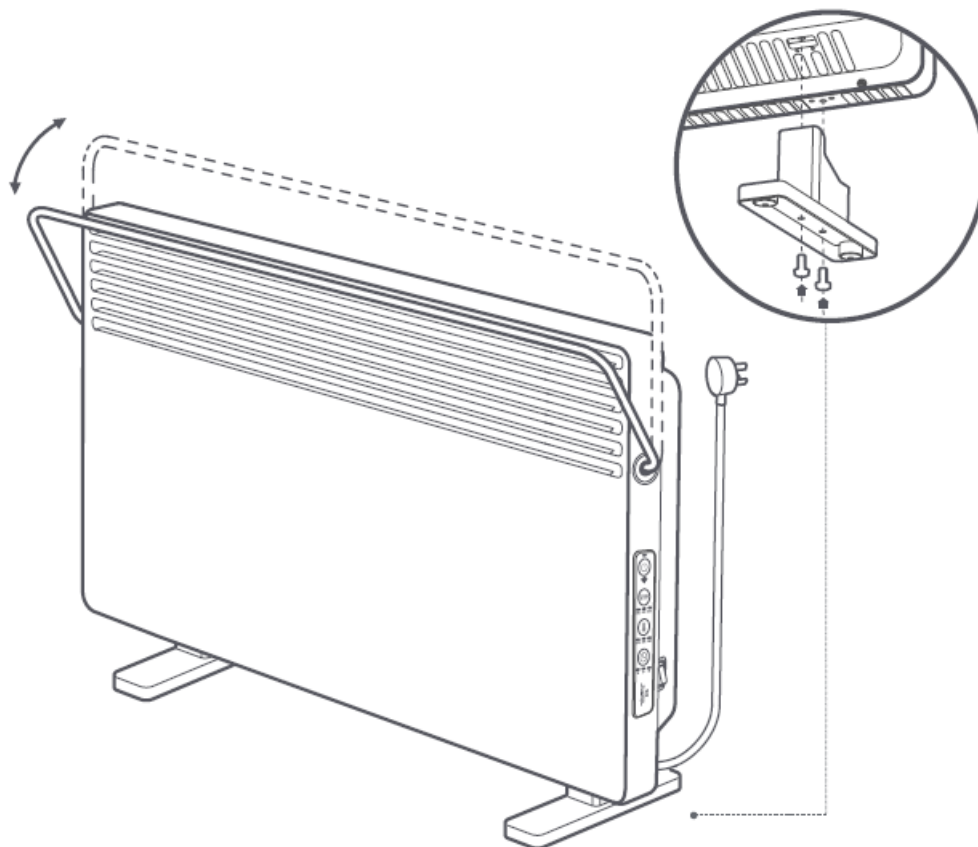


## On/Off Switch & Touch Panel



## Installation

Install the feet with the screws as shown in the figure.  
The maximum rotation angle of the drying rack is 40 degrees.



## How to Use

If the heater is not going to be used for an extended period of time, please turn off the on/off switch and unplug the power cord.

Turning On/Off Turn on the on/off switch and then press the on/off button the heater, press it again to turn it off.

### Enabling/Disabling Light and Resetting Wi-Fi

Press the Wi-Fi reset/light button to enable or disable the light of the touch panel. Press and hold the button to reset the Wi-Fi connection of the heater. Once the Wi-Fi connection is reset successfully, the Wi-Fi indicator will blink and the heater will enter the awaiting connection mode.

Adjusting Temperature

Press the thermostatic control button to select the preferred constant temperature.

Note: Press and hold the thermostatic control button, the heater will continue to heat. Press the button again to stop heating.

### Delayed Turn-off

Press the delayed turn-off button to select: disabled, 1-hour delay, 3-hour delay, 5-hour delay, and 9-hour delay

### Connect with Mi Home / Xiaomi Home App

- This product works with Mi Home / Xiaomi Home app \*. Control your device, and interact it and other smart

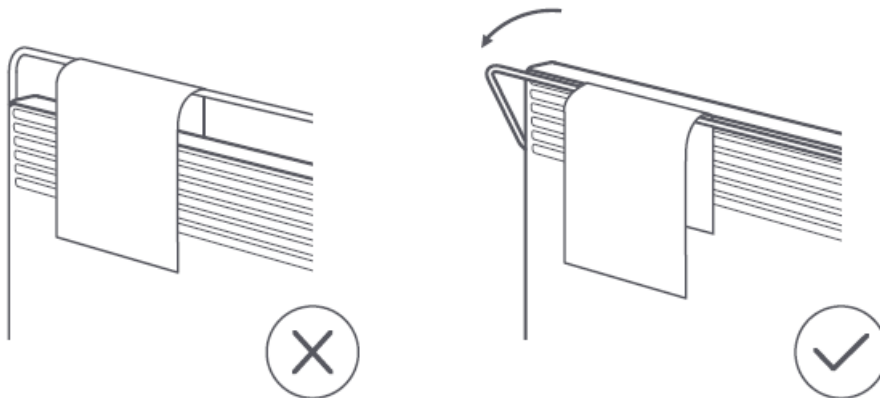
home devices with Mi Home / Xiaomi Home app.

- Scan the QR code to download and install the app. You will be directed to the connection setup page if the app is installed already. Or search “Mi Home / Xiaomi Home” in the app Store to download and install it.
- Open Mi Home / Xiaomi Home app, tap “+” on the upper right, and then follow prompts to add your device.
- The app is referred to as Xiaomi Home app in Europe (except for Russia). The name of the app displayed on your device should be taken as the default.

**Note:** The version of the app might have been updated, please follow the instructions based on the current app version.



## How to Use the Drying Rack



When the drying rack is folded down, it can be used to dry small pieces of clothing, towels, socks, etc. Do not use the rack to dry large down feathers, synthetic fiber, or fur items

**Note:** Place the heater on level ground and do not hang a load of more than 1.5 kg on the drying rack.

## Daily Care & Maintenance

Unplug the heater and let it cool down before your cleaning. Gently wipe the outer surface of the heater with a soft, damp cloth and let it thoroughly dry before its use.

**Note:** Illustrations of product, accessories, and user interface in the user manual are for reference purposes only. Actual product and functions may vary due to product enhancements.

## Specifications

Name	Mi Smart Space Heater S	Rated Power	2200 W
Model	KRDNQ03ZM	Rated Voltage	230 V~
Dimensions	780 × 526 × 216 mm	Rated Frequency	50 Hz
Wireless Connectivity	Wi-Fi IEEE 802.11b/g/n 2.4GHz	IP Code	IPX4
Max RF Output Power		Wi-Fi 2.4GHz (2400 – 2483.5 MHz): <20 dBm	

Under normal use of condition, this equipment should be kept a separation distance of at least 20cm between the antenna and the body of the user

## Regulatory Compliance Information


Europe — EU declaration of conformity

Hereby, Beijing Smartmi Electronic Technology Co., Ltd. declares that the radio equipment type KRDNQ03ZM is in compliance with Directive 2014/53/EU. The full text of the EU declaration of conformity is available at the following internet address: <http://www.mi.com/global/service/support/declaration.html>

## Disposal and recycling information

All products bearing this symbol are waste electrical and electronic equipment (WEEE as in directive 2012/19/EU) which should not be mixed with unsorted household waste. Instead, you should protect human health and the environment by handing over your waste equipment to a designated collection point for the recycling of waste electrical and electronic equipment, appointed by the government or local authorities. Correct disposal and recycling will help prevent potential negative consequences to the environment and human health. Please contact the installer or local authorities for more information about the location as well as terms and conditions of such collection points.

## Documents / Resources

	<p><a href="#">xiaomi S Smart Space Heater</a> [pdf] User Manual S Smart Space Heater, Smart Space Heater, Space Heater, Heater</p>
---	---

## References

-  [Mi United States](#)