



PETKIT Airsalon Max Pet Dryer Box User Manual

[Home](#) » [PETKIT](#) » [PETKIT Airsalon Max Pet Dryer Box User Manual](#) 

PETKIT Airsalon Max Pet Dryer Box User Manual

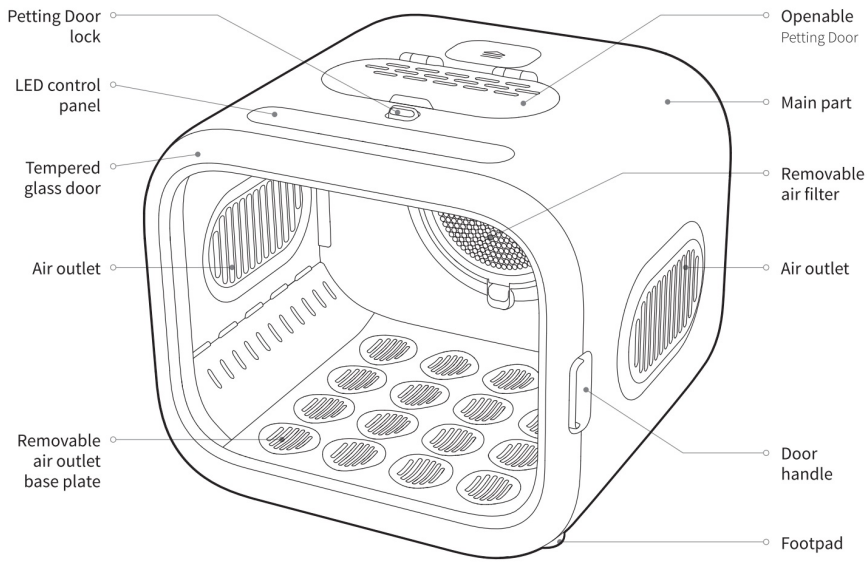


Contents

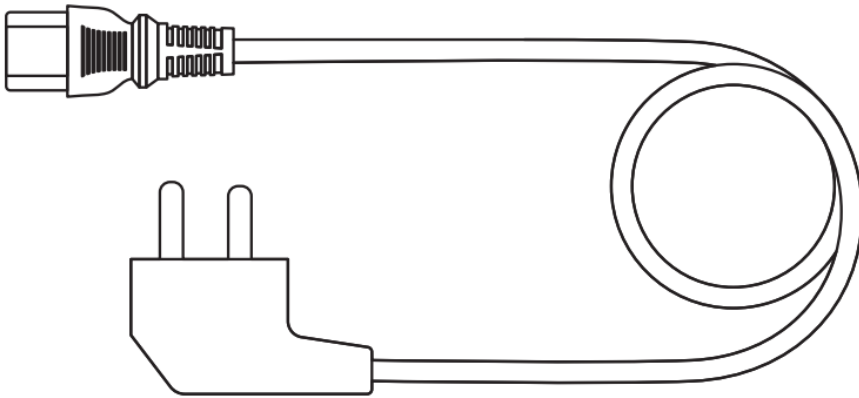
- [1 PRODUCT DESCRIPTION](#)
- [2 SET-UP](#)
- [3 MAINTENANCE AND CLEANING](#)
- [4 LED CONTROL PANEL](#)
- [5 BASIC SPECIFICATIONS](#)
- [6 A MESSAGE TO OUR VALUED CUSTOMERS](#)
- [7 USER SAFETY GUIDE](#)
- [8 Disposal](#)
- [9 FCC warning](#)
- [10 Documents / Resources](#)
- [11 Related Posts](#)

PRODUCT DESCRIPTION

Front View

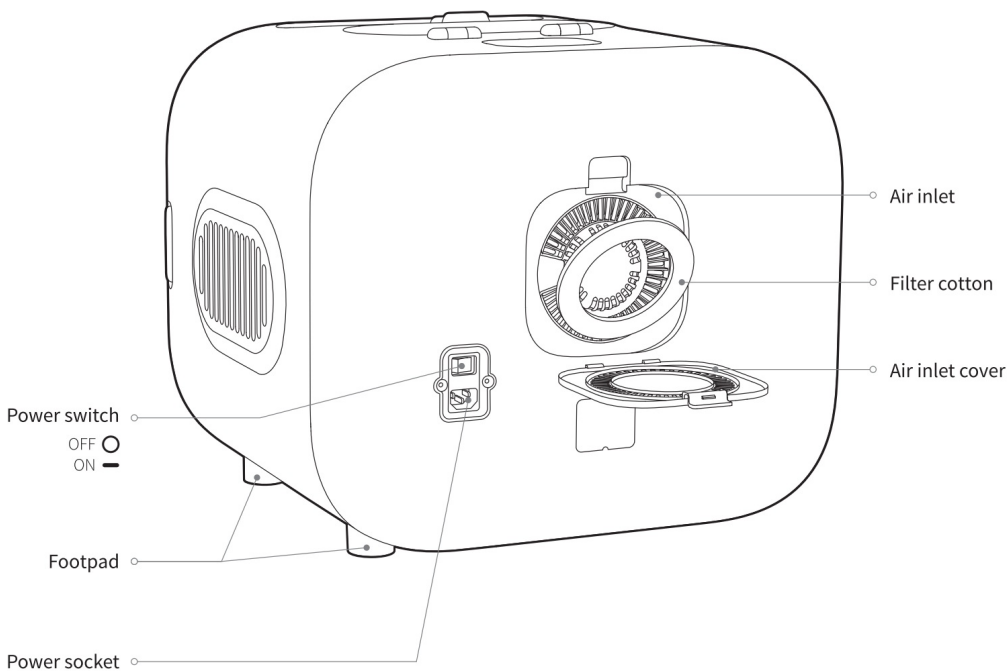


Power cord *1



***Note:** In order to provide a better user experience, we will be implementing periodic product enhancements. Product images shown for illustration purpose only. Actual product may vary from the image shown. For any discrepancies, please refer to the actual product.

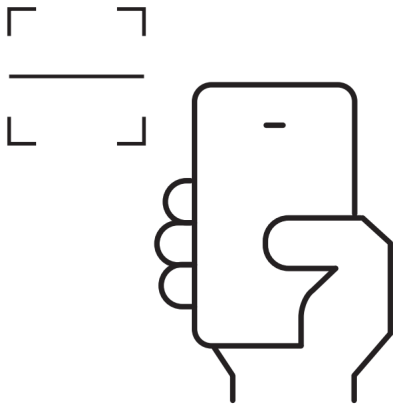
Back View



SET-UP

For the safety of your pets, the new AIRSALON MAX is not activated, the LED screen will flash after powering on. You must download "PETKIT" App to complete the safety operation instructions and activate the product. After the activation, please use AIRSALON MAX according to the instructions of the product.

Scan QR code and download the PETKIT App for further assistance



Scan the QR Code to watch a video on How to Set Up AIRSALON MAX.

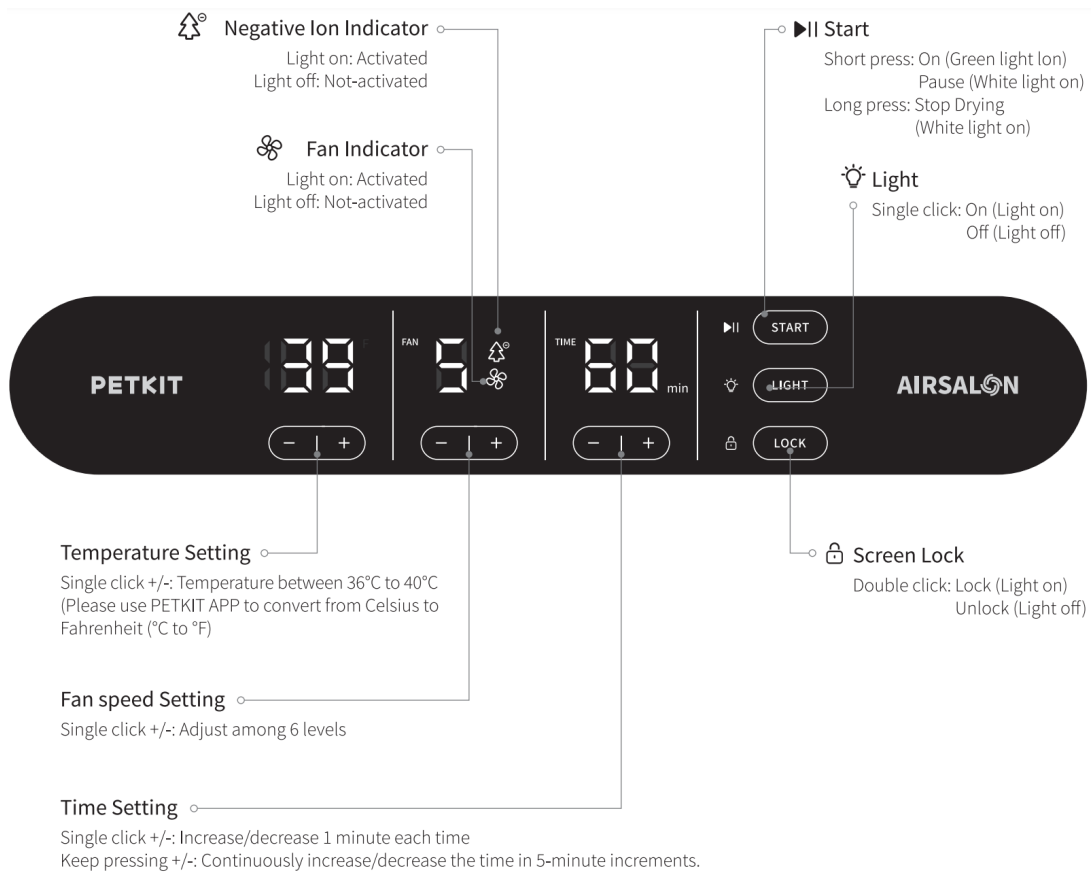


MAINTENANCE AND CLEANING

Scan the QR Code to watch a video on How to Clean AIRSALON MAX.



LED CONTROL PANEL



BASIC SPECIFICATIONS

| | |
|----------------------|---|
| Product name | PETKIT AIRSALON MAX |
| Product model | PD10 |
| Product size | 500 *473 *447mm |
| Scope of application | cats and small dogs aged 6 months and above |
| Product material | ABS, Tempered Glass |
| Product weight | about 9.7kg |
| Wireless connection | Bluetooth |
| Rated voltage | 100-130V– |
| Rated power | 700W |
| Product weight | about 9.7kg |

A MESSAGE TO OUR VALUED CUSTOMERS

Thank you for purchasing PETKIT AIRSALON MAX Smart Pet Dryer. We at PETKIT have done our best to make life easier for you and your pets with technology.

- Please carefully read the User Manual before using the product. By setting up and using this product, you are acknowledged that you have already read and accepted the safety guidelines listed below.
- We are not liable and will not accept responsibility for any accidents or injuries that result from improper use of this product.
- PETKIT reserves the rights of interpretation and revision.

USER SAFETY GUIDE

* Failure to follow the safety guides outlined below can result in product malfunction or other unforeseen mishaps.

- Pet owner must be present when the pet is using this product.
- This equipment is strictly for indoor use in a dry environment. Do not use it on wet ground.
- After each drying, please clean the hair in the dryer and the air inlet immediately, and power off when cleaning.
- Do not place towels, mats and other items in the equipment to avoid blocking the air outlet and causing abnormal temperature or fan speed.
- Please place the equipment on a hard and flat horizontal surface, and do not place it on a soft and uneven object to prevent the equipment from falling.
- This equipment is only applicable to pet cats and small dogs 6 months old and above.
- Minors are prohibited from using this device.
- If the pet has special circumstances caused by its own reasons, such as being too old, having difficulty moving, suffering from physiological diseases, etc., please consult a professional veterinarian and use this equipment under guidance.
- In case of abnormal heating or abnormal internal noise of the equipment, please do not disassemble the equipment without permission. Be sure to repair it under the guidance of professional personnel to avoid various accidental injury.

- When using this device, if the pet feels uncomfortable, it can be comforted by pushing the Cat Patting Window on the top or adjust the wind force to reduce irritation. If the pet still feels uncomfortable, please stop use immediately.
- When the pet stays in the equipment, do not move the equipment to prevent the pet from falling.
- Although the device is in low voltage mode, please use it correctly in order to avoid electricity leakage caused by pets biting wires.
- For prolonged storage, please switch off the power first and then unplug the power cord.
- Please do not place it in direct sunlight and keep it away from ignition sources.
- Do not soak this product in water.
- It is prohibited to stack articles on the top of the equipment to prevent affecting the normal operation.
- Please use the produced power cord, otherwise it will damage the equipment or cause potential safety hazards.
- Please reserve 10cm space when placing the equipment beside the wall.
- If you encounter any problems while using this product, please contact us immediately.

Disposal

Disposal

The European directive 2012 / 19 / CE on Waste Electrical and Electronic Equipment (WEEE), requires that old household electrical appliances must not be disposed in the normal unsorted municipal waste stream. Old appliances must be collected separately in order to optimize the recovery and recycling of the materials they contain and reduce the impact on human health and the environment. The crossed out “wheeled bin” symbol on the product reminds you of your obligation, that when you dispose of the appliance it must be separately collected. Consumers should contact their local authority or retailer for information concerning the correct disposal of their old appliance.

This device complies with part 15 of the FCC Rules. Operation is subject to the following two conditions: (1) This device may not cause harmful interference, and ; (2) this device must accept any interference received, including interference that may cause undesired operation.

FCC warning

Any Changes or modifications not expressly approved by the party responsible for compliance could void the user’s authority to operate the equipment.

Note: This equipment has been tested and found to comply with the limits for a Class B digital device, pursuant to part 15 of the FCC Rules. These limits are designed to provide reasonable protection against harmful interference in a residential installation. This equipment generates uses and can radiate radio frequency energy and, if not installed and used in accordance with the instructions, may cause harmful interference to radio communications. However, there is no guarantee that interference will not occur in a particular installation. If this equipment does cause harmful interference to radio or television reception, which can be determined by turning the equipment off and on, the user is encouraged to try to correct the interference by one or more of the following measures:

- Reorient or relocate the receiving antenna.
- Increase the separation between the equipment and receiver.
- Connect the equipment into an outlet on a circuit different from that to which the receiver is connected.
- Consult the dealer or an experienced radio/TV technician for help.

The device has been evaluated to meet general RF exposure requirement.

This equipment complies with FCC radiation exposure limits set forth for an uncontrolled environment. This equipment should be installed and operated with minimum distance 20cm between the radiator & your body.

IC warning

This device complies with Industry Canada licence-exempt RSS standard(s). Operation is subject to the following two conditions: (1) This device may not cause interference, and (2) This device must accept any interference, including interference that may cause undesired operation of the device.

Documents / Resources

| | |
|--|--|
| | PETKIT Airsalon Max Pet Dryer Box [pdf] User Manual Airsalon Max Pet Dryer Box, Airsalon Max, Pet Dryer Box, Dryer Box, Box |
|--|--|

[Manuals+](#)