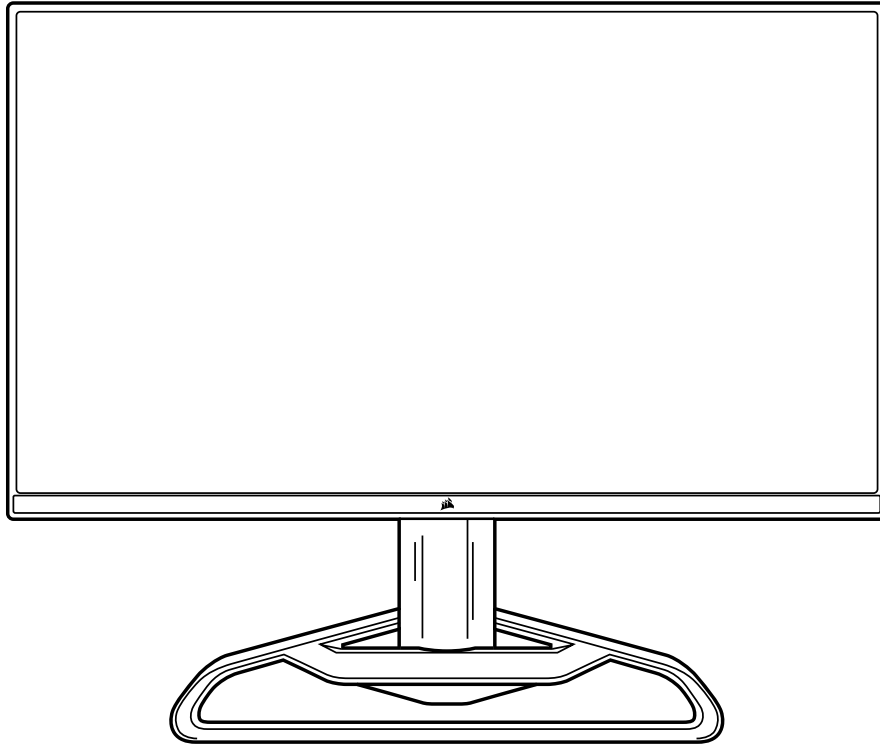




CORSAIR



XENEON 32QHD165

EN ENGLISH

IT ITALIANO

RU РУССКИЙ

FR FRANÇAIS

ES ESPAÑOL

JA 日本語

DE DEUTSCH

PT PORTUGUÊS

KO 한국어

SC 简体中文



TABLE OF CONTENTS

Precautions	2
Package Contents	3
Assembly	4
Tilt, Swivel and Height Adjustment	5
Cable Management, Camera Mount (optional) & Other Mounting options	6
Connectivity	9
Operation	10
Controls	10
On-Screen Display (OSD)	10
OSD – Picture Settings	11
OSD – OSD Setting	13
OSD – System Setting	14
OSD – Audio	16
OSD – Input Select	17
OSD – Information	18
Frequently Asked Questions / Troubleshooting	19
Specifications	22
Technical Specifications	22
Supported Display Modes	23
Default Picture Preset Values	24

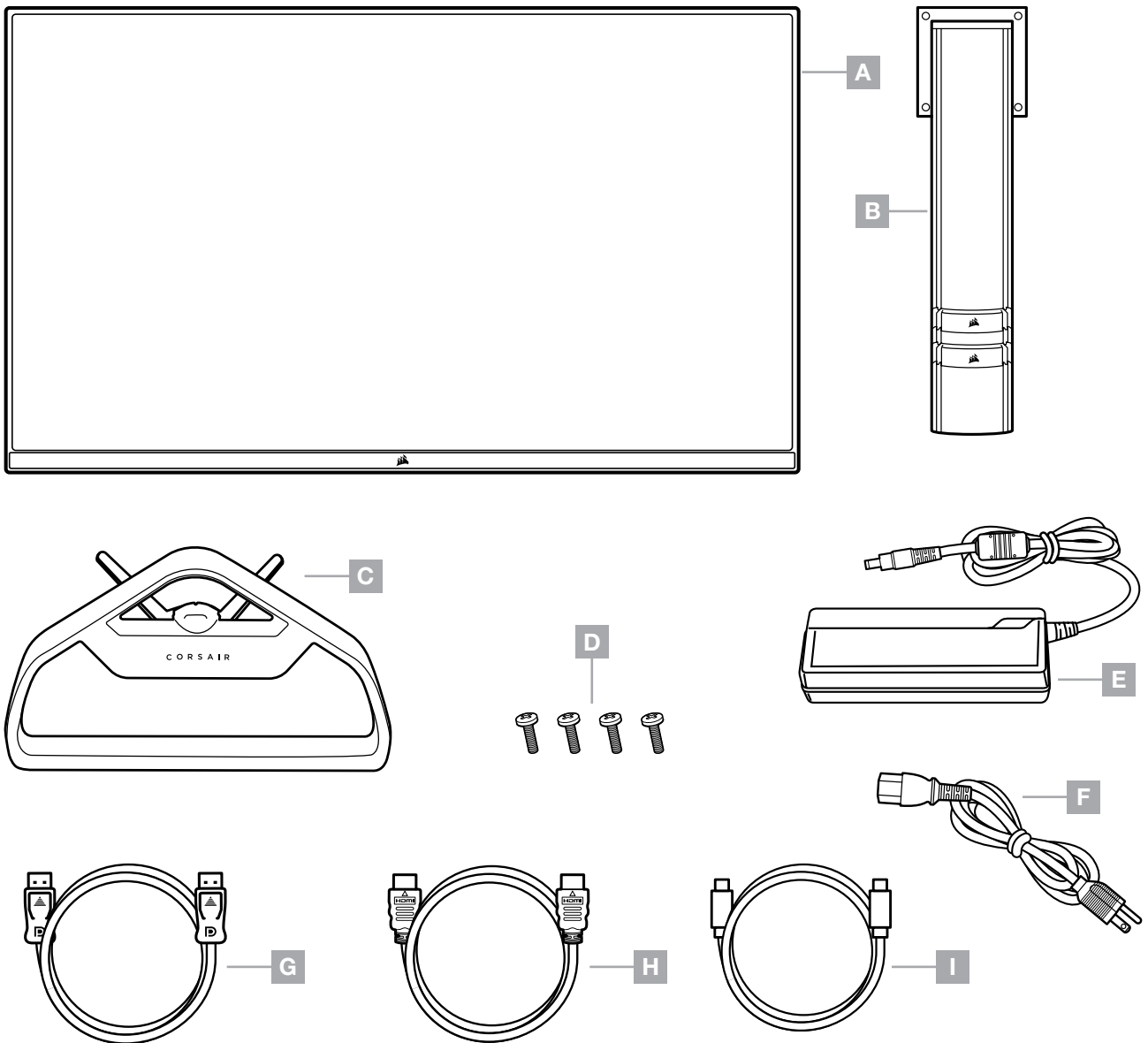


Scan QR code for Quickstart
guide and setup videos

PRECAUTIONS

- Only use the accessories that are provided with the monitor or that which are recommended by the manufacturer.
- Keep the plastic packaging bag for the product in a place that cannot be reached by children.
- Before connecting the monitor to the power outlet, make sure that the voltage rating of the power cable is compatible with the power specification in the country where you are located.
- The power cord plug must be connected to a properly wired and grounded power outlet.
- Do not touch the plug with wet hands, otherwise can easily cause electric shock.
- Place the monitor in a stable and well-ventilated place.
- Do not place the monitor near any heat sources such as electric radiators or direct sunlight.
- The holes or openings on the monitor are for ventilation. Do not cover or block the ventilation holes with any objects.
- Do not use the monitor near water, drinks, or any type of liquids. Failure to do so may result in electric shock or damage to the monitor.
- Make sure to unplug the monitor from the power outlet before cleaning.
- As the screen surface can be easily scratched, avoid touching the surface with any hard or sharp object. Use a soft lint-free cloth instead of a tissue to wipe the screen. You may use a glass cleaner to clean the equipment if required. However, never spray the cleaner directly onto the screen.
- Disconnect the power cable if the equipment is not being used for a long period of time.
- Do not attempt to disassemble or repair the monitor yourself.

XENEON 32QHD165 DISPLAY CONTENTS



A – XENEON 32QHD165 DISPLAY PANEL

B – MOUNTING POST

C – STAND

D – MOUNTING SCREWS (X4)

E – AC ADAPTER

F – AC POWER CABLE

G – DISPLAYPORT CABLE (1.5M)

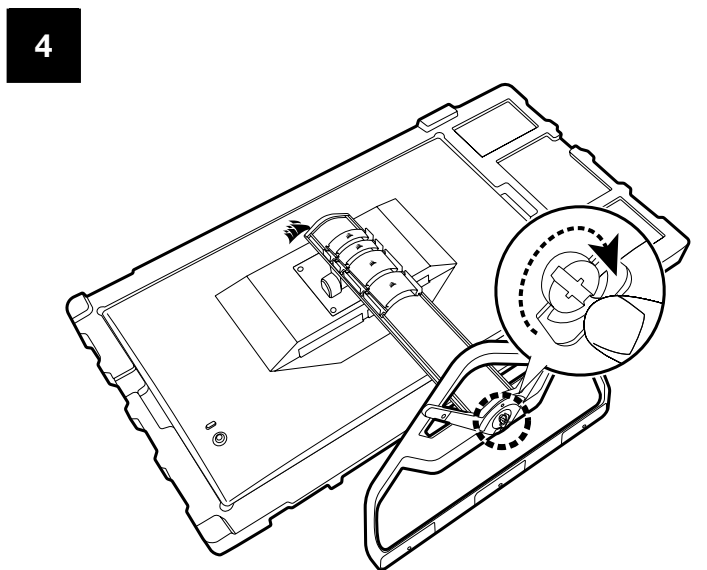
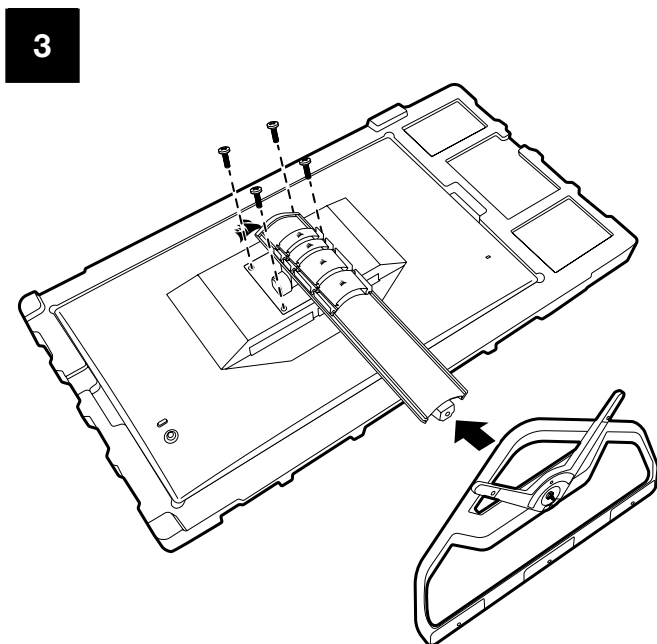
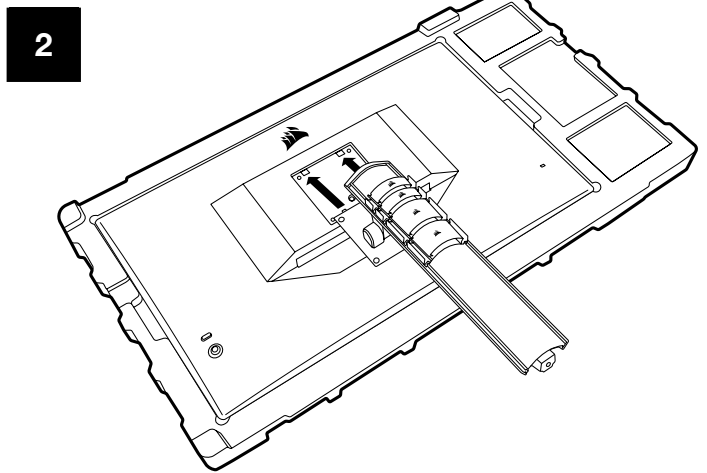
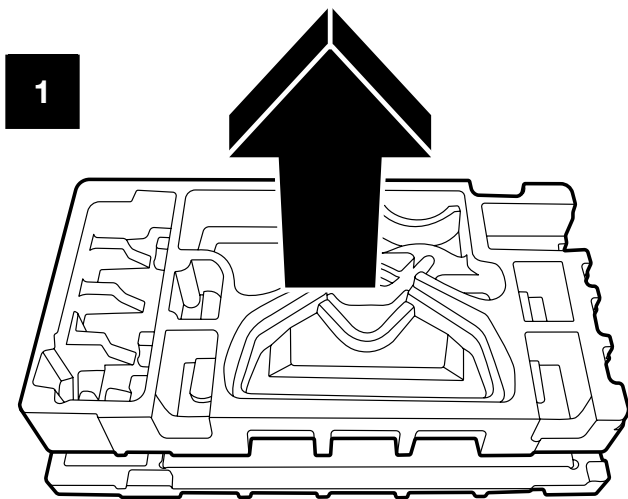
H – HDMI CABLE (1.5M)

I – USB-C CABLE (1.5M)

ASSEMBLY

Before you begin, you will need a Phillips head screwdriver.

1. Remove top layer of foam (see image 1) that includes accessories and stand to expose rear of panel.
2. Carefully open up the foam bag covering the panel to expose the mounting area. Do not remove the panel from the bag
3. Align the monitor post with the mounting slots on the back of the panel (see image 2). Slide the upper hooks into the mounting slots on the rear of the panel. Using a Phillips screwdriver, secure the post to the panel with the 4 screws.
4. Attach the stand base to the monitor post (see image 3) and tighten the captive thumbscrew into the bottom of the post (see image 4).
5. Slowly remove the monitor from the packaging and sit upright on your desk. Do not touch the front of the panel while lifting the monitor.



TILT, SWIVEL AND HEIGHT ADJUSTMENT

Your Xeneon display features a sturdy and stylish stand that offers Tilt, Swivel and Height Adjustment

- Tilt -5 / +20 degrees
- Swivel \pm 30 degrees
- Height Adjust Range 110mm (497mm ~ 607mm)

Tilt



Swivel & Height Adjustment

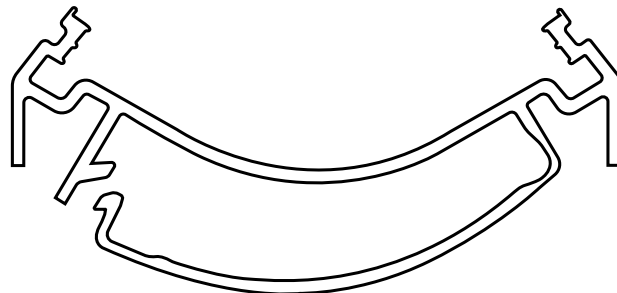


CABLE MANAGEMENT, CAMERA MOUNT (OPTIONAL) & OTHER MOUNTING OPTIONS



Your Xeneon display has built-in RapidRoute cable management to keep your desktop tidy. There are 4 adjustable cable clips that slide up and down the monitor post to allow for customizing your cable management needs. Open each cable clip by pressing the thumb clasp to the left and pulling out on the cable clip.

If you need to remove the cable clips, remove the base from the post by sliding the cable clips down and out of the channel guides.



ELGATO FLEX ARM COMPATIBILITY

The top of the Xeneon display post features a ¼" connector to allow for the addition of the Elgato Flex Arm and Camera Mounting Adapter Kit (sold separately) to attach a camera to the top of your Xeneon display. These accessories are available to be purchased directly from Corsair.

- Xeneon Camera Adapter & Ball Mount Kit (CM-8900001)
- Elgato Flex Arm-S (10AAH9901) or Flex Arm-L (10AAC9901)

A division of CORSAIR



Setup video and instructions for Camera Mount is available at <https://www.corsair.com/xeneon-quickstart>



FLEX ARM S



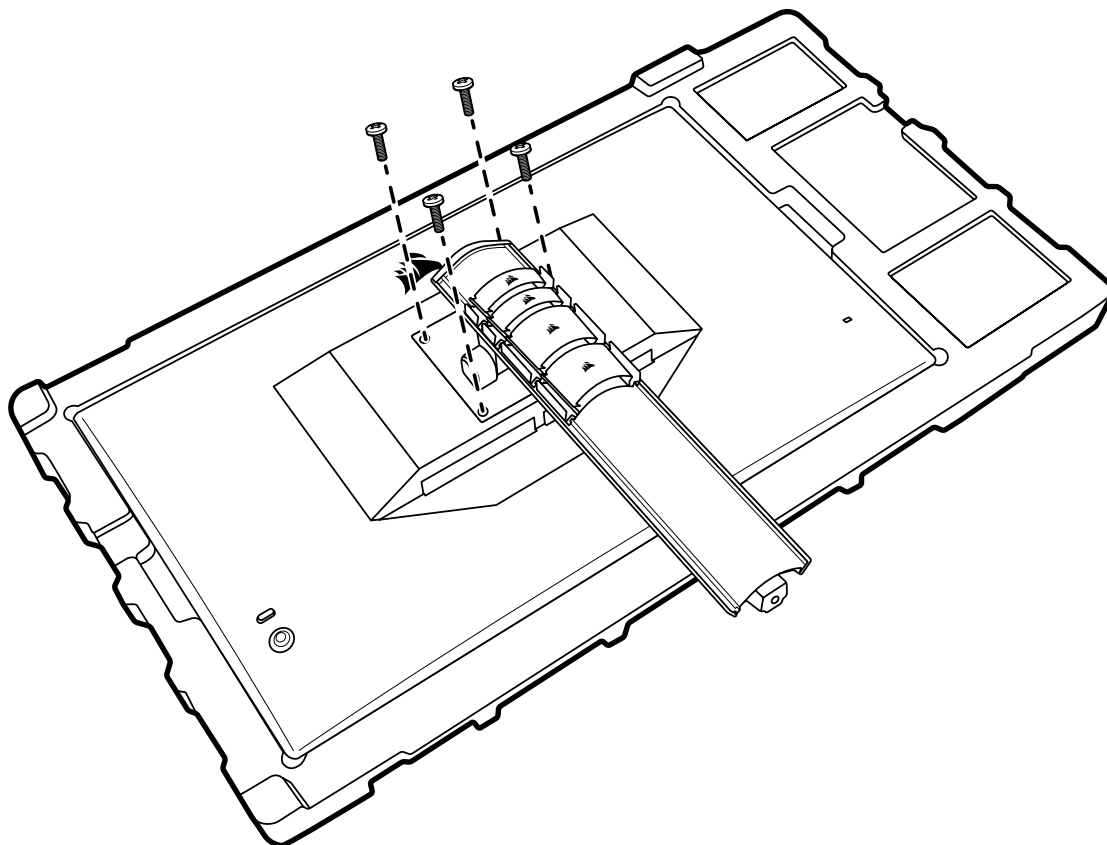
FLEX ARM L



WALL MOUNT COMPATIBILITY

Before mounting your display with compatible wall mount (VESA 100mm x 100mm), make sure that:

- You have removed the stand from the display with a Phillips screwdriver
- The wall mount bracket that you purchased supports the weight of this display

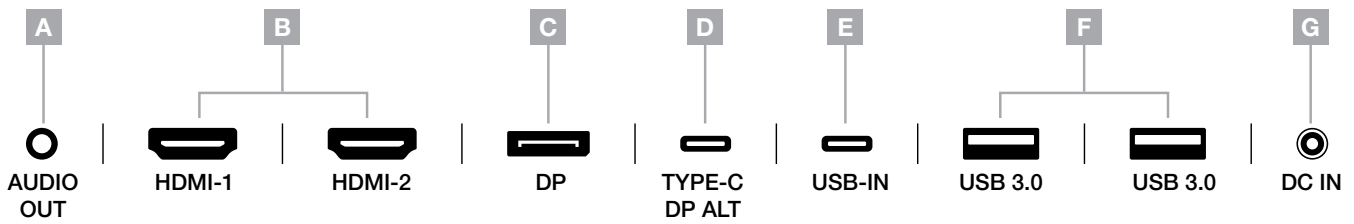


Review the instructions that came with your wall mount for more information about how to correctly mount your display.

WARNING: Your display has four VESA mounting holes on the back. You must secure a wall mount bracket to all four holes. If you do not use all four holes, your display may fall and cause property damage or personal injury.

Note: Wall-mount screws are not included. Screws: type M4, 10mm to 12mm length depending on wall mount

CONNECTIVITY



A. 3.5mm Audio Jack

Audio output from connected HDMI, DisplayPort, and USB-C Alt Mode devices.

B. HDMI 2.0 Ports

Dual HDMI inputs correspond to “HDMI-1” and “HDMI-2” inputs.

C. DisplayPort 1.4 Port

DisplayPort input corresponds to “DisplayPort” input.

D. USB Type-C Port

Supports DisplayPort Alt Mode and upstream USB input (connects to USB 3.0 ports). Corresponds to “TYPE-C” input. This port or the USB Upstream Port must be connected to a USB-capable port on your host device to support CORSAIR iCUE functionality and downstream USB 3.0 ports.

E. USB-IN Port

Upstream USB input port. This port or the USB Type-C Port must be connected to a USB-capable port on your host device to support CORSAIR iCUE functionality and downstream USB 3.0 ports.

F. USB 3.0 Ports

Dual Type-A 5Gbps USB ports.

G. DC In

Connects to included AC adapter.

OPERATION

Controls

 — POWER ON/OFF

 — PRESS — Open Display Settings

UP — Open Brightness Slider
DOWN — Open Picture Mode Select
LEFT — Open Volume Slider
RIGHT — Open Input Source Select



Your monitor includes a joystick on the rear, right facing side for opening shortcuts and navigating display settings. Note that many of these settings can also be controlled in CORSAIR iCUE software if you have the USB hub connected to your computer via USB IN port. Please install the latest version of iCUE (4.16 or later) available at <https://www.corsair.com/us/en/icue>.

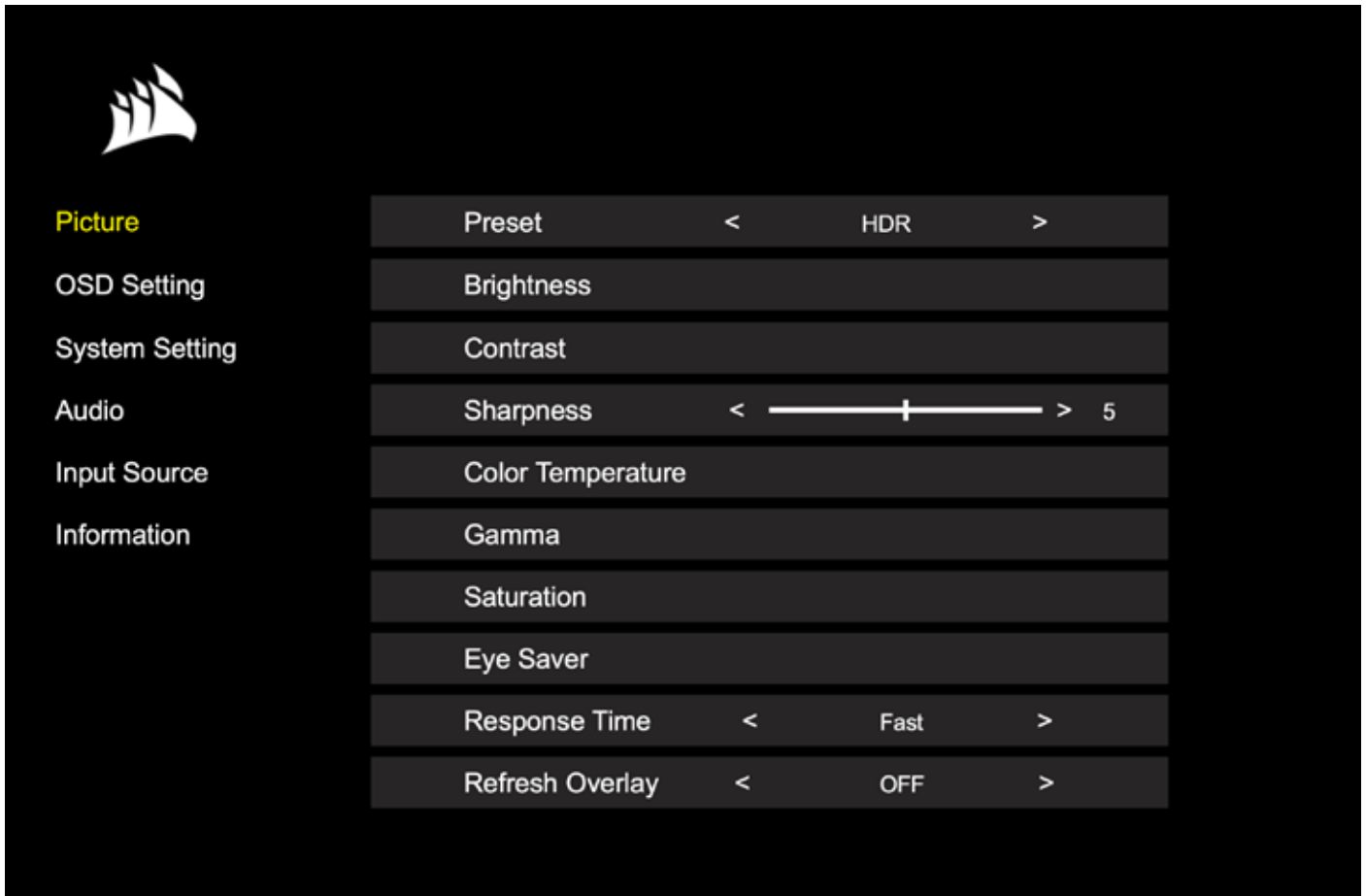
On-Screen Display (OSD)

By pressing the joystick inward, you can access your monitor's display settings. You can use the joystick to navigate the settings and pressing the joystick inward will confirm your selection.

OPERATION

OSD – Picture Settings

The first menu, labeled “Picture”, contains the following settings for adjusting the overall picture quality.



OPERATION

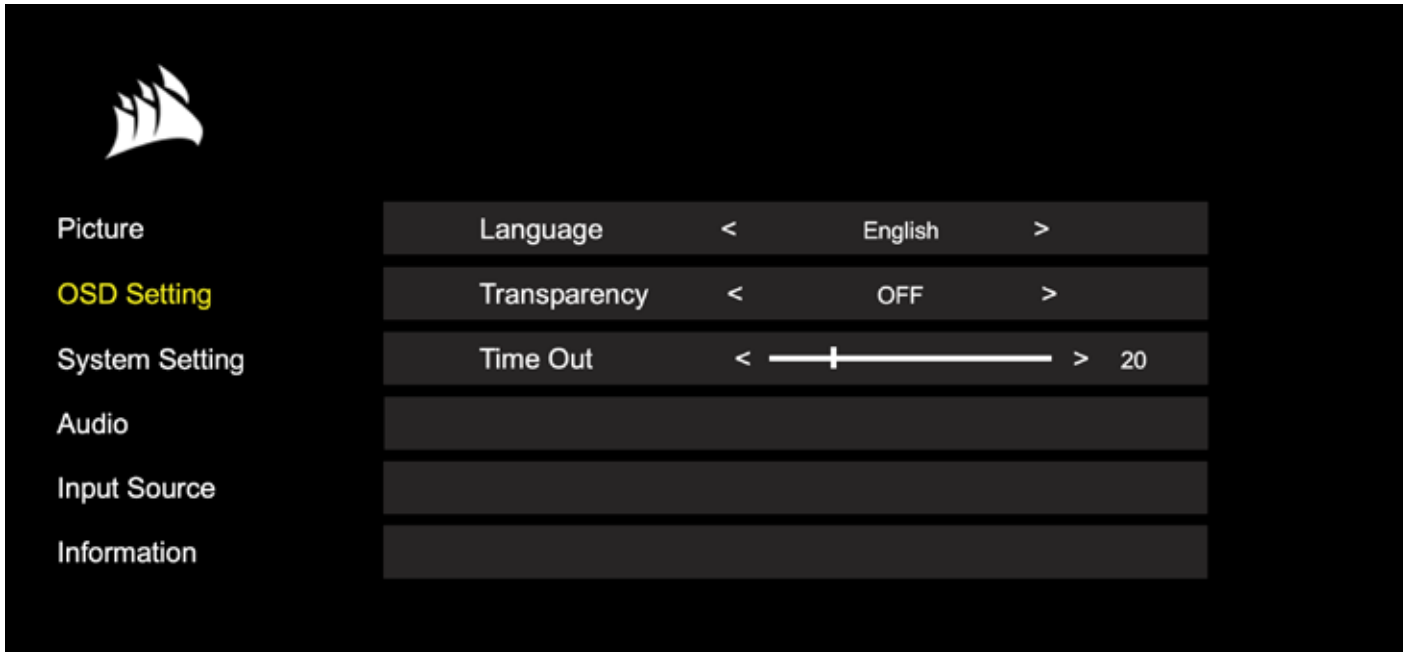
OSD – Picture Settings

Setting	Options	Description
Picture Mode	Standard	Selects a display preset factory calibrated for general use and best power savings.
	Movie	Selects a display preset optimized for watching movies.
	Text	Selects a display preset optimized for reading text.
	sRGB	Selects a display preset factory calibrated to the sRGB color space.
	Creative	Selects a display preset factory calibrated for content creation tasks.
	Game	Selects a display preset optimized for playing fast moving games.
	HDR	Selects a display preset that is VESA DisplayHDR400 certified.
Brightness	0-100	Adjusts the intensity of the display backlight.
Contrast	0-100	Adjusts the display's contrast.
Sharpness	0-5	Adjusts the display's sharpening filter, increasing edge detail.
Color Temperature	Cool	Sets the display's color temperature to 9300K.
	Normal	Sets the display's color temperature to standard 6500K.
	Warm	Sets the display's color temperature to 5000K.
	Custom	Allows you to manually set the display's color temperature with sliders controlling the red, blue, and green levels.
Gamma	2.0, 2.2, 2.4	Adjusts the relationship between color and brightness; default is 2.2.
Saturation	0-10	Adjusts the intensity of the display's colors.
Eye Saver	ON or OFF	Reduces blue light emissions of display when enabled.
Response Time	Normal, Fast, Fastest	Lets you increase how fast pixels can transition between colors, which can reduce blurring of fast moving objects.
Refresh Overlay	ON or OFF	Toggles an overlay in the top right corner which displays the monitor's current refresh rate, useful for tracking frames per second when Adaptive Sync is enabled.
MPRT	ON or OFF	Toggles the "Moving Picture Response Time" setting, which can reduce blurring of moving objects when set to "On."

OPERATION

OSD – OSD SETTING

The second menu, labeled “OSD Setting”, contains the following settings for adjusting the on-screen display.

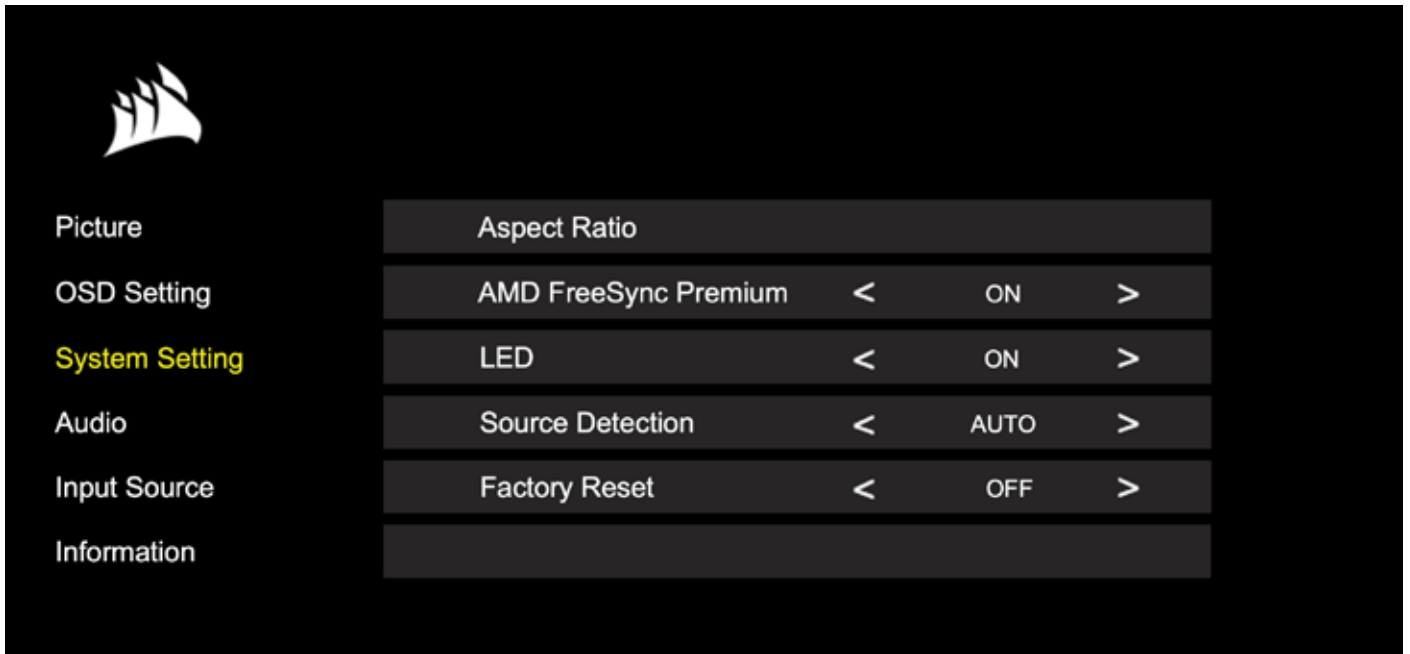


Setting	Options	Description
Language	English French German Italian Spanish Japanese Korean Portuguese Russian Chinese (Traditional)	Selects the OSD's language.
Transparency	ON or OFF	Sets the OSD to be transparent or opaque.
Time Out	10-60	Adjusts how long (in seconds) the OSD stays on screen before disappearing.

OPERATION

OSD – System Setting

The third menu, labeled “System Setting”, contains the following settings for adjusting the display’s internal settings.



OPERATION

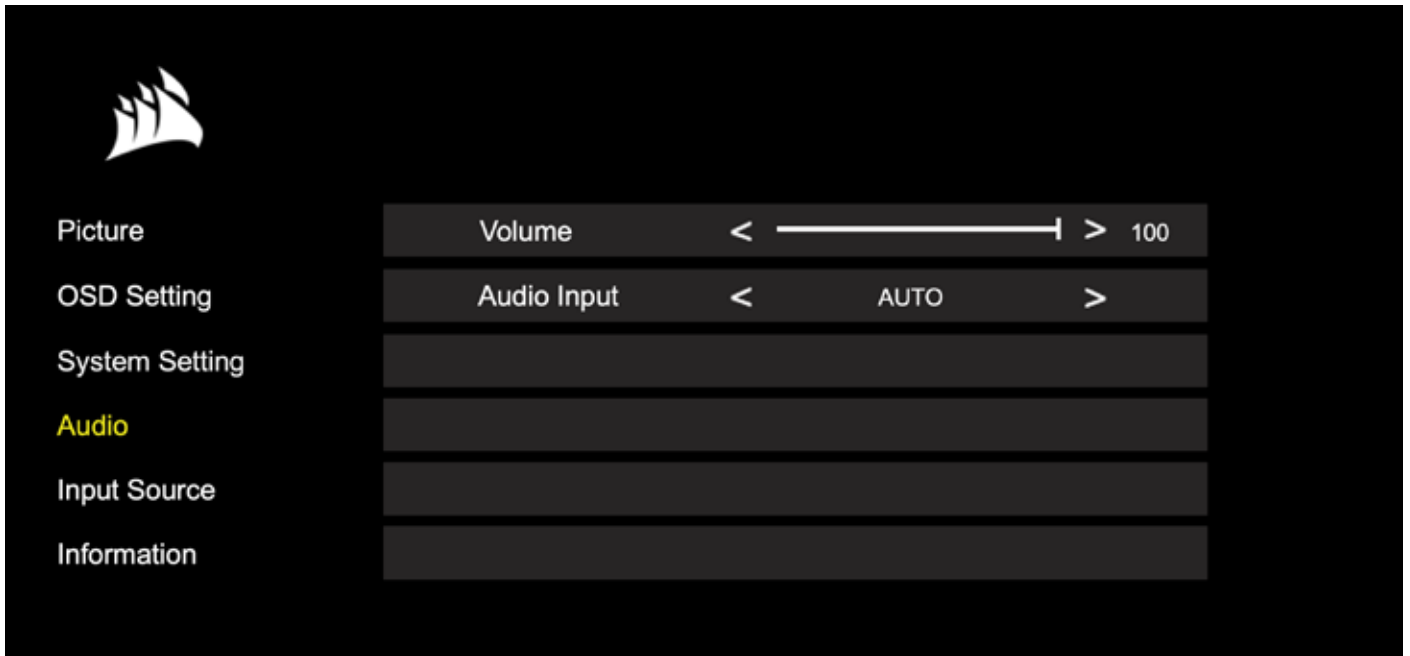
OSD – System Setting

Setting	Options	Description
Aspect Ratio	Auto, 4:3, 16:9	Selects the display's aspect ratio. "Auto" will try to match the display's aspect ratio to the incoming video signal. Not available with Adaptive Sync enabled.
AMD FreeSync Premium	ON or OFF	<p>Enables or disables the adaptive sync functionality when connected to a compatible GPU. Select ON to enable Adaptive Sync for AMD FreeSync via HDMI.</p> <p>NVIDIA G-Sync compatibility is available when connected via DP cable or USB Type-C Alt Mode cable to compatible GPU. For NVIDIA G-Sync functionality:</p> <ul style="list-style-type: none">• Install/Open NVIDIA Control Panel• Select "Set up G-Sync"• Select Enable G-Sync Compatible checkbox• Select the 32QHD165/RDD0013• Select "Enable settings for the selected display model" checkbox. <p>May require a system reboot to access NVIDIA settings.</p>
LED	ON or OFF	Selects front Power LED indicator ON or OFF
Source Detection	AUTO or MANUAL	Determines whether the display will automatically switch to a different input if it detects a signal, or if you will need to manually switch between inputs.
USB-C Alt Mode (only present when display is connected through USB-C video port)	4-lane 2-lane	<p>Toggles the number of USB lanes to use on the USB-C port for video.</p> <ul style="list-style-type: none">• 4-Lane Mode allows up to 2560x1440 @ 165Hz resolution but reduces speed of the USB Type-A ports to USB 2.0• 2-Lane Mode allows for up to 2560x1440 @ 120Hz but enables USB Type-A at USB 3.0 speed
Factory Reset	-	Resets all monitor settings to their factory defaults.

OPERATION

OSD – Audio

The fourth menu, labeled “Audio”, lets you control the display’s audio.

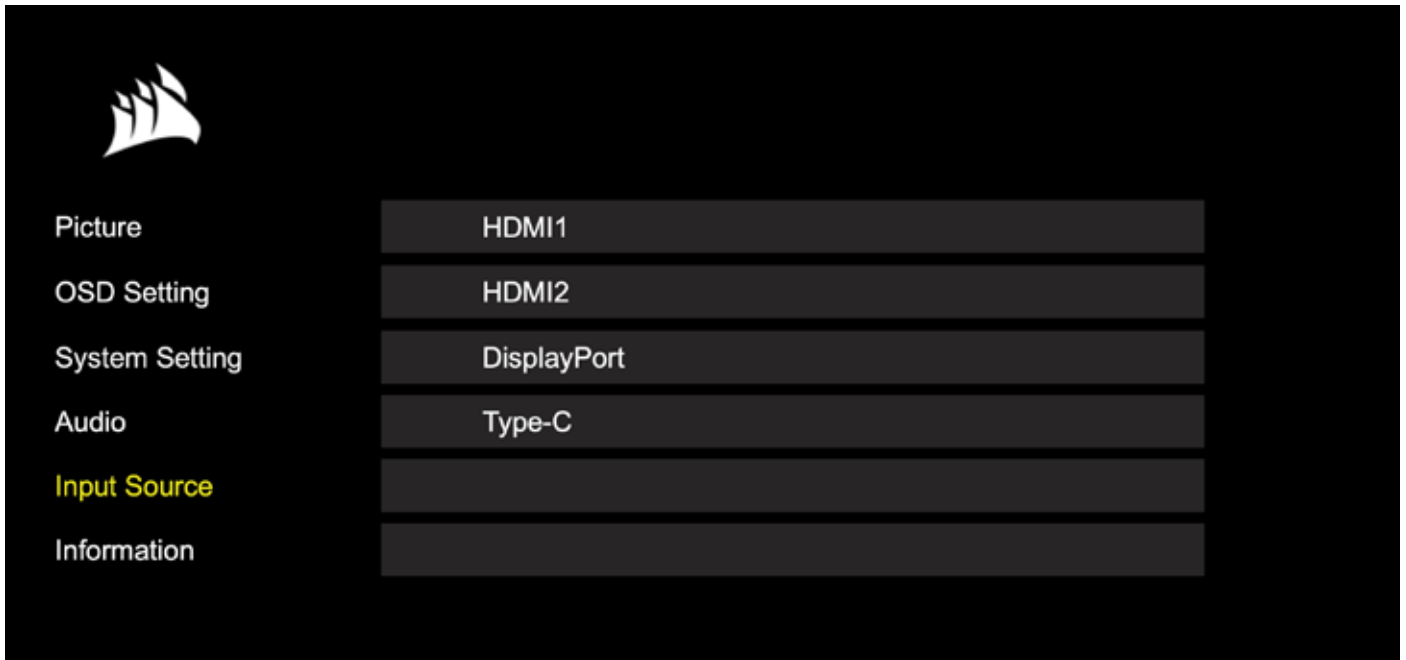


Setting	Options	Description
Volume	0-100	Adjusts the volume of the audio output from the headphone jack.
Audio Input	Auto, HDMI-1, HDMI-2, DisplayPort, USB-C	Selects which input the display passes audio to the headphone jack from. “Auto” will use the current input.

OPERATION

OSD – Input Select

The fifth menu, labeled “Input Select”, lets you switch between the display’s different inputs.

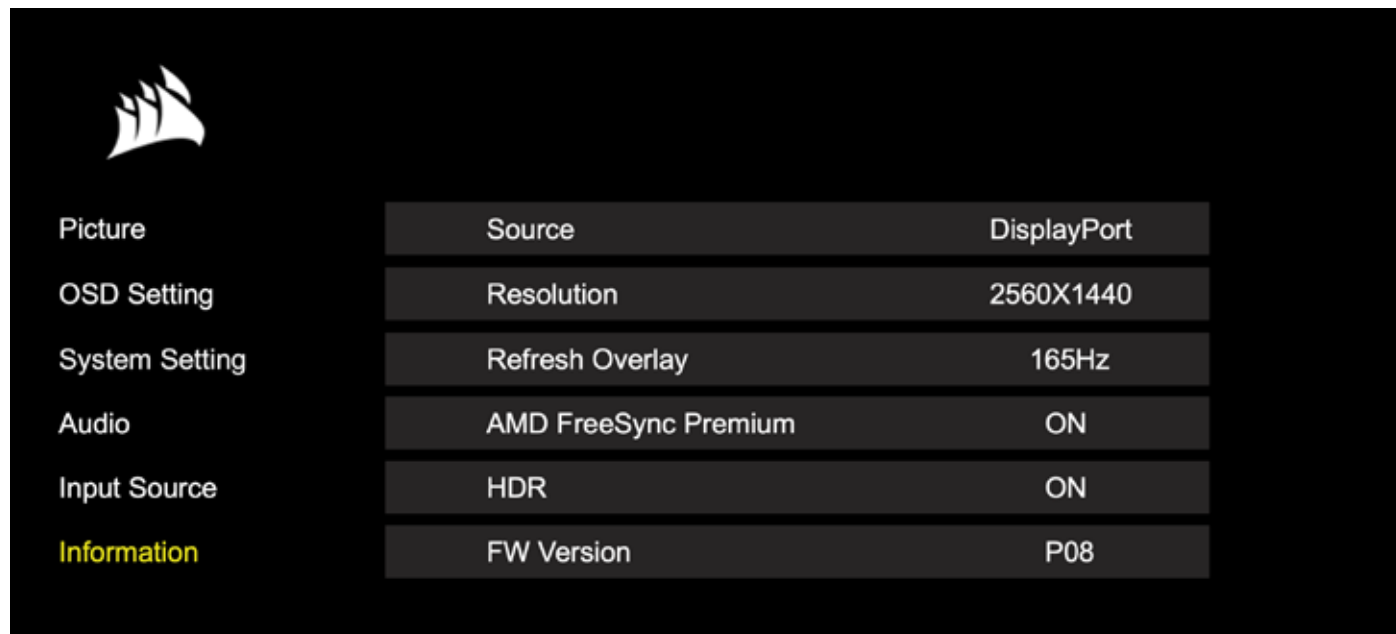


Setting	Description
HDMI-1	Switches to the device connected to the HDMI-1 port.
HDMI-2	Switches to the device connected to the HDMI-2 port.
DisplayPort	Switches to the device connected to the “DP” DisplayPort port.
TYPE-C	Switches to the device connected to the TYPE-C port.

OPERATION

OSD – Information

Provides current settings status for key features.

A screenshot of the OSD Information menu. The menu is displayed on a black background with white text. On the left side, there is a list of menu items: Picture, OSD Setting, System Setting, Audio, Input Source, and Information. The 'Information' item is highlighted in yellow. To the right of this list is a table with three columns: the menu item name, the setting name, and the current value. The table contains the following data: Picture (Source: DisplayPort), OSD Setting (Resolution: 2560X1440), System Setting (Refresh Overlay: 165Hz), Audio (AMD FreeSync Premium: ON), Input Source (HDR: ON), and Information (FW Version: P08).

Picture	Source	DisplayPort
OSD Setting	Resolution	2560X1440
System Setting	Refresh Overlay	165Hz
Audio	AMD FreeSync Premium	ON
Input Source	HDR	ON
Information	FW Version	P08

OPERATION

Frequently Asked Questions / Troubleshooting

Question	Answer
Power LED not on	Press the power button on the back of your monitor to check if it is set to ON.
	Check to see if the power cable is fully plugged into the monitor as well as the power adapter.
	Check Power LED toggle in OSD System Setting Menu is toggled on.
No image on screen	Check to see if your monitor is on.
	Check to see if the video cable is properly connected to the monitor as well as the source device.
	Check the quality of the video cable and ensure that it isn't damaged. Avoid low quality video cables and extensions.
	Check which video source input your monitor is set to (if the Auto Source feature is disabled in OSD).
	Connect another source device to test monitor video input.
	Connect the source device to another available monitor to test video output.
	Avoid hot-plugging the monitor. Have the monitor connected to the source prior to powering up the source device.
Image too light/dark	Adjust the brightness/gamma/contrast settings via the OSD.
	Reset the monitor to factory settings.
Video signal not supported	Check the video output settings of the source device. Supported input resolutions for the CORSAIR XENEON 32QHD165 Gaming Monitor are located on page 22 .

OPERATION

Frequently Asked Questions / Troubleshooting

Question	Answer
Does the CORSAIR XENEON 32QHD165 support video over USB-C?	Yes, the CORSAIR XENEON 32QHD165 supports DisplayPort over USB-C through the dedicated TYPE-C DP ALT input. Use the included 1.5m Type-C cable or a quality USB Type-C cable that supports USB 3.2 Gen 2 for best results.
I'm unable to use devices connected to the USB-A ports on my monitor when connected to my device that supports USB-C Alt Mode using a single USB-C cable.	USB-C Alt Mode, by default will operate in "4 lane" mode which allows for full DisplayPort resolution over USB-C, however this disables the use of the USB Type-A ports. To re-enable the USB Type-A ports when connected solely via the TYPE-C DP ALT input, switch to "2 lane" mode which will limit the supported video output resolution in order to re-enable the USB Type-A ports for peripherals connected to the monitor's USB Type-A ports. Alternatively, you may connect the source device to the USB downstream port as well as the TYPE-C DP ALT port for full video resolution and USB port functionality. Ensure that you're using a quality USB Type-C cable that supports USB 3.2 Gen 2 for best results.
Image is stretched/squished	Check the "Aspect Ratio" setting under "System Setting". By default this is set to "Auto", however in certain instances, you may need to manually set an aspect ratio (ex: certain combinations of adapters and retro game consoles).
Image has color issues	Check the quality of the video cable and ensure that it isn't damaged. Avoid low quality video cables and extensions.
	Reset the monitor to factory settings.
	Adjust the picture settings via OSD.
Artifacts in onscreen image	Check the quality of the video cable and ensure that it isn't damaged.
	Check your source device, a faulty graphics card or game console may require contacting the manufacturer for assistance.
Monitor has a dead pixel	CORSAIR provides a "Zero Dead Pixel" policy for monitor products, if 1 or more bright pixels or 6 or more dark subpixels are found, the monitor will be exchanged during the 3-year warranty period.
What kind of VESA mount is compatible?	CORSAIR XENEON 32QHD165 supports a standard 100mm x 100mm mount, the monitor head must be removed from the stand. Use the mounting screws supplied with your VESA mount.

OPERATION

Frequently Asked Questions / Troubleshooting

Question	Answer
Can I mount a webcam or DSLR/mirrorless camera?	CORSAIR XENEON 32QHD165 supports standard webcams that sit on the top bezel of the display as well as larger DSLR/mirrorless cameras when used with the Elgato Multi-Mount Adapter Kit for XENEON and Elgato Flex Arm L/S kit (Both adapter kit and Flex Arm kits sold separately)
My CORSAIR XENEON monitor isn't detected by CORSAIR iCUE	Check to ensure that your PC has the latest version of CORSAIR iCUE installed. The CORSAIR XENEON 32QHD165 is supported in iCUE version 4.15 or newer.
	Check to ensure that the cable connected to the USB-C upstream on the monitor and your PC's USB 3.0 port is properly connected. Avoid connecting the monitor through a USB hub or extension if possible. We strongly recommend using the USB-C cable provided with the CORSAIR XENEON monitor for best results.
What adaptive refresh rate options are available to CORSAIR XENEON?	The CORSAIR XENEON 32QHD165 is certified for AMD FreeSync Premium and is also NVIDIA G-SYNC compatible.
AMD FreeSync / G-SYNC aren't enabled.	Check that AMD FreeSync is enabled via OSD.
	Check your graphics card settings and ensure that AMD FreeSync / NVIDIA G-SYNC are enabled. AMD FreeSync functions over any of the video ports. NVIDIA G-Sync compatibility only works over DP or USB Type-C Alt-Mode DP
I'm not getting the monitor's rated 165Hz refresh rate.	Check your graphics card/system display settings and ensure that 165Hz refresh rate has been enabled. See Supported Display Mode table in Appendix for available options.
	Check the quality of the video cable and ensure that it isn't damaged. Avoid low quality video cables and extensions.

APPENDIX

Technical Specifications

Product Name	XENEON 32QHD165
Part Number	CM-9020001
Device	32QHD165 / RDD0013
USB Hub ID	CORSAIR USB 3.0 Hub
Panel Size	32" Diagonal
Display Surface	Non-Glare
Pixels per inch	91.8
Aspect Ratio	16:9
Native Resolution	2560 x 1440 @ 165Hz
Response Time (MPRT)	1ms
Response Time (GtG)	<3ms
Display Colors	16.7M (8-bit RGB)
Panel Technology	IPS with Quantum Dot Technology
Flicker Free	Yes
Viewing Angles	178° (H) / 178° (V)
Peak Brightness	400 nit (SDR) / 440 nit (HDR)
Static Contrast Ratio	1000:1
HDR Certification	VESA DisplayHDR 400
Color Gamut (CIE 1976)	98% (DCI-P3), 100% (AdobeRGB), 100% (sRGB)
Variable Refresh Rate	AMD FreeSync Premium Certified, NVIDIA G-Sync compatible
HDMI Input	2x HDMI 2.0
DisplayPort Input	1x DisplayPort 1.4
USB-C Input	1x DisplayPort 1.4 (USB-C Alt Mode), 15W Power Delivery, USB 5Gbps Data Upstream
USB-C Upstream Input	1x 5Gbps USB-C
USB-A Output	2x 5Gbps Type-A USB (5V/0.9A *2)
3.5mm Audio	Passthrough from video input

APPENDIX

Technical Specifications

Power Consumption (On)	68W
Power Consumption (Sleep)	<0.5W
Power Consumption (Off)	<0.3W
VESA Compatibility	100mm x 100mm
Dimensions	732mm x 607mm x 316mm (W x H x D)
Weight	9.5kg
Stand Tilt	-5° / +20°
Stand Swivel	-30° / +30°
Stand Height Adjustment Range	110mm
AC Adapter	90W
	Note: your device uses the following power supply: Asian Power Devices Inc. / DA-90J19

Supported Display Modes

Resolution	Refresh Rate
640x480	60, 67, 72, 75Hz
800x600	56, 60, 72, 75Hz
1024x768	60, 70, 75Hz
1280x1024	60, 75Hz
1440x900	60Hz
1680x1050	60Hz
1920x1080	30, 50, 60, 100, 120Hz
2560x1440	30*, 60, 120, 144*, 165Hz**
3840x2160***	30, 60Hz

*HDMI only.

**DisplayPort/USB-C Alt Mode (4-lane) only.

***Image is downscaled to native resolution.

APPENDIX

Default Picture Preset Values

Setting	Standard	Movie	Game	Text	Creative	sRGB	HDR
Brightness	Varies by Region*	100	100	30	100	27	100
Contrast	50	50	50	50	50	50	50
Sharpness	5	7	6	5	5	5	5
Color Temp	Normal	Normal	Normal	Warm	Normal	sRGB	Normal
Gamma	2.2	2.2	2.2	2.2	2.2	sRGB	2.2
Saturation	0	2	1	0	0	0	0
Low Blue Light	Off	Off	Off	Off	Off	Off	Off
Response Time	Fast	Fast	Fast	Normal	Normal	Normal	Fast
MPRT	Off	Off	Off	Off	Off	Off	Off

* Default brightness will vary by region

- North America = 40
- Europe = 30
- UK = 30
- Asia = 60

HDMI Legal Disclosure



HDMI

The adopted trademarks HDMI, HDMI High-Definition Multimedia Interface, and the HDMI logo are trademarks or registered trademarks of HDMI Licensing Administrator, Inc. in the United States and other countries.

The terms HDMI, HDMI High-Definition Multimedia Interface, and the HDMI logo are trademarks or registered trademarks of HDMI Licensing Administrator, Inc.

TABLE DES MATIÈRES

Précautions	2
Contenu de l'emballage	3
Assemblage	4
Réglage de l'inclinaison, du pivotement et de la hauteur	5
Gestion des câbles, support de caméra (facultatif) et autres options de montage	6
Connectivité	9
Fonctionnement	10
Contrôles	10
Affichage à l'écran (OSD)	10
OSD – Paramètres d'image	11
OSD – Paramètres OSD	13
OSD – Paramètres système	14
OSD – Audio	16
OSD – Sélection de l'entrée	17
OSD – Informations	18
Foire aux questions / Résolution des problèmes	19
Caractéristiques techniques	22
Caractéristiques techniques	22
Modes d'affichage pris en charge	23
Valeurs par défaut des préréglages d'image	24

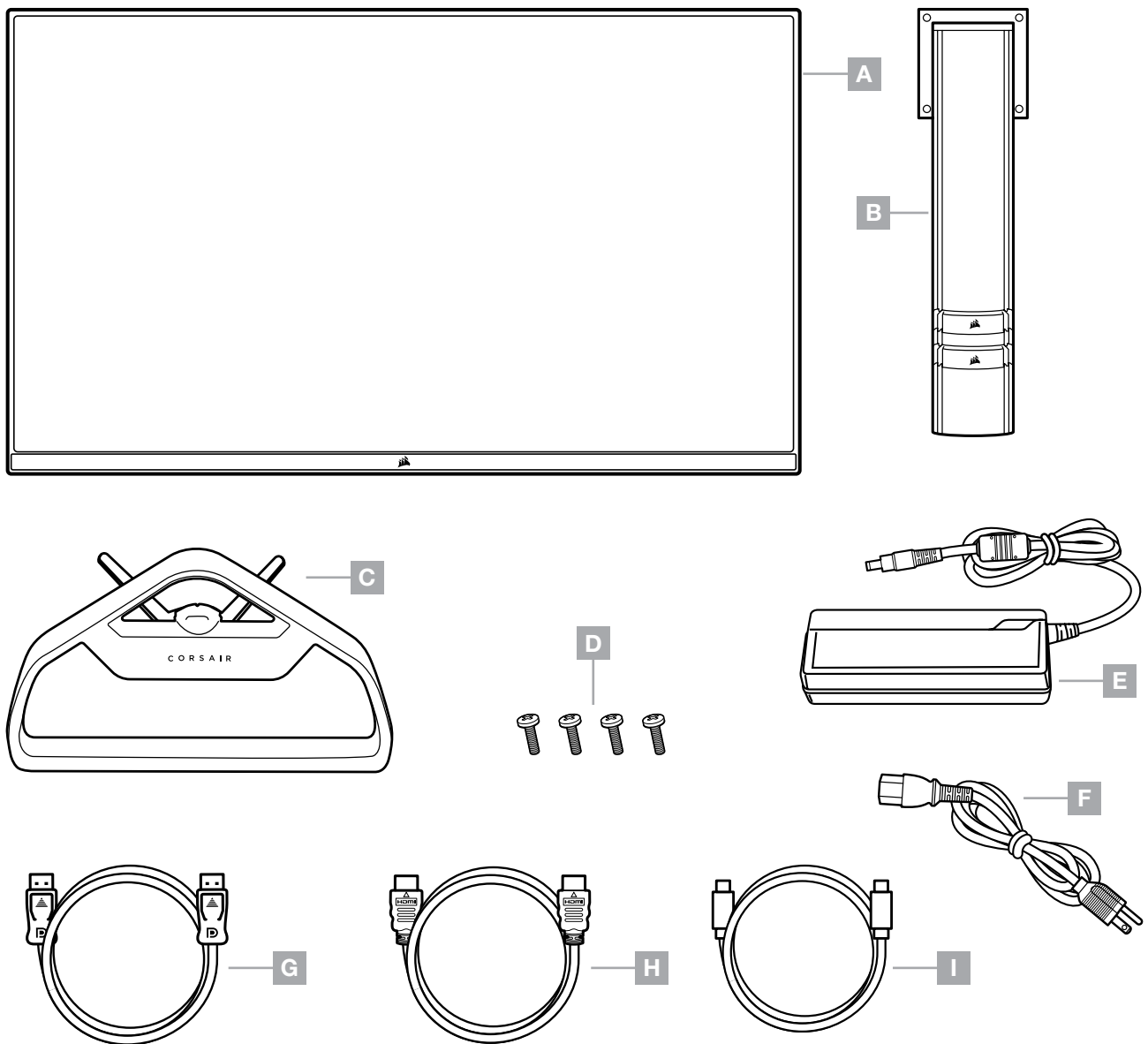


Scannez le QR Code
pour obtenir un guide
de démarrage rapide et
des vidéos expliquant la
configuration

PRÉCAUTIONS

- Veillez à n'utiliser que les accessoires fournis avec l'écran ou ceux recommandés par le fabricant.
- Mettez l'emballage plastique du produit dans un endroit hors de portée des enfants.
- Avant de brancher l'écran à la prise d'électricité, assurez-vous que la tension nominale du câble d'alimentation est compatible avec les normes en vigueur dans le pays où vous vous trouvez.
- La fiche du cordon d'alimentation doit être branchée à une prise de terre correctement câblée.
- Ne touchez pas à la fiche avec des mains humides pour éviter tout choc électrique.
- Placez l'écran dans un endroit stable et bien aéré.
- Ne placez pas l'écran à proximité de sources de chaleur comme un radiateur électrique ou la lumière directe du soleil.
- Les trous ou ouvertures sur l'écran sont là pour la ventilation. Ne recouvrez et ne bloquez pas les trous de ventilation avec un objet.
- N'utilisez pas l'écran à proximité d'eau, de boissons ou de tous types de liquide. Le non-respect de cette condition pourrait conduire à un choc électrique ou à l'endommagement de l'écran.
- Veillez à débrancher l'écran de la prise de courant avant de le nettoyer.
- La surface de l'écran étant facile à griffer, veillez à éviter de la toucher avec un objet dur ou pointu. Utilisez un chiffon non pelucheux plutôt qu'un mouchoir pour essuyer l'écran. Vous pouvez utiliser un nettoyant pour vitres pour nettoyer l'équipement si nécessaire. Veillez cependant à ne pas utiliser le spray directement sur l'écran.
- Débranchez le câble d'alimentation si vous ne comptez pas utiliser l'équipement pendant une longue période.
- N'essayez pas de désassembler ou de réparer l'écran vous-même.

CONTENUS DE L'ÉCRAN XENEON 32QHD165



A — PANNEAU DE L'ÉCRAN XENEON
32QHD165

B — POTEAU DE MONTAGE

C — PIED

D — VIS DE MONTAGE (X4)

E — ADAPTATEUR CA

F — CÂBLE D'ALIMENTATION CA

G — DISPLAYPORT CABLE (1.5M)

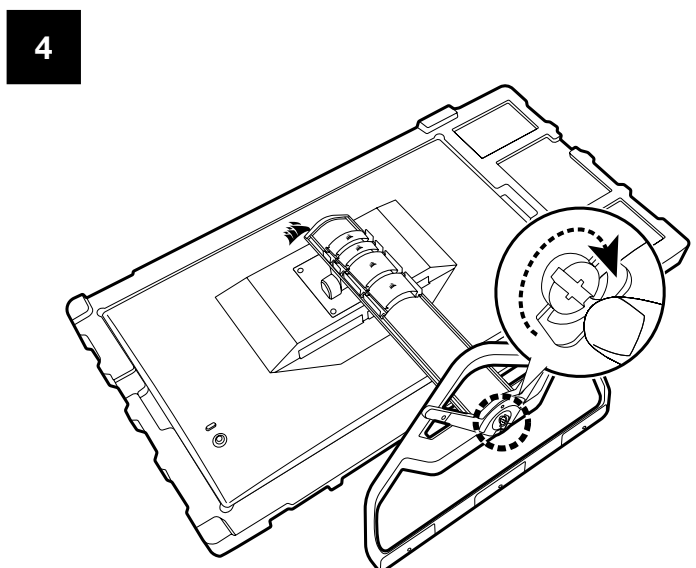
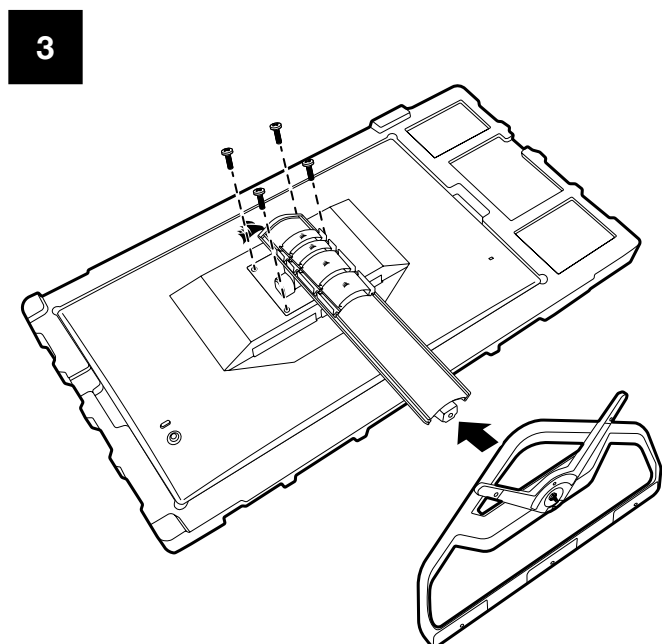
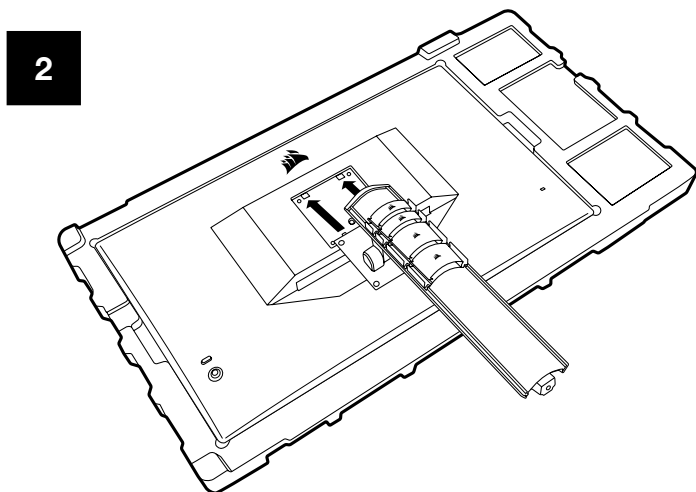
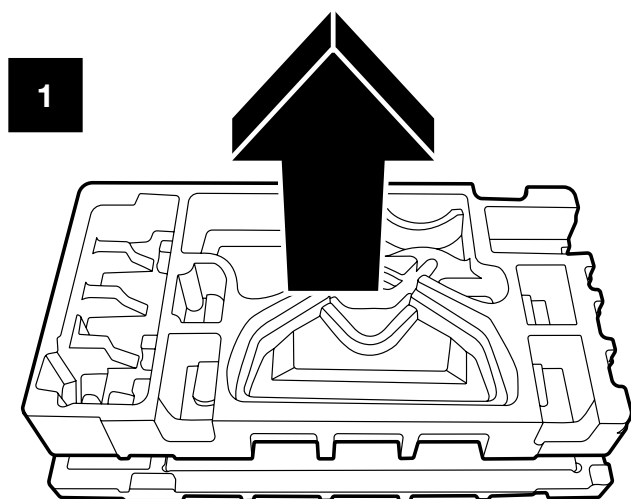
H — CÂBLE HDMI (1,5 M)

I — CÂBLE USB-C (1,5 M)

ASSEMBLAGE

Avant de commencer, munissez-vous d'un tournevis cruciforme.

1. Retirez la couche supérieure de mousse qui comprend les accessoires et le pied pour révéler l'arrière du panneau.
2. Ouvrez prudemment le sac en mousse qui recouvre le panneau (voir image 1) pour révéler la zone de montage. Ne retirez pas le panneau du sac.
3. Alignez le poste d'écran avec les emplacements de montage situés à l'arrière du panneau (voir image 2). Faites glisser les crochets supérieurs dans les emplacements de montage à l'arrière du panneau. À l'aide d'un tournevis Phillips, attachez fermement le poste au panneau avec les 4 vis.
4. Attachez la base du pied au poste d'écran (voir image 3) et serrez la vis moletée captive dans le bas du poste (voir image 4).
5. Retirez lentement l'écran de l'emballage et mettez-le à la verticale sur votre bureau. Veillez à ne pas toucher l'avant du panneau quand vous soulevez l'écran.



RÉGLAGE DE L'INCLINAISON, DU PIVOTE- MENT ET DE LA HAUTEUR

Votre écran Xeneon est doté d'un pied solide et élégant qui permet de régler son inclinaison, son pivotement et sa hauteur

- Inclinaison -5 / +20 degrés
- Pivotement +/-30 degrés
- Fourchette de réglage de la hauteur 110 mm (497 mm ~ 607 mm)

Inclinaison



Réglage du pivotement et de la hauteur

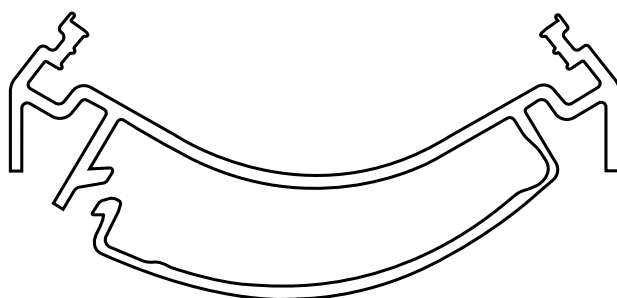


GESTION DES CÂBLES, SUPPORT DE CAMÉRA (FACULTATIF) ET AUTRES OPTIONS DE MONTAGE



Votre écran Xeneon a une gestion des câbles RapidRoute intégrée afin de garder un bureau ordonné. Le poste d'écran comporte 4 clips serre-câbles réglables qui glissent de haut en bas pour répondre à tous vos besoins de gestion des câbles. Ouvrez chaque clip serre-câble en appuyant sur le cran à gauche et en retirant la partie extérieure du clip.

Si vous avez besoin de retirer les clips serre-câbles, enlevez la base du poste en faisant glisser les clips vers le bas et hors des guides.



COMPATIBILITÉ ELGATO FLEX ARM

Le sommet du poste d'écran Xeneon dispose d'un connecteur 1/4" permettant l'ajout des systèmes Elgato Flex Arm et kit d'adaptateur pour caméra (vendus séparément), afin d'attacher une caméra au sommet. Ces accessoires sont disponibles à l'achat directement auprès de Corsair.

- Kit d'adaptateur pour caméra et support en boule Xeneon (CM-8900001)
- Elgato Flex Arm-S (10AAH9901) ou Flex Arm-L (10AAC9901)

A division of CORSAIR

Une vidéo et des instructions d'installation pour le support de caméra sont disponibles ici :

<https://www.corsair.com/xeneon-quickstart>



Flex Arm S



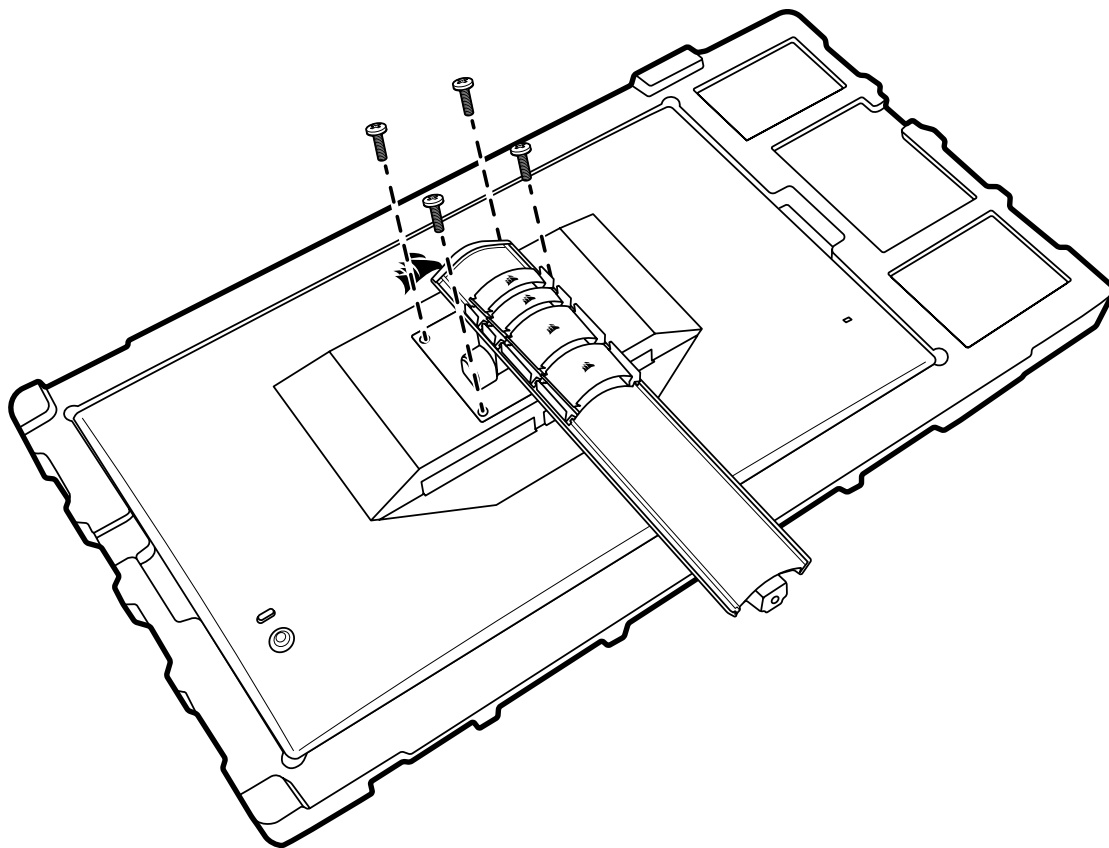
Flex Arm L



COMPATIBILITÉ DU SUPPORT MURAL

Avant d'attacher votre écran au mur à l'aide d'un support mural compatible (VESA 100 mm x 100 mm), vérifiez les choses suivantes :

- Vous avez retiré le pied de l'écran avec un tournevis Phillips
- Le support mural que vous avez acheté supporte le poids de l'écran

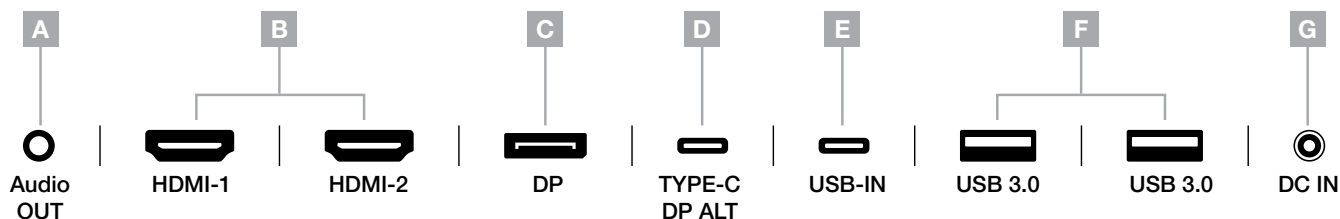


Consultez les instructions fournies avec votre support mural pour savoir comment attacher votre écran de manière correcte.

AVERTISSEMENT : Votre écran est muni de quatre trous de fixation VESA à l'arrière. Attachez fermement un support mural aux quatre trous. Si vous n'utilisez pas les quatre trous, votre écran risque de tomber et de causer des dégâts ou des blessures.

Remarque : Les vis pour support mural ne sont pas incluses. Vis : type M4, longueur de 10 à 12 mm en fonction du support mural utilisé

CONNECTIVITÉ




- A. Prise Audio 3,5 mm
Sortie Audio depuis les appareils HDMI, DisplayPort et USB-C Alt connectés.
- B. Ports HDMI 2.0
Deux entrées HDMI correspondant aux entrées « HDMI1 » et « HDMI2 ».
- C. Port DisplayPort 1.4
Entrée DisplayPort correspondant à l'entrée « DisplayPort ».
- D. Port USB Type-C
Prend en charge le mode DisplayPort Alt et l'entrée USB en amont (se connecte aux ports USB 3.0). Correspond à l'entrée « TYPE-C ». Ce port ou le port en amont doit être connecté à un port compatible USB sur votre appareil hôte pour prendre en charge la fonctionnalité CORSAIR iCUE et les ports USB 3.0 en aval.
- E. Port USB en amont
port d'entrée USB en amont. Ce port ou le port doit être connecté à un port compatible USB sur votre appareil hôte pour prendre en charge la fonctionnalité CORSAIR iCUE et les ports USB 3.0 en aval. Ports USB 3.0 – Deux ports USB Type-A 5 Gbps.
- F. DC In
Se connecte à un adaptateur CA inclus.

FONCTIONNEMENT

Contrôles

 — Alimentation marche/arrêt

 — Pression - Ouvrir les paramètres d'affichage.

Haut - Ouvrir le bouton de luminosité.
Bas - Ouvrir la sélection du mode Image
Gauche - Ouvrir le bouton de volume.
Droite - Ouvrir la sélection de la source d'entrée



Votre moniteur est doté d'un joystick à l'arrière permettant d'ouvrir les raccourcis et de parcourir les paramètres d'affichage. Notez que bon nombre de ces paramètres peuvent également être contrôlés dans le logiciel CORSAIR iCUE si vous avez un hub USB connecté à votre ordinateur via un port USB. Veuillez installer la dernière version d'iCUE (4.16 ou plus récente) disponible sur la page <https://www.corsair.com/fr/fr/icue>.

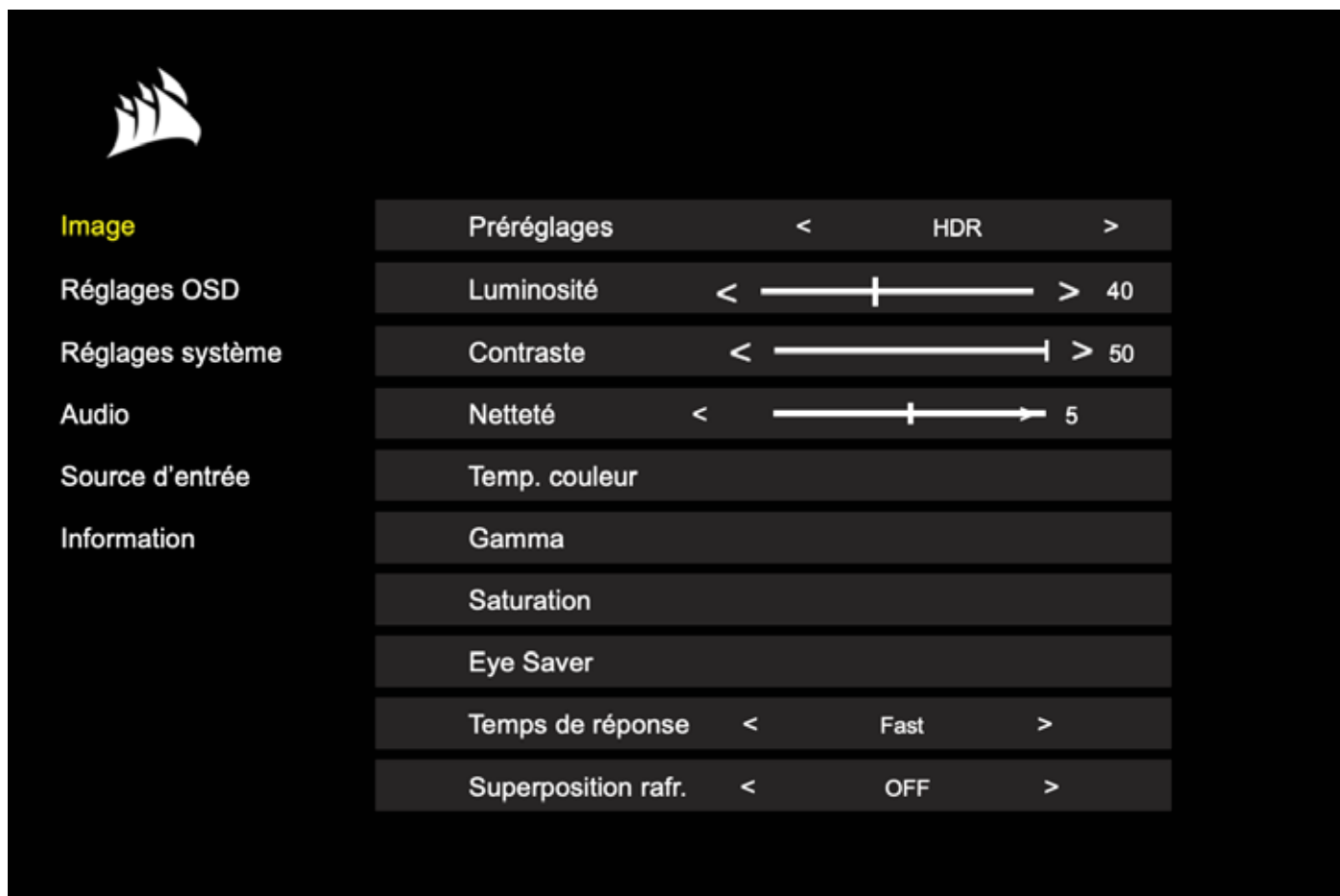
Affichage à l'écran (OSD)

En pressant le joystick vers l'intérieur, vous pouvez accéder aux paramètres d'affichage de votre moniteur. Vous pouvez utiliser le joystick pour parcourir les paramètres et presser le joystick vers l'intérieur vous permettra de confirmer votre sélection.

FONCTIONNEMENT

OSD – Paramètres d'image

Le premier menu, nommé « Image », contient les paramètres suivants pour ajuster la qualité d'image globale.



FONCTIONNEMENT

OSD – Paramètres d'image

Paramètre	Options	Description
Mode Image	Standard	Sélectionne un préréglage d'usine d'affichage calibré pour l'usage général et des économies d'énergie maximales.
	Film	Sélectionne un préréglage d'affichage optimisé pour regarder des films.
	Texte	Sélectionne un préréglage d'affichage optimisé pour lire du texte.
	sRGB	Sélectionne un préréglage d'usine d'affichage calibré pour l'espace colorimétrique sRGB.
	Créatif	Sélectionne un préréglage d'usine d'affichage calibré pour les tâches de création de contenu.
	Jeu	Sélectionne un préréglage d'affichage optimisé pour jouer à des jeux aux mouvements rapides.
	HDR	Sélectionne un préréglage d'affichage certifié VESA DisplayHDR400.
Luminosité	0-100	Ajuste l'intensité du rétroéclairage de l'écran.
Contraste	0-100	Ajuste le contraste de l'écran.
Netteté	0-5	Ajuste le filtre de netteté de l'écran, augmentant ainsi les détails.
Température chromatique	Froide	Définit la température chromatique de l'écran sur 9300 K.
	Normale	Définit la température chromatique de l'écran sur 6500 K.
	Chaude	Définit la température chromatique de l'écran sur 5000 K.
	Personnalisée	Vous permet de définir manuellement la température chromatique de l'écran avec les boutons contrôlant les niveaux de rouge, bleu et vert.
Gamma	2.0, 2.2, 2.4	Adjusts the relationship between color and brightness; default is 2.2.
Saturation	0-10	Ajuste l'intensité des couleurs de l'écran.
Eye Saver	MARCHE ou ARRÊT	Réduit les émissions de lumière bleue de l'écran.
Temps de réponse	Normal, rapide, le plus rapide	Vous permet d'augmenter la vitesse de transition entre les couleurs des pixels, ce qui peut réduire le floutage des objets se déplaçant rapidement.
Superposition rafr.	MARCHE ou ARRÊT	Affiche un élément en superposition dans le coin supérieur droit qui indique le taux de rafraîchissement actuel du moniteur, ce qui est utile pour surveiller le nombre d'images par seconde quand la synchronisation adaptative est activée.
MPRT	MARCHE ou ARRÊT	Active le paramètre « Temps de réponse image mobile », ce qui peut réduire le floutage des objets se déplaçant.

FONCTIONNEMENT

OSD – Paramètres OSD

Le deuxième menu, nommé « Paramètre OSD », contient les paramètres suivants pour ajuster l’affichage à l’écran.

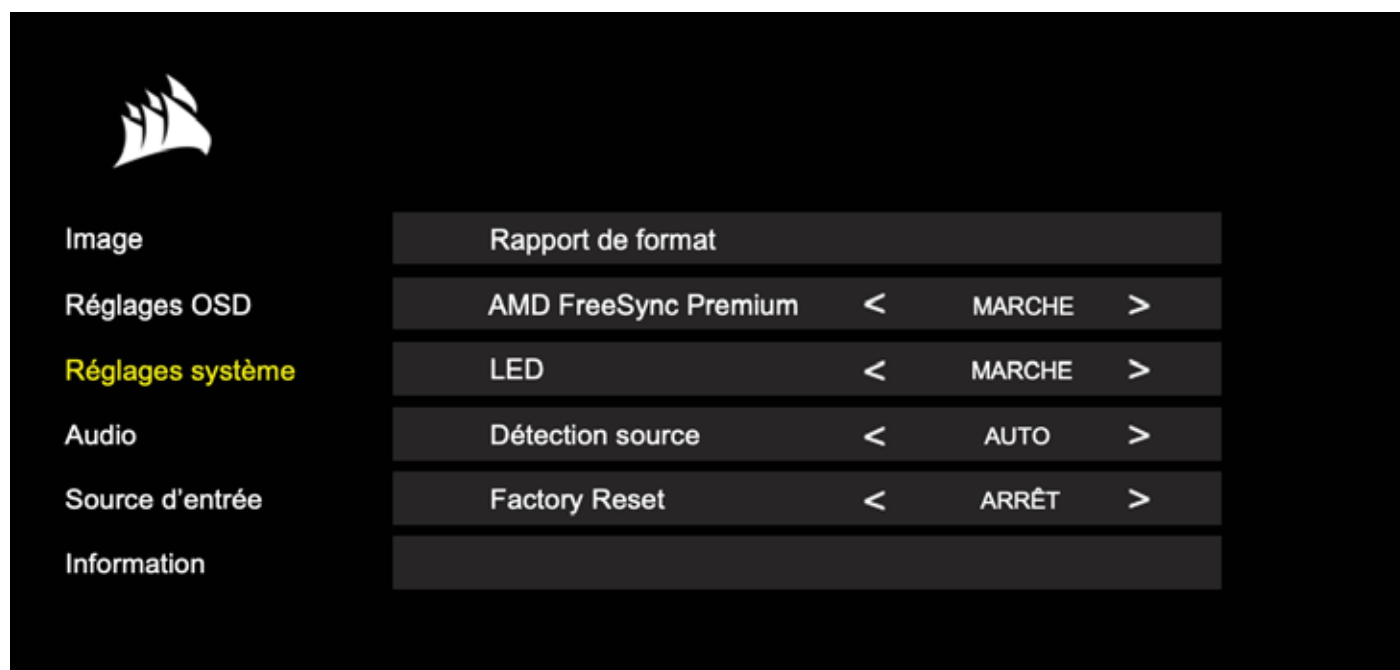


Paramètre	Options	Description
Langue	Anglais Français Allemand Italien Espagnol Japonais Coréen Portugais Russe Chinois (traditionnel)	Sélectionne la langue de l’OSD.
Transparence	MARCHE ou ARRÊT	Définit l’affichage de l’OSD sur transparent ou opaque.
Expiration	10-60	Définit le temps (en secondes) que reste l’OSD avant de disparaître.

FONCTIONNEMENT

OSD – Paramètres système

Le troisième menu, nommé « Paramètre système », contient les paramètres suivants pour ajuster les paramètres internes de l'écran.



FONCTIONNEMENT

OSD – Paramètres système

Paramètre	Options	Description
Rapport d'aspect	Auto, 4:3, 16:9	Selects the display's aspect ratio. "Auto" will try to match the display's aspect ratio to the incoming video signal. Not available with Adaptive Sync enabled.
AMD FreeSync Premium	MARCHE ou ARRÊT	<p>Enables or disables the adaptive sync functionality when connected to a compatible GPU. Select ON to enable Adaptive Sync for AMD FreeSync via HDMI.</p> <p>NVIDIA G-Sync compatibility is available when connected via DP cable or USB Type-C Alt Mode cable to compatible GPU. For NVIDIA G-Sync functionality:</p> <ul style="list-style-type: none">• Install/Open NVIDIA Control Panel• Sélectionnez « Configuration de G-Sync »• Cochez la case « Activer la compatibilité G-Sync »• Select the 32QHD165/RDD0013• Cochez la case « Activer les paramètres du modèle d'écran sélectionné » <p>Un redémarrage du système peut être nécessaire pour accéder aux paramètres de NVIDIA.</p>
LED	MARCHE ou ARRÊT	Sélectionne le témoin d'alimentation LED sur MARCHE ou ARRÊT
Détection de la source	AUTO ou MANUEL	Détermine si l'écran passe automatiquement à une entrée différente s'il détecte un signal ou si vous devrez passer manuellement d'une entrée à l'autre.
Mode Alt USB-C (présent uniquement quand l'écran est connecté par le port vidéo USB-C)	4 voies 2 voies	<p>Change le nombre de voies USB à utiliser sur le port USB-C pour la vidéo.</p> <ul style="list-style-type: none">• Le mode à 4 voies permet d'avoir jusqu'à 2560 x 1440 @ 165 Hz en résolution d'affichage, mais réduit la vitesse des ports USB Type-A à celle de ports USB 2.0• Le mode à 2 voies permet d'avoir jusqu'à 2560 x 1440 @ 120 Hz, mais active la vitesse USB 3.0 pour les ports USB Type-A
Réini. param. défaut	-	Réinitialise tous les paramètres du moniteur aux réglages d'usine.

FONCTIONNEMENT

OSD – Audio

Le quatrième menu, nommé « Audio », vous permet de contrôler l'audio de l'écran.

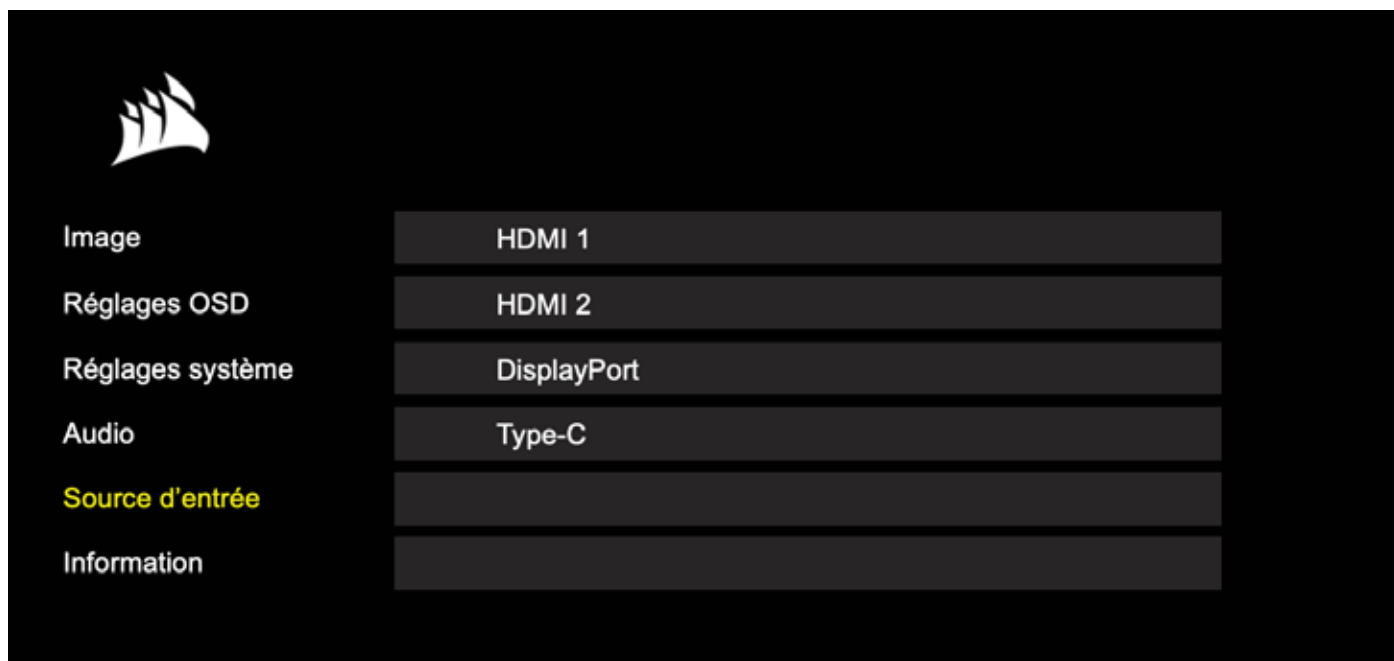


Paramètre	Options	Description
Volume	0-100	Ajuste le volume de la sortie audio depuis la prise casque.
Entrée audio	Auto, HDMI-1, HDMI-2, DisplayPort, USB-C	Sélectionne l'entrée depuis laquelle l'écran fait passer l'audio vers la prise casque. Le mode « Auto » utilisera l'entrée actuelle.

FONCTIONNEMENT

OSD –Sélection de l'entrée

Le cinquième menu, nommé « Sélection de l'entrée », vous permet de passer de l'une à l'autre des entrées de l'écran.



Paramètre	Description
HDMI-1	Passe à l'appareil connecté au port HDMI-1.
HDMI-2	Passe à l'appareil connecté au port HDMI-2.
DisplayPort	Passe à l'appareil connecté au port DisplayPort « DP ».
TYPE-C	Passe à l'appareil connecté au port TYPE-C.

FONCTIONNEMENT

OSD – Informations

Indique l'état actuel des paramètres des fonctions clés.




Image	Source	DisplayPort
Réglages OSD	Résolution	2560X1440
Réglages système	Superposition rafr.	165Hz
Audio	AMD FreeSync Premium	MARCHE
Source d'entrée	HDR	MARCHE
Information	Version firmware	P08

FONCTIONNEMENT

Foire aux questions / Résolution des problèmes

Question	Réponse
Témoin d'alimentation LED éteint	Appuyez sur le bouton d'alimentation à l'arrière de l'écran pour vérifier qu'il est bien sur MARCHE.
	Vérifiez si le câble d'alimentation est bien branché à l'écran et à l'adaptateur d'alimentation.
	Vérifiez si l'option de témoin d'alimentation LED dans le menu des paramètres système OSD est bien activée.
Aucune image à l'écran	Vérifiez si votre écran est allumé.
	Vérifiez si le câble vidéo est correctement branché à l'écran ainsi qu'au dispositif source.
	Vérifiez la qualité du câble vidéo et assurez-vous que ce dernier n'est pas endommagé. Veuillez éviter d'utiliser des câbles et extensions vidéo de basse qualité.
	Vérifiez quelle est la source vidéo actuellement activée sur votre écran (si la fonction Source Auto est désactivée dans OSD).
	Branchez un autre dispositif source pour tester l'entrée vidéo de l'écran.
	Branchez le dispositif source à un autre écran pour tester l'entrée vidéo.
	Veuillez éviter de déconnecter l'écran quand le système est en marche. Veuillez à connecter l'écran au dispositif source avant d'allumer ce dernier.
Image trop claire/foncée	Réglez les paramètres de luminosité/Gamma/contraste via OSD.
	Réinitialisez l'écran aux réglages d'usine.
Signal vidéo non pris en charge	Vérifiez les paramètres de sortie vidéo du dispositif source. Les résolutions d'entrée prises en charge par l'écran Gaming CORSAIR XENEON 32QHD165 sont les suivantes :

FONCTIONNEMENT

Foire aux questions / Résolution des problèmes

Question	Réponse
Le CORSAIR XENEON 32QHD165 prend-il en charge le support vidéo par USB-C ?	Oui, le CORSAIR XENEON 32QHD165 prend en charge le DisplayPort par USB-C grâce à l'entrée dédiée ALT TYPE-C DP. Utilisez le câble Type-C de 1,5 m inclus ou un câble USB Type-C de qualité et compatible USB 3.2 Gen 2 pour obtenir des résultats optimaux.
Je ne peux pas utiliser les dispositifs connectés aux ports USB-A de mon écran lorsque ce dernier est connecté avec un seul câble USB-C à un dispositif prenant en charge le mode Alt USB-C.	Le mode Alt USB-C fonctionne par défaut en mode « 4 voies », ce qui permet d'obtenir une pleine résolution DisplayPort par USB-C. Ce mode désactive cependant l'utilisation des ports USB Type-A. Pour réactiver les ports USB Type-A lorsque l'écran est connecté uniquement par l'entrée ALT TYPE-C DP, basculez en mode « 2 voies ». Cela restreindra la résolution vidéo prise en charge, mais permettra de réactiver les ports USB Type-A pour les périphériques connectés aux ports Type-A de l'écran. Une autre solution est de connecter le dispositif source au port USB en aval ainsi qu'au port ALT TYPE-C DP pour avoir la pleine résolution vidéo et la fonctionnalité des ports USB. Veillez à utiliser un câble USB Type-C de qualité et compatible USB 3.2 Gen 2 pour obtenir des résultats optimaux.
L'image est étirée/écrasée	Vérifiez le paramètre « Rapport d'aspect » sous « Paramètres système ». Par défaut, il est configuré sur « Auto ». Toutefois, dans certains cas, vous aurez peut-être à configurer manuellement le rapport d'aspect (par exemple lors de certaines combinaisons d'adaptateurs avec des consoles de jeu rétro).
L'image a des problèmes de couleurs	Vérifiez la qualité du câble vidéo et assurez-vous que ce dernier n'est pas endommagé. Veuillez éviter d'utiliser des câbles et extensions vidéo de basse qualité.
	Réinitialisez l'écran aux réglages d'usine.
	Réglez les paramètres d'image via OSD.
L'image présente des défauts	Vérifiez la qualité du câble vidéo et assurez-vous que ce dernier n'est pas endommagé.
	Vérifiez votre dispositif source. Une carte graphique ou une console de jeu défectueuse peut nécessiter de contacter le service d'assistance du fabricant.
Il y a un pixel mort à l'écran	CORSAIR fournit une politique de « zéro pixels mort » pour ses écrans. Si vous trouvez 1 pixel lumineux ou plus, ou 6 pixels foncés ou plus, l'écran sera échangé pendant toute la garantie de 3 ans.
Quels sont les types de support VESA compatibles ?	Le CORSAIR XENEON 32QHD165 prend en charge un support Standard de 100 mm x 100 mm et l'écran doit être retiré de son pied. Utilisez les vis de montage fournies avec votre support VESA.

FONCTIONNEMENT

Foire aux questions / Résolution des problèmes

Question	Réponse
Puis-je monter une webcam pour un appareil DSLR/sans miroir ?	L'écran CORSAIR XENEON 32QHD165 prend en charge les webcams Standard placées au sommet de l'écran et les caméras DSLR/sans miroir par le biais d'un adaptateur Elgato multisupport pour XENEON et d'un kit Elgato Flex Arm L/S (l'adaptateur et les kits Flex Arm sont vendus séparément).
Mon écran CORSAIR XENEON n'est pas détecté par CORSAIR iCUE	Vérifiez que la dernière version de CORSAIR iCUE est installée sur votre PC. Le CORSAIR XENEON 32QHD165 est pris en charge par iCUE version 4.15 ou ultérieure.
	Assurez-vous que le câble connecté au port USB-C en amont de l'écran et au port USB 3.0 de votre PC est correctement branché. Évitez de connecter l'écran par le biais d'un hub ou d'une extension USB, si possible. Nous recommandons fortement l'utilisation du câble USB-C fourni avec l'écran CORSAIR XENEON pour des résultats optimaux.
Quelles sont les options de taux de rafraîchissement adaptatif disponibles pour le CORSAIR XENEON ?	Le CORSAIR XENEON 32QHD165 est certifié AMD FreeSync Premium et est également compatible avec NVIDIA G-SYNC.
La fonctionnalité AMD FreeSync / G-SYNC n'est pas activée.	Vérifiez que la fonctionnalité AMD FreeSync est activée via OSD.
	Vérifiez les paramètres de votre carte graphique et assurez-vous que la fonctionnalité AMD FreeSync / NVIDIA G-SYNC est bien activée. AMD FreeSync fonctionne sur tous les ports vidéo de l'écran. La compatibilité NVIDIA G-Sync n'est possible que sur les ports DP ou mode Alt USB Type-C DP.
Je n'obtiens pas de taux de rafraîchissement à 165 Hz.	Vérifiez les paramètres de votre carte graphique/affichage système et assurez-vous que le taux de rafraîchissement 165 Hz est bien activé. Consultez le tableau des modes d'affichage pris en charge dans l'Annexe pour voir les options disponibles.
	Vérifiez la qualité du câble vidéo et assurez-vous que ce dernier n'est pas endommagé. Veuillez éviter d'utiliser des câbles et extensions vidéo de basse qualité.

ANNEXE

Caractéristiques techniques

Nom du produit	XENEON 32QHD165
N° de référence	CM-9020001
Périphérique	32QHD165 / RDD0013
USB Hub ID	CORSAIR USB 3.0 Hub
Taille du panneau	32" Diagonal
Surface d'affichage	Sans éblouissement
Pixels par pouce	91,8
Rapport d'aspect	16:9
Résolution native	2560 x 1440 @ 165Hz
Temps de réponse (MPRT)	1 ms
Temps de réponse (GtG)	<3ms
Couleurs d'affichage	16,7 M (RGB 8 bits)
Technologie du panneau	IPS avec technologie Quantum Dot
Sans lumière vacillante	Oui
Angles de vue	178° (H) / 178° (V)
Luminosité maximale	400 nits (SDR) / 440 nits (HDR)
Rapport de contraste statique	1000:1
Certification HDR	VESA DisplayHDR 400
Gamme chromatique (CIE 1976)	98 % (DCI-P3), 100 % (AdobeRGB), 100 % (sRGB)
Taux de rafraîchissement variable	Certifié AMD FreeSync Premium, compatible NVIDIA G-Sync
Entrée HDMI	2x HDMI 2.0
Entrée DisplayPort	1x DisplayPort 1.4
Entrée USB-C	1x DisplayPort 1.4 (mode Alt USB-C), alimentation 15 W, connexion USB de 5 Gbps en amont
Entrée USB-C en amont	1x USB-C 5 Gbps
Sortie USB-A	2x USB Type-A 5 Gbps (5 V/0,9 A *2)
Audio 3,5 mm	Passthrough via l'entrée vidéo

ANNEXE

Caractéristiques techniques

Consommation d'énergie (marche)	68 W
Consommation d'énergie (veille)	<0,5 W
Consommation d'énergie (arrêt)	<0,3 W
Compatibilité VESA	100 x 100 mm
Dimensions	732 mm x 607 mm x 316 mm (L x l x H)
Poids	9,5 kg
Inclinaison du pied	-5° / +20°
Pivotement du pied	-30° / +30°
Plage de réglage de la hauteur du pied	110 mm
Adaptateur CA	90 W
	Remarque : votre périphérique utilise l'alimentation suivante : Asian Power Périphériques Inc. / DA-90J19

Modes d'affichage pris en charge

Résolution	Taux de rafraîchissement
640x480	60, 67, 72, 75Hz
800x600	56, 60, 72, 75Hz
1024x768	60, 70, 75Hz
1280x1024	60, 75Hz
1440x900	60Hz
1680x1050	60Hz
1920x1080	30, 50, 60, 100, 120Hz
2560x1440	30*, 60, 120, 144*, 165Hz**
3840x2160***	30, 60Hz

*HDMI seulement.

**DisplayPort/mode USB-C Alt (4 voies) seulement.

***L'image est mise à l'échelle de la résolution native..

ANNEXE

Valeurs par défaut des préréglages d'image

Paramètre	Standard	Film	Jeu	Texte	Créatif	sRGB	HDR
Luminosité	Varie en fonction de la région*	100	100	30	100	27	100
Contraste	50	50	50	50	50	50	50
Netteté	5	7	6	5	5	5	5
Température de couleur	Normale	Normale	Normale	Chaude	Normale	sRGB	Normale
Gamma	2.2	2.2	2.2	2.2	2.2	sRGB	2.2
Saturation	0	2	1	0	0	0	0
Faible lumière bleue	Éteint	Éteint	Éteint	Éteint	Éteint	Éteint	Éteint
Temps de réponse	Rapide	Rapide	Rapide	Normale	Normale	Normale	Rapide
MPRT	Éteint	Éteint	Éteint	Éteint	Éteint	Éteint	Éteint

*La luminosité par défaut varie en fonction de la région

- Amérique du Nord = 40
- Europe = 30
- Royaume-Uni = 30
- Asie = 60

Divulgateion juridique HDMI



HDMI

Les marques commerciales adoptées HDMI, HDMI High-Definition Multimedia Interface et le logo HDMI sont des marques commerciales ou des marques commerciales déposées de HDMI Licensing Administrator, Inc. aux États-Unis et dans les autres pays.

Les termes HDMI, HDMI High-Definition Multimedia Interface et le logo HDMI sont des marques commerciales ou des marques commerciales déposées de HDMI Licensing Administrator, Inc.

INHALTSVERZEICHNIS

Vorsichtsmaßnahmen	2
Lieferumfang	3
Montage	4
Kipp-, Schwenk- und Höheneinstellmöglichkeiten	5
Kabelführung, Kamerahalterung (optional) und andere Befestigungsoptionen	6
Anschlüsse	9
Betrieb	10
Betrieb	10
Bildschirmanzeige (OSD)	10
OSD – Bildeinstellungen	11
OSD – OSD-Einstellung	13
System – Systemeinstellung	14
OSD – Audio	16
OSD – Eingangsauswahl	17
OSD – Information	18
Häufig gestellte Fragen / Problembhebung	19
Daten	22
Technische Daten	22
Unterstützte Display-Modi	23
Standardwerte Bild-Voreinstellungen	24

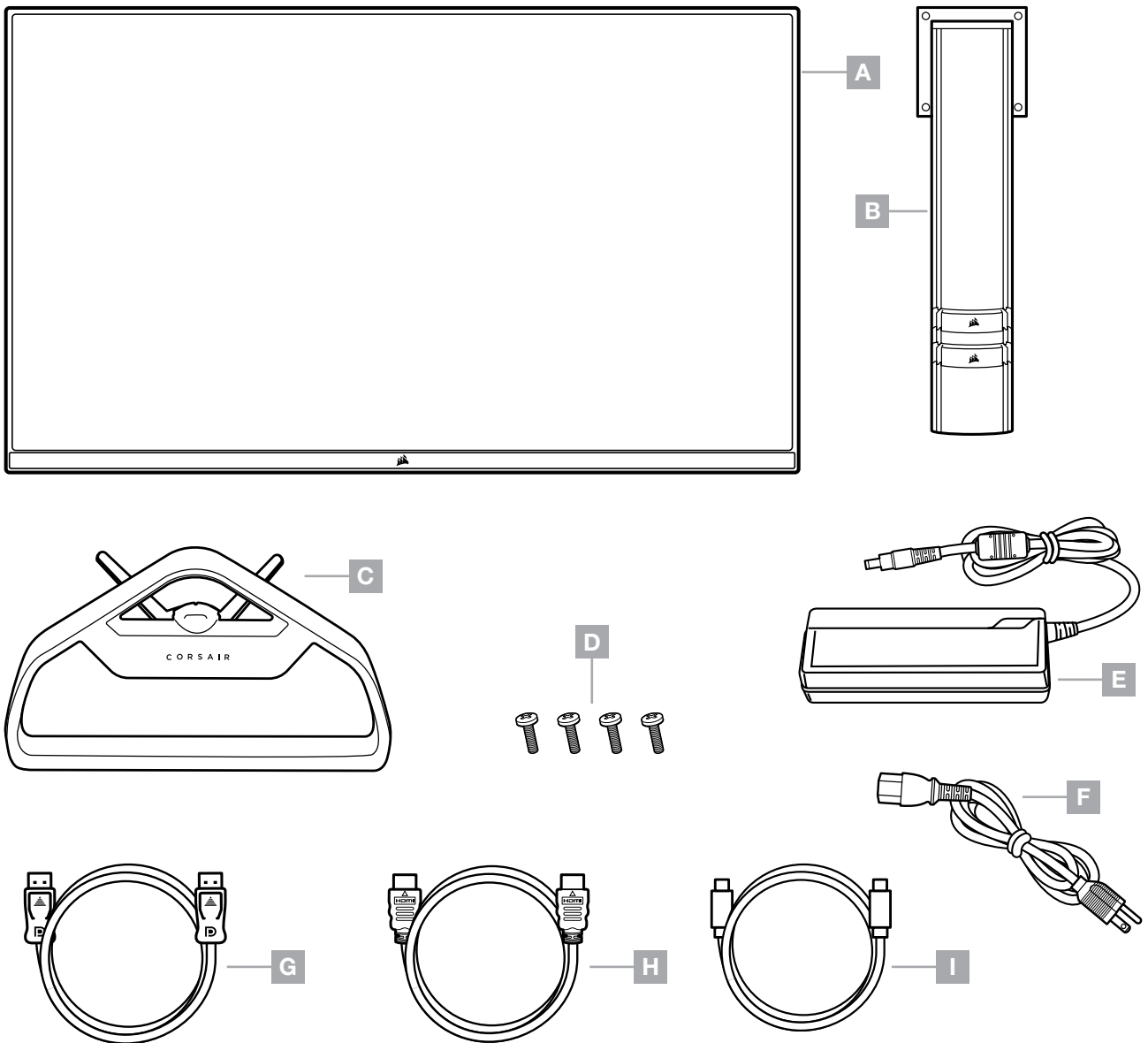


Scannen Sie den QR-Code für die Schnellstartanleitung und Einrichtungsvideos.

VORSICHTSMASSNAHMEN

- Verwenden Sie den Monitor nur mit mitgeliefertem oder vom Hersteller empfohlenem Zubehör.
- Bewahren Sie den Kunststoffverpackungsbeutel für das Produkt an einem für Kinder unzugänglichen Ort auf.
- Bevor Sie den Monitor an das Stromnetz anschließen, überprüfen Sie, ob die Betriebsspannung des Netzkabels mit der Spezifikation in dem Land, in dem Sie sich aufhalten, kompatibel ist.
- Der Netzkabelstecker muss an eine ordnungsgemäß verkabelte und geerdete Steckdose angeschlossen werden.
- Berühren Sie den Netzstecker nicht mit nassen Händen. Andernfalls besteht die Gefahr von Stromschlägen.
- Platzieren Sie den Monitor auf einer stabilen Oberfläche an einem gut belüfteten Ort.
- Platzieren Sie den Monitor nicht in der Nähe von Wärmequellen wie elektrischen Heizkörpern oder in direktem Sonnenlicht.
- Die Bohrungen oder Öffnungen am Monitor dienen der Belüftung. Bedecken oder blockieren Sie die Belüftungsöffnungen nicht mit Gegenständen.
- Verwenden Sie den Monitor nicht in der Nähe von Wasser, Getränken oder anderen Arten von Flüssigkeiten. Andernfalls besteht die Gefahr von Stromschlägen oder Beschädigung des Monitors.
- Bevor Sie den Monitor reinigen, unterbrechen Sie die Stromversorgung.
- Da die Oberfläche des Bildschirms leicht zerkratzen kann, vermeiden Sie den Kontakt der Oberfläche mit harten oder spitzen Gegenständen. Nutzen Sie statt eines Papiertaschentuchs ein weiches fusselfreies Tuch zum Abwischen des Bildschirms. Falls erforderlich, können Sie das Gerät mit einem Glasreiniger säubern. Sprühen Sie das Reinigungsmittel jedoch nie direkt auf den Bildschirm.
- Ziehen Sie den Stecker des Netzkabels aus der Steckdose, wenn das Gerät längere Zeit nicht verwendet wird.
- Versuchen Sie nicht, den Monitor selbst auseinanderzubauen oder zu reparieren.

XENEON 32QHD165 DISPLAY, INHALT



A – XENEON 32QHD165 DISPLAY, PANEL

B – MONTAGEPFOSTEN

C – STÄNDER

D – MONTAGESCHRAUBEN (4X)

E – AC-ADAPTER

F – AC-STROMKABEL

G – DISPLAYPORT-KABEL (1,5 M)

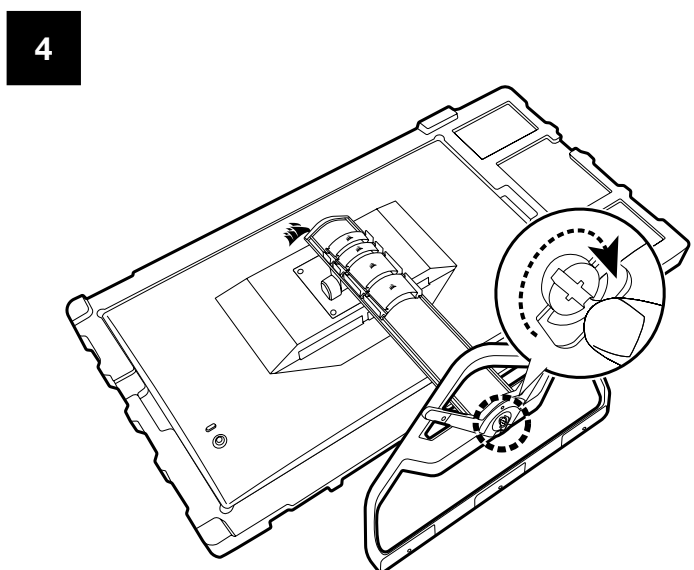
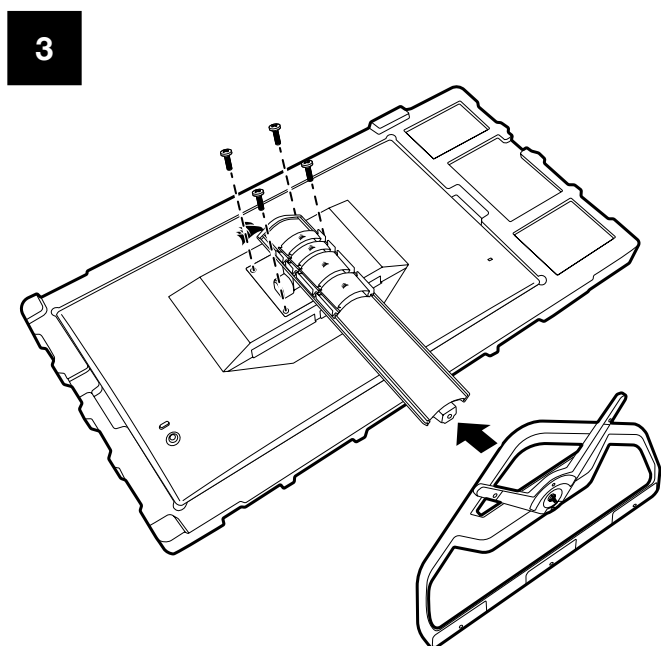
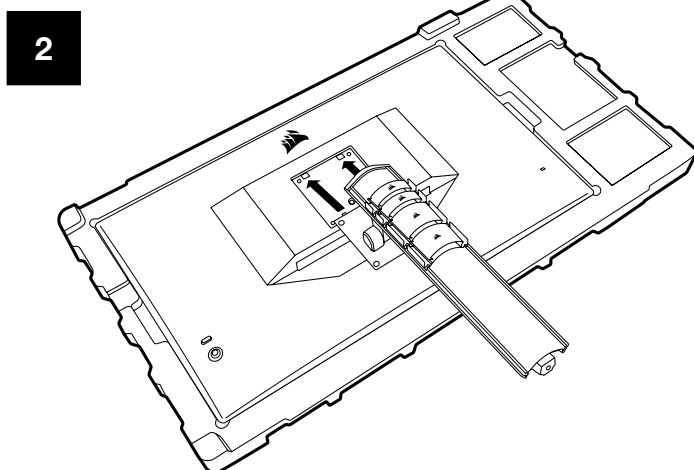
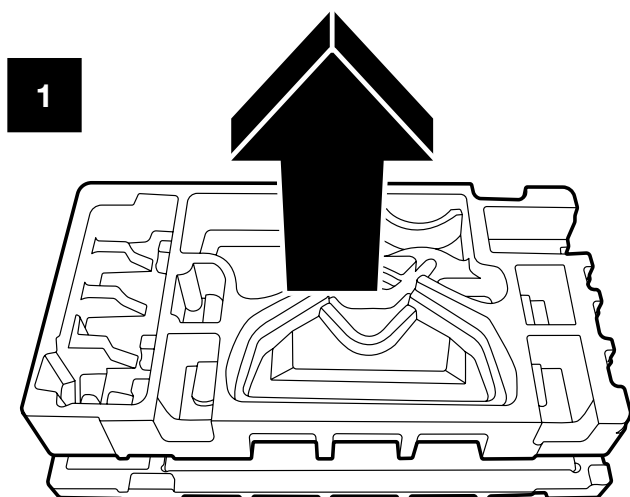
H – HDMI-KABEL (1,5 M)

I – USB-C-KABEL (1,5 M)

MONTAGE

Bevor Sie beginnen, benötigen Sie einen Kreuzschlitzschraubenzieher.

1. Entfernen Sie die obere Lage Schaumstoff, die das Zubehör und den Standfuß enthält, um die Rückseite des Panels freizulegen.
2. Öffnen Sie vorsichtig den Schaumstoffbeutel, der das Panel bedeckt (siehe Abbildung 1), um den Befestigungsbereich freizulegen. Entnehmen Sie das Panel nicht aus dem Beutel.
3. Richten Sie die Monitorsäule an den Montageschlitzen auf der Rückseite des Panels aus (siehe Abbildung 2). Führen Sie die oberen Haken in die Montageschlitze auf der Rückseite des Panels ein. Befestigen Sie die Monitorsäule mit den vier Schrauben am Panel. Verwenden Sie dazu einen Kreuzschlitzschraubenzieher.
4. Befestigen Sie den Standfuß an der Monitorsäule (siehe Abbildung 3), und ziehen Sie die unverlierbare Rändelschraube im Boden der Säule fest (siehe Abbildung 4).
5. Entnehmen Sie den Monitor langsam aus der Verpackung, und platzieren Sie ihn aufrecht auf Ihrem Schreibtisch. Heben Sie den Monitor nicht an der Vorderseite des Panels an. the front of the panel while lifting the monitor.



KIPP-, SCHWENK- UND HÖHENEINSTELLMÖGLICHKEITEN

Ihr Xeneon-Monitor verfügt über einen robusten und eleganten Standfuß mit Kipp-, Schwenk- und Höheneinstellmöglichkeiten.

- Kippen -5 / +20 Grad
- Schwenken +/-30 Grad
- Höhenanpassung 110 mm (497 mm–607 mm)

Kipp-,



Schwenk- und Höheneinstellmöglichkeiten

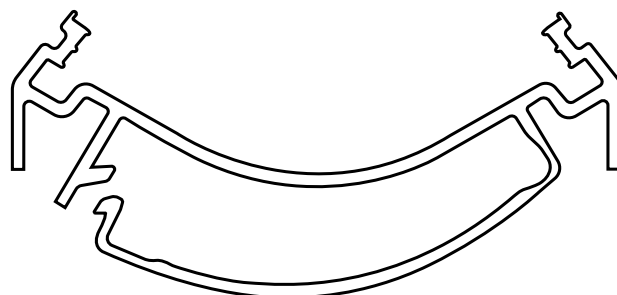


KABELFÜHRUNG, KAMERAHALTERUNG (OPTIONAL) UND ANDERE BEFESTIGUNGSOPTIONEN



Ihr Xeneon-Display besitzt eine integrierte RapidRoute-Kabelführung, um Ihren Schreibtisch übersichtlich zu halten. Um die Kabelführung an Ihre Bedürfnisse anzupassen, können Sie den Monitor mithilfe der vier anpassbaren Kabelclips an der Säule nach oben und unten schieben. Öffnen Sie die Kabelclips, indem Sie den Verschluss nach links drücken und am Kabelclip ziehen.

Falls Sie die Kabelclips entfernen müssen, entfernen Sie den Sockel von der Säule, indem Sie die Kabelclips nach unten und aus den Führungsschienen schieben. clips down and out of the channel guides.



KOMPATIBILITÄT MIT ELGATO FLEX ARM

An der Oberseite des Xeneon-Bildschirms befindet sich ein Konnektor für den Elgato Flex Arm und das Adapter-Kit für Kamerahalterungen (separat erhältlich) zum Befestigen einer Kamera. Dieses Zubehör ist direkt bei Corsair erhältlich.

- Xeneon Kamera-Adapter- & Kugelhalterungskit (CM-8900001)
- Elgato Flex Arm-S (10AAH9901) oder Flex Arm-L (10AAC9901)

A division of CORSAIR

Ein Einrichtungsvideo und eine Anleitung für die Kamerahalterung sind verfügbar unter

<https://www.corsair.com/xeneon-quickstart>



Flex Arm S



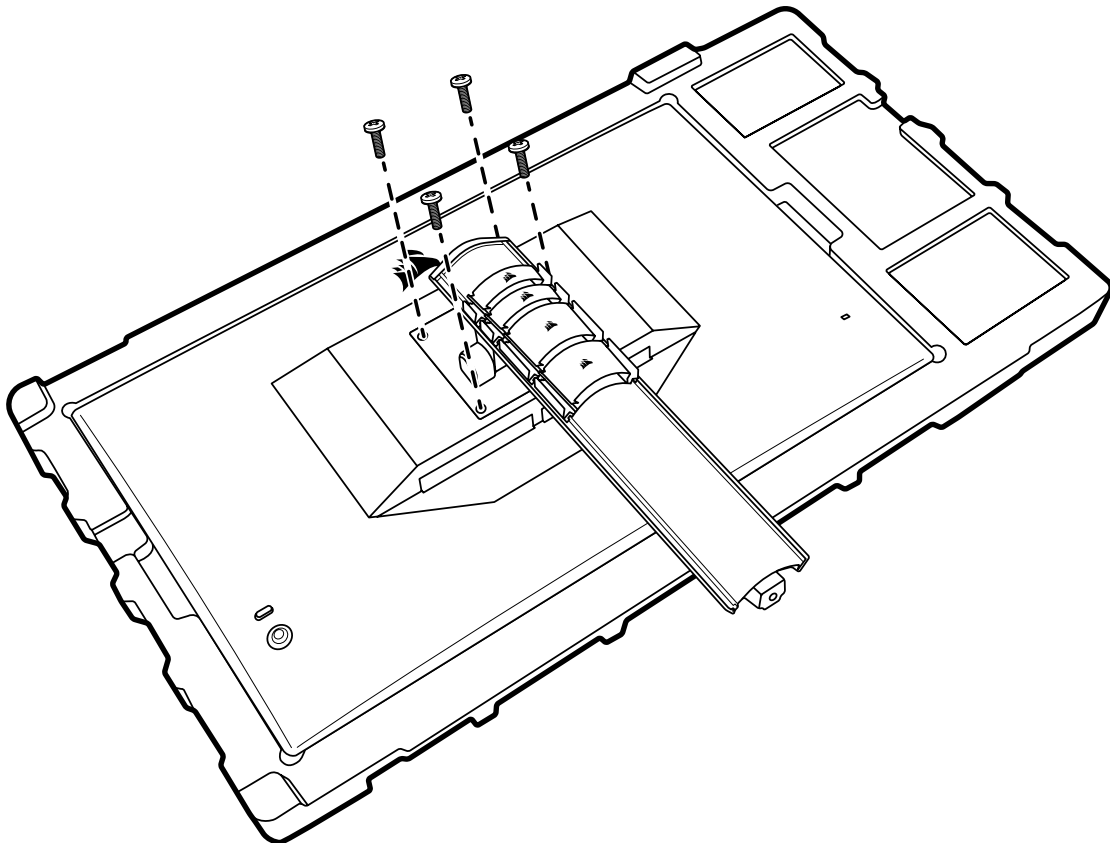
Flex Arm L



KOMPATIBILITÄT MIT WANDHALTERUNG

Bevor Sie Ihren Bildschirm mit einer kompatiblen Wandhalterung (VESA 100 mm × 100 mm) befestigen, beachten Sie Folgendes:

- Entfernen Sie den Standfuß mit einem Kreuzschlitzschraubenzieher vom Bildschirm.
- Die von Ihnen erworbene Befestigung für die Wandhalterung muss das Gewicht des Bildschirms tragen können.

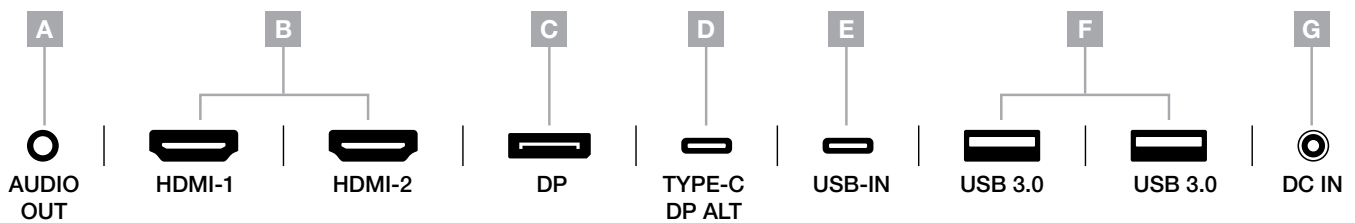


Lesen Sie die Anleitung zu Ihrer Wandhalterung, um sich über die korrekte Befestigung Ihres Bildschirms zu informieren.

ACHTUNG: Ihr Bildschirm verfügt über vier Bohrungen auf der Rückseite zur Befestigung einer VESA-Wandhalterung. Die Wandhalterung muss an allen vier Bohrungen befestigt werden. Wenn Sie nicht alle vier Bohrungen verwenden, kann Ihr Bildschirm herunterfallen und Sach- oder Personenschäden verursachen.

Hinweis: Schrauben zur Befestigung an der Wand sind nicht inbegriffen. Schrauben: Typ M4, 10 mm bis 12 mm Länge, je nach Wandhalterung

ANSCHLÜSSE



- A. 3,5-mm-Audiobuchse
Audioausgang von angeschlossenen HDMI-, DisplayPort- und USB-C-Alt-Modus-Geräten.
- B. HDMI 2.0-Anschlüsse
Die beiden HDMI-Eingänge sind als „HDMI1“ und „HDMI2“ gekennzeichnet.
- C. DisplayPort 1.4-Anschluss
Der DisplayPort-Eingang ist als „DisplayPort“-Eingang gekennzeichnet.
- D. USB-Typ C-Anschluss
Unterstützt DisplayPort Alt Mode und Upstream-USB-Eingang (Anschluss an USB-3.0-Anschlüssen). Ist als „TYPE-C“-Eingang gekennzeichnet. Dieser Anschluss oder der USB-Upstream-Anschluss muss mit einem USB-fähigen Anschluss an Ihrem Host-Gerät verbunden sein, um die Funktionen von CORSAIR iCUE und die nachfolgenden USB-3.0-Anschlüsse nutzen zu können.
- E. USB-Upstream-Anschluss
Upstream-USB-Eingang. Dieser Anschluss oder der USB-Typ C-Anschluss muss mit einem USB-fähigen Anschluss an Ihrem Host-Gerät verbunden sein, um die Funktionen von CORSAIR iCUE und die nachfolgenden USB-3.0-Anschlüsse nutzen zu können.
- F. USB-3.0-Anschlüsse
Zwei USB-Typ A-Anschlüsse mit 5 Gbit/s.
- G. DC-Eingang
Anschluss für den mitgelieferten AC-Adapter.

BETRIEB

Bedienelemente

○  — Ein-/Ausschalten

 — Drücken – Anzeigeeinstellungen aufrufen.

Nach oben – Schieberegler für Helligkeitsanpassung aufrufen.
Nach unten – Auswahl des Bildmodus aufrufen.
Link – Schieberegler für Lautstärkeanpassung aufrufen.
Rechts – Auswahl für die Eingangsquelle aufrufen.



Ihr Monitor verfügt über einen Joystick auf der hinteren, rechten Seite zum Aktivieren von Kurzbefehlen und zur Navigation in den Anzeigeeinstellungen. Beachten Sie, dass viele dieser Einstellungen auch in der Software CORSAIR iCUE gesteuert werden können, wenn der USB-Hub an den USB-Eingang Ihres Computers angeschlossen ist. Installieren Sie die neueste Version von iCUE (4.16 oder höher). Diese können Sie unter <https://www.corsair.com/de/de/icue> herunterladen.

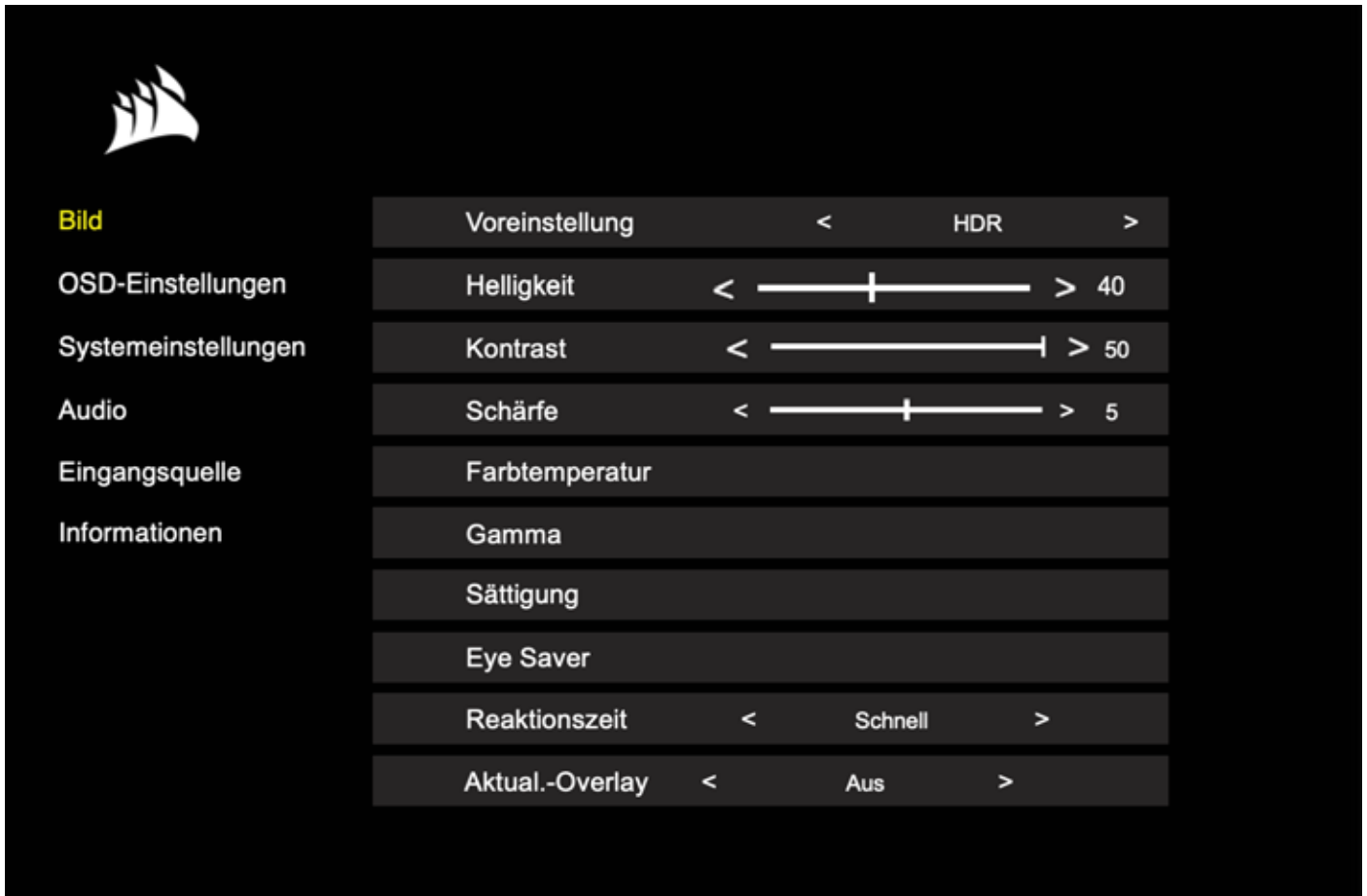
Bildschirmanzeige (OSD)

Wenn Sie den Joystick nach innen drücken, rufen Sie die Anzeigeeinstellungen Ihres Monitors auf. Sie können mit dem Joystick durch die Einstellungen navigieren. Wenn Sie den Joystick nach innen drücken, bestätigen Sie Ihre Auswahl.

BETRIEB

OSD – Bildeinstellungen

Das erste Menü mit der Bezeichnung „Bild“ enthält die folgenden Einstellungen zur Anpassung der allgemeinen Bildqualität.



BETRIEB

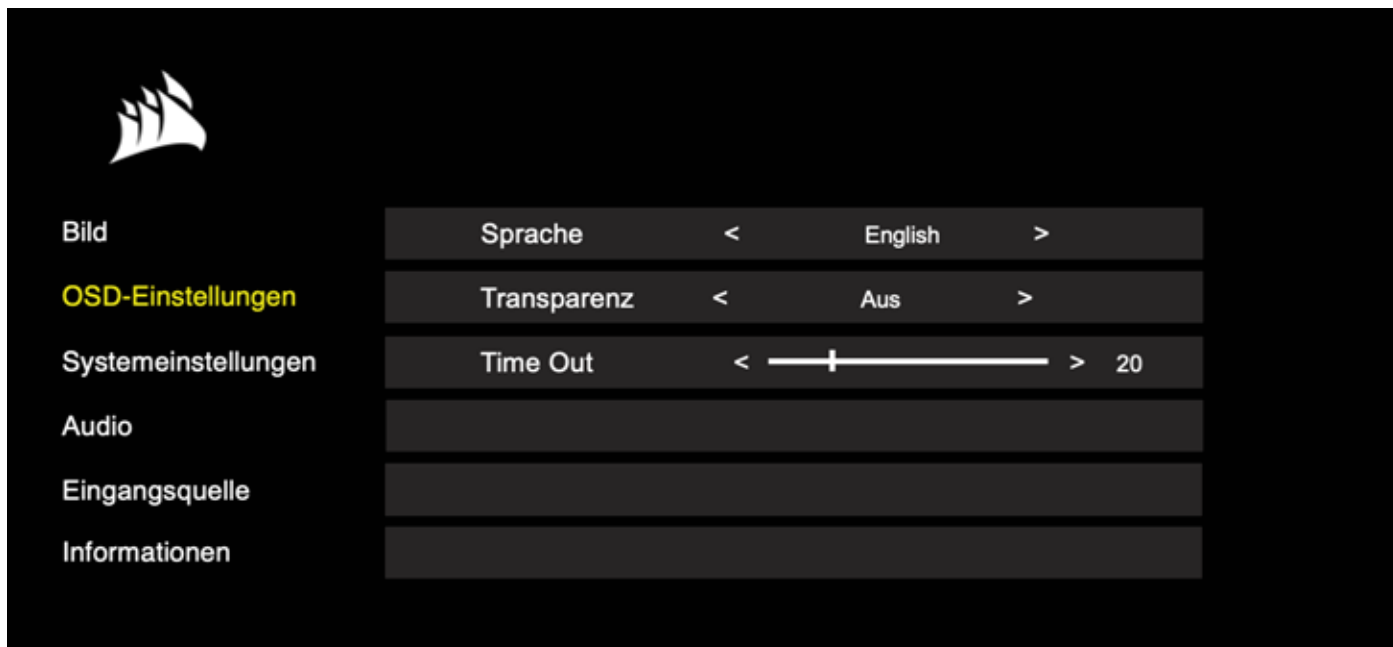
OSD – Bildeinstellungen

Einstellung	Optionen	Beschreibung
Bildmodus	Standard	Legt eine werkseitig kalibrierte Anzeigevoreinstellung für die allgemeine Verwendung und höchste Energieersparnis fest.
	Film	Legt eine für die Wiedergabe von Filmen optimierte Anzeigevoreinstellung fest.
	Text	Legt eine für das Lesen von Text optimierte Anzeigevoreinstellung fest.
	sRGB	Legt eine werkseitig kalibrierte Anzeigevoreinstellung für den sRGB-Farbraum fest.
	Kreativ	Legt eine werkseitig kalibrierte Anzeigevoreinstellung für Content-Creation-Aufgaben fest.
	Spiel	Legt eine für die Wiedergabe von Filmen optimierte Anzeigevoreinstellung fest.
	HDR	Legt eine Anzeigevoreinstellung fest, die für VESA Display-HDR400 zertifiziert ist.
Eye Saver	0–100	Passt die Stärke der Hintergrundbeleuchtung des Displays an.
Reaktionszeit	0–100	Passt den Kontrast des Displays an.
Aktual.-Overlay	0–5	Passt den Schärfefilter des Displays an und erhöht die Kantenschärfe.
MPRT	Kühl	Stellt die Farbtemperatur des Displays auf 9300K ein.
	Normal	Stellt die Farbtemperatur des Displays auf den Standardwert 6500K ein.
	Warm	Stellt die Farbtemperatur des Displays auf 5000K ein.
	Benutzerdefiniert	Ermöglicht die manuelle Einstellung der Farbtemperatur des Displays mit Schiebereglern zur Anpassung der Rot-, Blau- und Grünwerte.
Gamma	2.0, 2.2, 2.4	Passt das Verhältnis zwischen Farbe und Helligkeit an; die Voreinstellung ist 2.2.
Sättigung	0–10	Passt die Intensität der Displayfarben an.
Eye Saver	EIN oder AUS	Reduziert bei Aktivierung die Emission von blauem Licht auf dem Display.
Reaktionszeit	Normal, Schnell, Am schnellsten	Ermöglicht die Erhöhung der Geschwindigkeit, mit der Pixel zwischen Farben umschalten können, was zu einer Verringerung der Unschärfe bei sich schnell bewegenden Objekten führen kann.
Aktual.-Overlay	EIN oder AUS	Schaltet ein Overlay in der oberen rechten Ecke ein und aus, das die aktuelle Bildwiederholfrequenz des Monitors anzeigt, was für die Überwachung der Bilder pro Sekunde nützlich ist, wenn Adaptive Sync aktiviert ist.
MPRT	EIN oder AUS	Schaltet die Einstellung „Reaktionszeit von bewegten Bildern“ ein und aus, die bei Aktivierung die Unschärfe von bewegten Objekten reduzieren kann.

BETRIEB

OSD – OSD-Einstellung

Das zweite Menü mit der Bezeichnung „OSD-Einstellung“ enthält die folgenden Einstellungen zur Anpassung der Bildschirmanzeige (OSD).

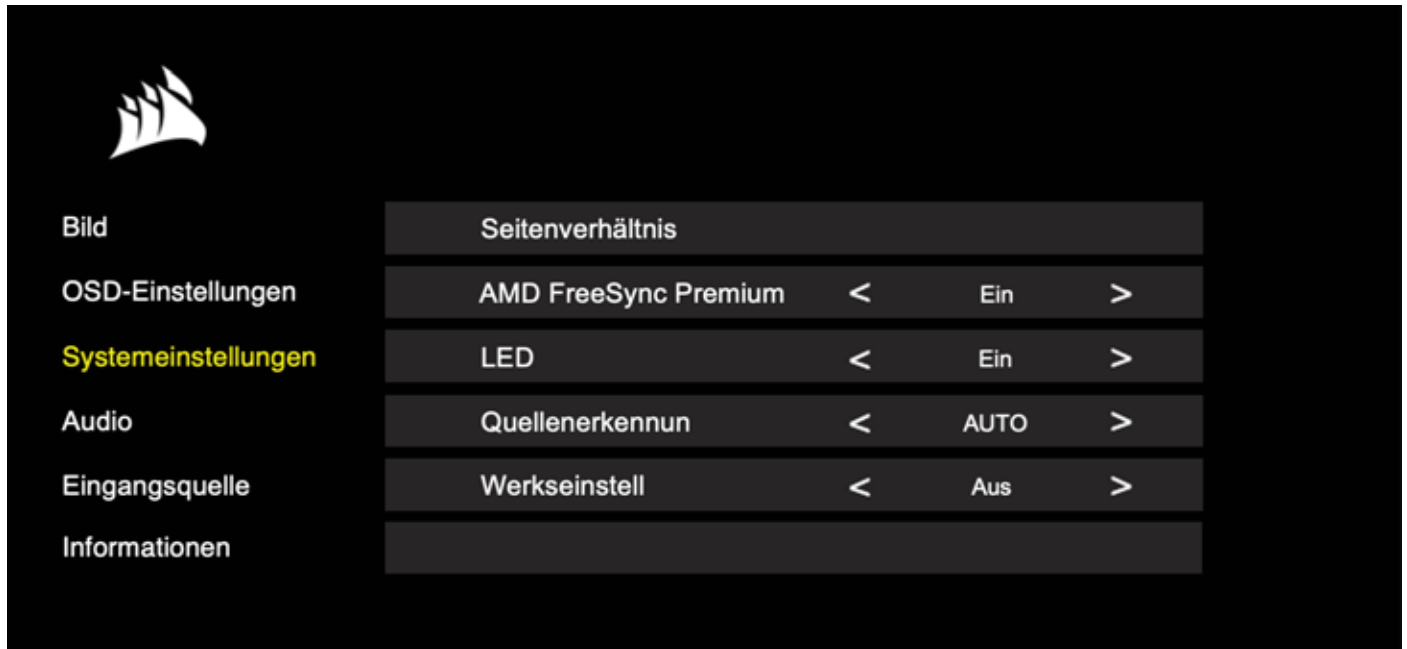


Einstellung	Optionen	Beschreibung
Sprache	Englisch Französisch Deutsch Italienisch Spanisch Japanisch Koreanisch Portugiesisch Russisch Chinese (traditionell)	Legt die Sprache des OSD fest.
Transparenz	EIN oder AUS	Legt fest, ob das OSD transparent oder undurchsichtig sein soll.
Timeout	10–60	Legt die Zeit (in Sekunden) fest, die das OSD auf dem Bildschirm angezeigt wird, bevor es ausgeblendet wird.

BETRIEB

System – Systemeinstellung

Das dritte Menü mit der Bezeichnung „Systemeinstellung“ enthält die folgenden Einstellungen zur Anpassung der internen Display-Einstellungen.



BETRIEB

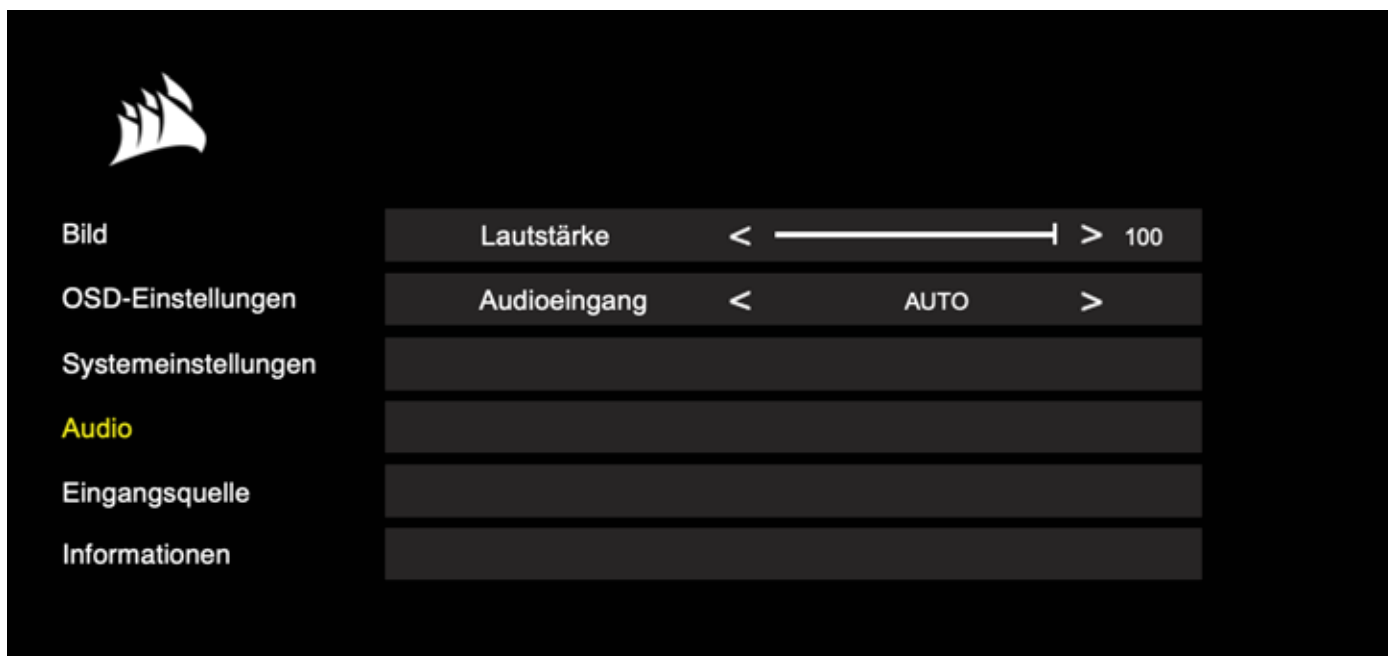
System – Systemeinstellung

Einstellung	Optionen	Beschreibung
Seitenverhältnis	Auto, 4:3, 16:9	Legt das Seitenverhältnis des Displays fest. Bei der Einstellung „Auto“ wird versucht, das Seitenverhältnis des Displays an das eingehende Videosignal anzupassen. Nicht verfügbar, wenn Adaptive Sync aktiviert ist.
AMD FreeSync Premium	EIN oder AUS	<p>Aktiviert oder deaktiviert die adaptive Synchronisierungsfunktion bei Verbindung mit einer kompatiblen GPU. Wählen Sie EIN, um Adaptive Sync für AMD FreeSync via HDMI zu aktivieren.</p> <p>Kompatibilität mit NVIDIA G-Sync ist bei Verbindung über ein DP-Kabel oder USB-C-Alt-Modus-Kabel mit einer kompatiblen GPU verfügbar. Für NVIDIA G-Sync-Funktionalität:</p> <ul style="list-style-type: none">• Installieren/Öffnen Sie die NVIDIA-Steuerung.• Wählen Sie die Option „G-Sync einrichten“ aus.• Markieren Sie das Kontrollkästchen „G-Sync-kompatibel aktivieren“.• Wählen Sie den RDD0013 aus.• Markieren Sie das Kontrollkästchen „Einstellungen für das ausgewählte Displaymodell aktivieren“. <p>Für den Zugriff auf die NVIDIA-Einstellungen ist gegebenenfalls ein Neustart erforderlich..</p>
LED	EIN oder AUS	Schaltet die LED-Stromanzeige auf der Vorderseite EIN oder AUS.
Erkennung der Quelle	AUTO oder MANUELL	Legt fest, ob das Display automatisch auf einen anderen Eingang umschaltet, wenn es ein Signal erkennt, oder ob manuell zwischen den Eingängen umgeschaltet werden muss.
USB-C-Alt-Modus (nur verfügbar, wenn das Display über den USB-C-Anschluss für Videosignale verbunden ist)	4-Lane 2-Lane	<p>Schaltet die Anzahl der zu verwendenden USB-Lanes am USB-C-Anschluss für Videosignale um.</p> <ul style="list-style-type: none">• 4-Lane-Modus ermöglicht eine Auflösung von bis zu 2560 × 1440 bei 165 Hz, reduziert jedoch die Geschwindigkeit der USB-Typ A-Anschlüsse auf 2.0.• 2-Lane-Modus ermöglicht bis zu 2560 × 1440 bei 120 Hz sowie eine 3.0-Geschwindigkeit der USB-Typ A-Anschlüsse.
Werkseinstellung	-	Setzt alle Monitoreinstellungen auf die Werkseinstellungen zurück.

BETRIEB

OSD – Audio

Im vierten Menü mit der Bezeichnung „Audio“ können Toneinstellungen für das Display vorgenommen werden.

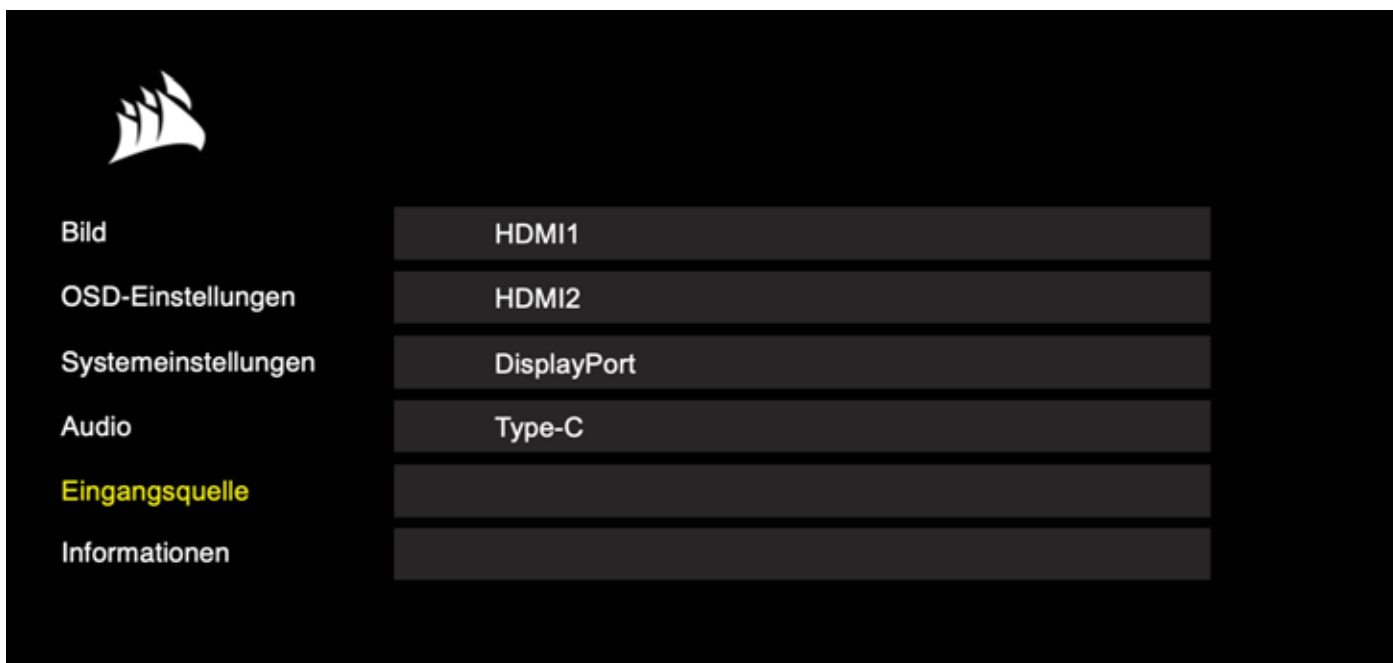


Einstellung	Optionen	Beschreibung
Lautstärke	0–100	Stellt die Lautstärke der Audioausgabe über die Kopfhörerbuchse ein.
Audio-Eingang	Auto, HDMI1, HDMI2, DisplayPort, USB-C	Legt fest, von welchem Eingang das Display den Ton an die Kopfhörerbuchse weiterleitet. Bei der Einstellung „Auto“ wird der aktuelle Eingang verwendet.

BETRIEB

OSD – Eingangsauswahl

Im fünften Menü mit der Bezeichnung „Eingangsauswahl“ kann zwischen den verschiedenen Display-Eingängen umgeschaltet werden.



Einstellung	Beschreibung
HDMI1	Schaltet auf das Gerät um, das an den Anschluss HDMI 1 angeschlossen ist.
HDMI2	Schaltet auf das Gerät um, das an den Anschluss HDMI 2 angeschlossen ist.
DisplayPort	Schaltet auf das Gerät um, das an den DisplayPort „DP“ angeschlossen ist.
TYPE-C	Schaltet auf das Gerät um, das an den Anschluss TYPE-C angeschlossen ist.

BETRIEB

OSD – Information

Stellt den aktuellen Einstellungsstatus für die wichtigsten Funktionsmerkmale bereit.

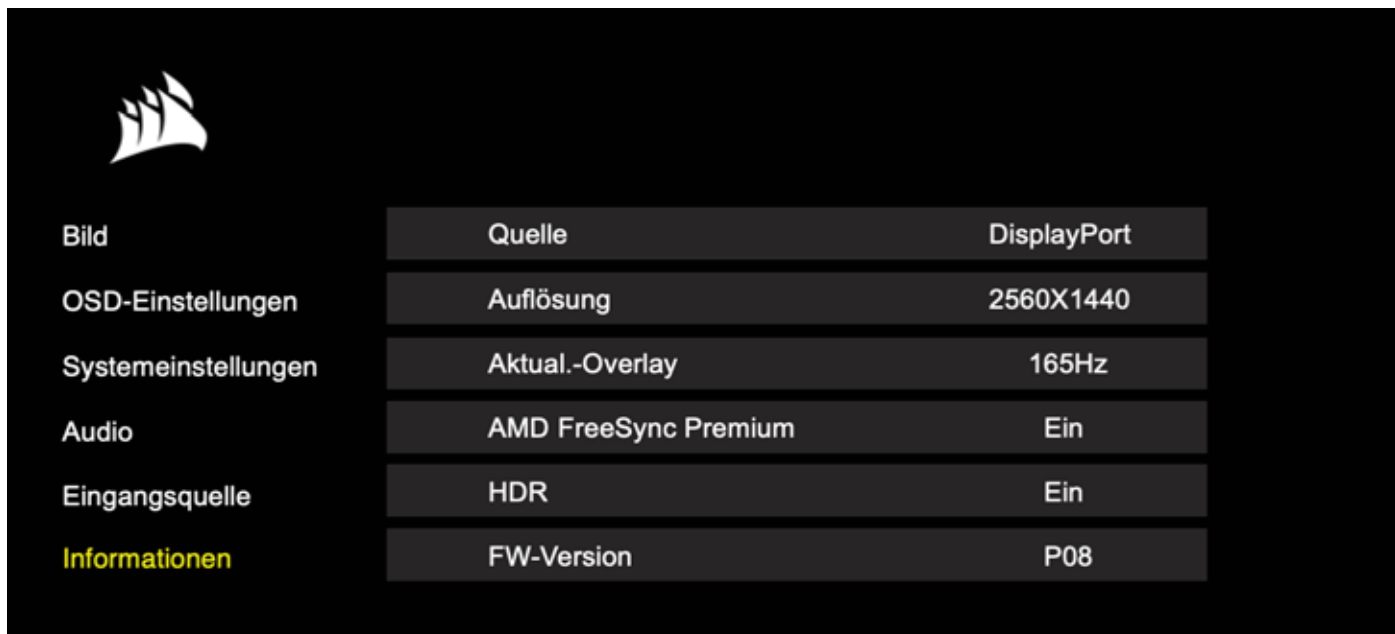
The image shows a screenshot of an OSD (On-Screen Display) information menu. It features a dark background with a white logo in the top left corner. A list of menu items is on the left, and a table of system settings is on the right. The 'Informationen' item is highlighted in yellow.

Bild	Quelle	DisplayPort
OSD-Einstellungen	Auflösung	2560X1440
Systemeinstellungen	Aktual.-Overlay	165Hz
Audio	AMD FreeSync Premium	Ein
Eingangsquelle	HDR	Ein
Informationen	FW-Version	P08

BETRIEB

Häufig gestellte Fragen / Problembehebung

Frage	Antwort
LED-Stromanzeige nicht an	Drücken Sie auf die Einschalttaste auf der Rückseite Ihres Monitors, um zu überprüfen, ob er eingeschaltet ist.
	Prüfen Sie, ob das Stromkabel sowohl in den Monitor als auch in das Netzteil eingesteckt ist.
	Prüfen Sie, ob die LED-Stromanzeige im Systemeinstellungsmenü des OSD eingeschaltet ist.
Keine Anzeige auf dem Bildschirm	Prüfen Sie, ob Ihr Monitor eingeschaltet ist.
	Prüfen Sie, ob das Videokabel ordnungsgemäß an den Monitor sowie an das Quellgerät angeschlossen ist.
	Überprüfen Sie das Videokabel auf Beschädigungen. Vermeiden Sie es, Videokabel und Verlängerungskabel von geringer Qualität zu verwenden.
	Überprüfen Sie, welcher Videoquelleingang für Ihren Monitor eingestellt ist (wenn die Funktion zur automatischen Quellenwahl im OSD deaktiviert ist).
	Schließen Sie ein anderes Quellgerät an, um den Videoeingang des Monitors zu testen.
	Schließen Sie das Quellgerät an einen anderen verfügbaren Monitor an, um den Videoausgang zu testen.
	Vermeiden Sie es, Geräte im laufenden Betrieb an den Monitor anzuschließen. Verbinden Sie den Monitor mit der Quelle, bevor Sie das Quellgerät einschalten.
Bild zu hell/dunkel	Passen Sie Helligkeit/Gamma/Kontrasteinstellungen über das OSD an.
	Setzen Sie den Monitor auf die Werkseinstellungen zurück.
Videosignal wird nicht unterstützt	Überprüfen Sie die Videoausgangseinstellungen des Quellgeräts. Der CORSAIR XENEON 32QHD165 Gaming-Monitor unterstützt folgende Eingangsaufösungen:

BETRIEB

Häufig gestellte Fragen / Problembehebung

Frage	Antwort
Unterstützt der CORSAIR XENEON 32QHD165 Video über USB-C?	Ja, der CORSAIR XENEON 32QHD165 unterstützt DisplayPort über USB-C durch den dedizierten TYPE-C DP ALT-Eingang. Für optimale Ergebnisse verwenden Sie das mitgelieferte Typ C-Kabel (1,5 m) oder ein hochwertiges USB-Typ C-Kabel, das USB 3.2 Gen 2 unterstützt.
Ich kann keine Geräte verwenden, die mit den USB-A-Anschlüssen an meinem Monitor verbunden sind, wenn er mit einem einzelnen USB-C-Kabel mit meinem Gerät verbunden ist, das den USB-C-Alt-Modus unterstützt.	Im USB-C-Alt-Modus wird standardmäßig der 4-Lane-Modus genutzt. Dies ermöglicht eine volle DisplayPort-Auflösung über USB-C, verhindert jedoch die Verwendung der USB-Typ A-Anschlüsse. Um die USB-Typ A-Anschlüsse bei ausschließlicher Verbindung über den TYPE-C DP ALT-Eingang zu nutzen, wechseln Sie in den 2-Lane-Modus. Dadurch wird die unterstützte Videoausgangsqualität beschränkt, um die USB-Typ A-Anschlüsse zu aktivieren, falls Peripheriegeräte an die USB-Typ A-Anschlüsse des Monitors angeschlossen werden. Alternativ können Sie das Quellgerät über den USB-Downstream-Anschluss bzw. den TYPE-C DP ALT-Anschluss verbinden. Dies ermöglicht eine volle Videoauflösung und USB-Anschluss-Funktionalität. Stellen Sie sicher, dass Sie ein hochwertiges USB-Typ C-Kabel verwenden, das USB 3.2 Gen 2 unterstützt.
Bild ist verzerrt	Überprüfen Sie die Einstellung für das Seitenverhältnis in den Systemeinstellungen. Die Standardeinstellung ist „Auto“. In bestimmten Fällen kann es jedoch erforderlich sein, ein Seitenverhältnis manuell einzustellen (z. B. bei bestimmten Kombinationen von Adaptern und Retro-Gaming-Konsolen).
Bild hat Farbprobleme	Überprüfen Sie das Videokabel auf Beschädigungen. Vermeiden Sie es, Videokabel und Verlängerungskabel von geringer Qualität zu verwenden.
	Setzen Sie den Monitor auf die Werkseinstellungen zurück.
	Passen Sie die Bildeinstellungen über das OSD an.
Artefakte auf dem Monitor	Überprüfen Sie das Videokabel auf Beschädigungen.
	Überprüfen Sie Ihr Quellgerät. Eine fehlerhafte Grafikkarte oder Gaming-Konsole erfordert womöglich die Kontaktaufnahme zum Hersteller.
Dead Pixel auf dem Monitor	CORSAIR bietet eine „Zero Dead Pixel“-Richtlinie für Monitorprodukte. Wenn ein oder mehr leuchtende Pixel oder sechs oder mehr schwarze Pixel vorhanden sind, wird der Monitor während des dreijährigen Garantiezeitraums umgetauscht.
Welche VESA-Halterung ist kompatibel?	Der CORSAIR XENEON 32QHD165 unterstützt eine 100 mm × 100 mm Standardhalterung. Der Monitor muss vom Standfuß entfernt werden. Verwenden Sie die Montageschrauben, die mit Ihrer VESA-Halterung mitgeliefert wurden.

BETRIEB

Häufig gestellte Fragen / Problembehebung

Frage	Antwort
Kann ich eine Webcam oder digitale Spiegelreflexkamera / spiegellose Kamera am Monitor befestigen?	Der CORSAIR XENEON 32QHD165 unterstützt Standard-Webcams, die auf dem oberen Rahmen des Displays platziert werden, sowie größere digitale Spiegelreflexkameras / spiegellose Kameras bei Verwendung eines Elgato Multi-Mount Adapter-Kits für XENEON bzw. eines Elgato Flex Arm L/S-Kits. (Sowohl das Adapter-Kit als auch die Flex Arm-Kits sind separat erhältlich.)
Mein CORSAIR XENEON-Monitor wird nicht von CORSAIR iCUE erkannt.	Überprüfen Sie, ob auf Ihrem PC die neueste Version von CORSAIR iCUE installiert ist. Der CORSAIR XENEON 32QHD165 wird von den iCUE-Versionen 4.15 oder höher unterstützt.
	Überprüfen Sie, ob das am USB-C-Upstream-Anschluss am Monitor und am USB 3.0-Anschluss Ihres PCs angeschlossene Kabel ordnungsgemäß verbunden ist. Vermeiden Sie es möglichst, den Monitor über einen USB-Hub oder ein Verlängerungskabel anzuschließen. Für optimale Ergebnisse empfehlen wir, das mit dem CORSAIR XENEON-Monitor mitgelieferte USB-C-Kabel zu verwenden.
Welche Optionen für adaptive Bildwiederholraten sind für den CORSAIR XENEON verfügbar?	Der CORSAIR XENEON 32QHD165 ist AMD FreeSync Premium-zertifiziert sowie kompatibel mit NVIDIA G-SYNC.
AMD FreeSync / G-SYNC sind nicht aktiviert.	Überprüfen Sie, ob AMD FreeSync über das OSD aktiviert wurde.
	Überprüfen Sie die Einstellungen Ihrer Grafikkarte, und stellen Sie sicher, dass AMD FreeSync / NVIDIA G-SYNC aktiviert ist. AMD FreeSync funktioniert über jeden der Videoanschlüsse. Die NVIDIA G-Sync-Kompatibilität funktioniert nur über DP- oder USB-C-Alt-Modus DP.
Der Monitor bietet nicht die Bildwiederholrate von 165 Hz.	Überprüfen Sie die Anzeigeeinstellungen Ihrer Grafikkarte / Ihres Systems, und stellen Sie sicher, dass die Bildwiederholrate von 165 Hz aktiviert wurde. Verfügbare Optionen finden Sie in der Tabelle mit den unterstützten Display-Modi im Anhang.
	Überprüfen Sie das Videokabel auf Beschädigungen. Vermeiden Sie es, Videokabel und Verlängerungskabel von geringer Qualität zu verwenden.

ANHANG

Technische Daten

Produktbezeichnung	XENEON 32QHD165
Teilenummer	CM-9020001
Gerät	32QHD165 / RDD0013
USB-Hub-ID	CORSAIR USB 3.0 Hub
Panel-Abmessungen	32" Diagonal
Display-Oberfläche	Blendfrei
Pixel pro Zoll	91,8
Seitenverhältnis	16:9
Native Auflösung	2560 x 1440 bei 165 Hz
Reaktionszeit (MPRT)	1 ms
Reaktionszeit (GtG)	<3ms
Displayfarben	16,7 Mio. (8-Bit-RGB)
Panel-Technologie	IPS mit Quantum Dot-Technologie
Flimmerfrei	Ja
Blickwinkel	178° (H) / 178° (V)
Spitzenhelligkeit	400 Nit (SDR) / 440 Nit (HDR)
Statisches Kontrastverhältnis	1000:1
HDR	VESA DisplayHDR 400
Farbraum (CIE 1976)	98 % (DCI-P3), 100 % (AdobeRGB), 100 % (sRGB)
Variable Bildwiederholrate	AMD FreeSync Premium-zertifiziert, NVIDIA G-Sync-kompatibel
HDMI-Eingang	2x HDMI 2.0
DisplayPort-Eingang	1x DisplayPort 1.4
USB-C-Eingang	1x DisplayPort 1.4 (USB-C Alt Mode), 15W Power Delivery, USB 5Gbps Data Upstream
USB-C-Upstream-Eingang	1x 5 Gbit/s USB-C
USB-A-Ausgang	2x 5 Gbit/s USB-A (5 V/0,9 A *2)
3,5-mm-Audioanschluss	Passthrough from video input

ANHANG

Technische Daten

Stromverbrauch (Ein)	68 W
Stromverbrauch (Ruhemodus)	<0,5 W
Stromverbrauch (Aus)	<0,3 W
VESA-Kompatibilität	100 mm × 100 mm
Abmessungen	732 mm × 607 mm × 316 mm (B × H × T)
Gewicht	9,5 kg
Neigungswinkel des Ständers	-5° / +20°
Schwenkwinkel des Ständers	-30° / +30°
Höhenanpassungsbereich des Ständers	110 mm
AC-Adapter	90 W
	Hinweis: Ihr Gerät ist mit dem folgenden Netzteil ausgestattet: Asian Power Geräts Inc. / DA-90J19

Unterstützte Display-Modi

Auflösung	Bildwiederholrate
640x480	60, 67, 72, 75Hz
800x600	56, 60, 72, 75Hz
1024x768	60, 70, 75Hz
1280x1024	60, 75Hz
1440x900	60Hz
1680x1050	60Hz
1920x1080	30, 50, 60, 100, 120Hz
2560x1440	30*, 60, 120, 144*, 165Hz**
3840x2160***	30, 60Hz

*Nur HDMI.

**Nur DisplayPort/USB-C-Alt-Modus (4-Lane).

***Bild wird auf native Auflösung herunterskaliert..

ANHANG

Standardwerte Bild-Voreinstellungen

Einstellung	Standard	Film	Spiel	Text	Kreativ	sRGB	HDR
Helligkeit	Variiert nach Region*	100	100	30	100	27	100
Kontrast	50	50	50	50	50	50	50
Schärfe	5	7	6	5	5	5	5
Farbtemperatur	Normal	Normal	Normal	Warm	Normal	sRGB	Normal
Gamma	2.2	2.2	2.2	2.2	2.2	sRGB	2.2
Sättigung	0	2	1	0	0	0	0
Low Blue Light	Aus	Aus	Aus	Aus	Aus	Aus	Aus
Reaktionszeit	Schnell	Schnell	Schnell	Normal	Normal	Normal	Schnell
MPRT	Aus	Aus	Aus	Aus	Aus	Aus	Aus

*Standardhelligkeit variiert je nach Region

- Nordamerika = 40
- Europe = 30
- GB = 30
- Asien = 60

HDMI-Impressum



HDMI

Die angemeldeten Markenzeichen HDMI und High-Definition Multimedia Interface sowie das HDMI-Logo sind Marken bzw. eingetragene Marken von HDMI Licensing Administrator, Inc. in den USA und anderen Ländern.

Die Begriffe HDMI und High-Definition Multimedia Interface sowie das HDMI-Logo sind Marken bzw. eingetragene Marken von HDMI Licensing Administrator, Inc.

SOMMARIO

Avvertenza	2
Contenuto della confezione	3
Assemblaggio	4
Regolazione di inclinazione, rotazione e altezza	5
Gestione cavi, supporto telecamera (facoltativo) e altre opzioni di montaggio	6
Connettività	9
Area operativa	10
Controlli	10
Visualizzazione OSD (On-Screen Display)	10
OSD – Impostazioni immagine	11
OSD – Impostazione OSD	13
OSD – Impostazione di sistema	14
OSD – Audio	16
OSD – Selezione ingresso	17
OSD – Informazioni	18
Domande frequenti/Risoluzione dei problemi	19
Specifiche	22
Specifiche tecniche	22
Modalità di visualizzazione supportate	23
Default Immagine Preset Values	24

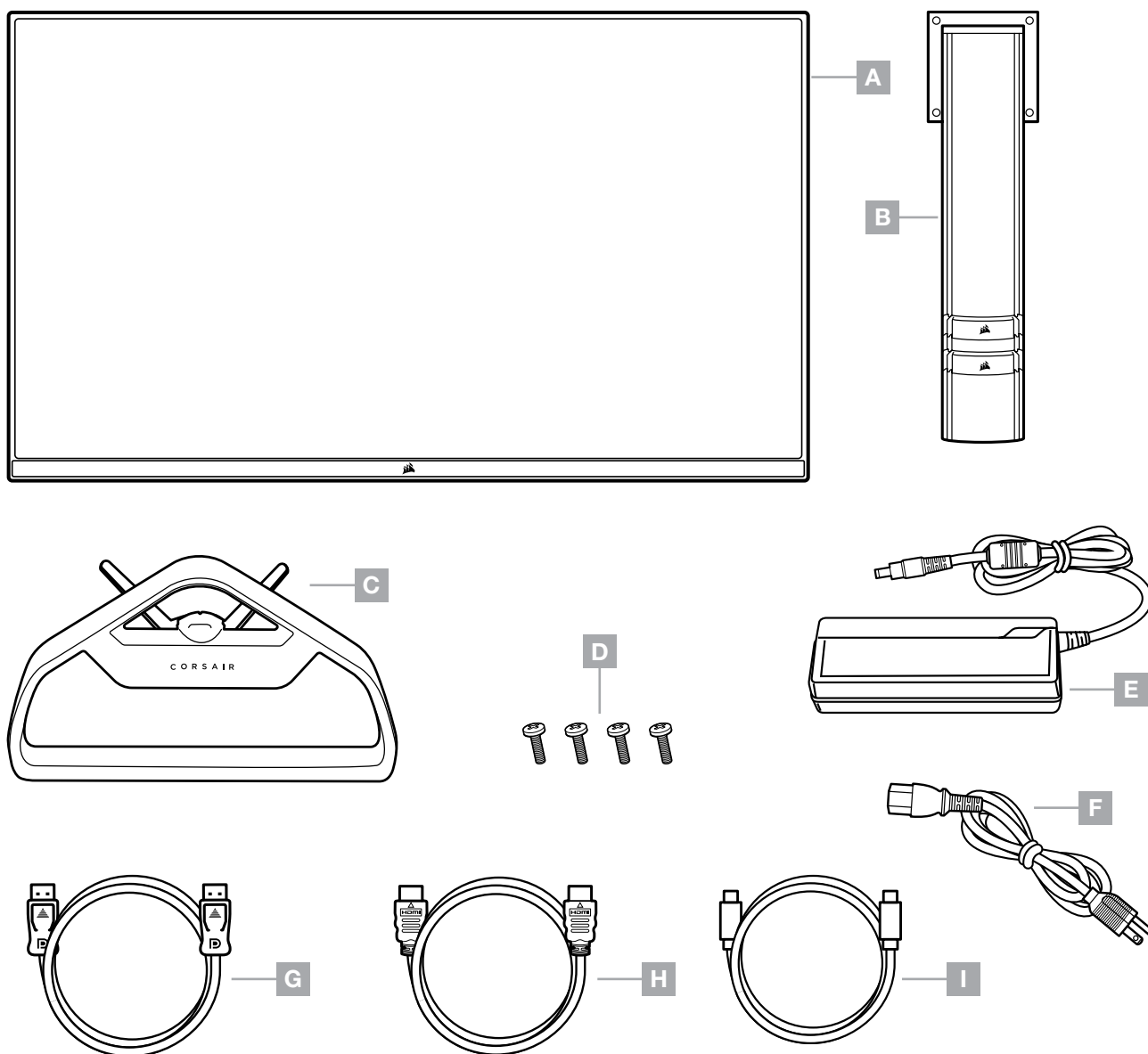


Scansiona il codice QR per
la Guida di avvio rapido e i
video di configurazione

AVVERTENZA

- Utilizzare gli accessori in dotazione con il monitor o quelli consigliati dal produttore.
- Tenere la confezione in plastica fuori dalla portata dei bambini.
- Prima di collegare il monitor alla presa di alimentazione, assicurarsi che la tensione nominale del cavo di alimentazione sia compatibile con le specifiche in vigore nel paese di residenza.
- La spina del cavo di alimentazione deve essere inserita in una presa di corrente correttamente collegata a massa e cablata.
- Non toccare la spina con le mani bagnate. Potrebbe causare scosse elettriche.
- Posizionare il monitor su un appoggio stabile e in un luogo ben ventilato.
- Non posizionare il monitor in prossimità di fonti di calore come radiatori o alla luce diretta del sole.
- Il monitor dispone di fori per la ventilazione. Non coprire o ostruire i fori per la ventilazione.
- Non utilizzare il monitor in prossimità di acqua, bevande o altro tipo di liquido. Eventuali inosservanze potrebbero provocare scosse elettriche o danneggiare il monitor.
- Scollegare il cavo di alimentazione del monitor prima di procedere alla pulizia.
- Poiché la superficie dello schermo può essere facilmente graffiata, non toccare tale superficie con oggetti duri o taglienti. Utilizzare un panno morbido, anziché un tessuto, per pulire lo schermo. Se necessario, utilizzare un detergente per vetri per pulire il dispositivo. Non spruzzare il detergente direttamente sullo schermo.
- Scollegare il cavo di alimentazione se il dispositivo non viene utilizzato per molto tempo.
- Non smontare o riparare il monitor.

CONTENUTO SCHERMO XENEON 32QHD165



A – PANNELLO SCHERMO
XENEON 32QHD165

B – MONTANTE

C – SUPPORTO

D – VITI DI MONTAGGIO (4)

E – ADATTATORE AC

F – CAVO DI ALIMENTAZIONE AC

G – DISPLAYPORT CABLE (1.5M)

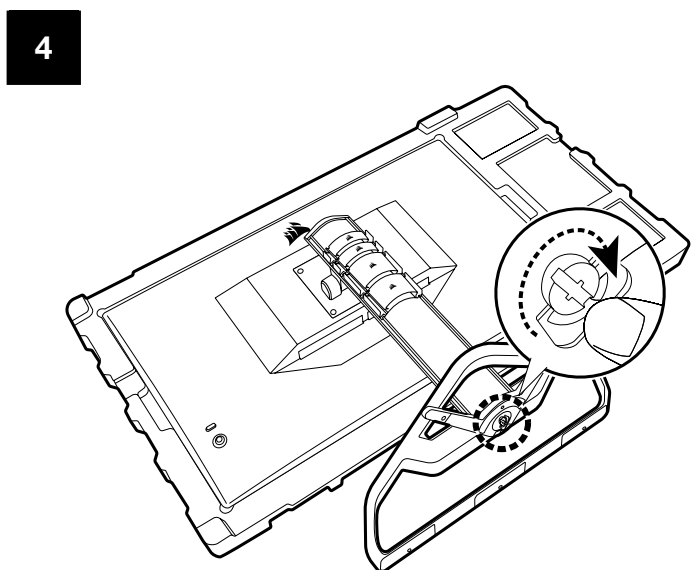
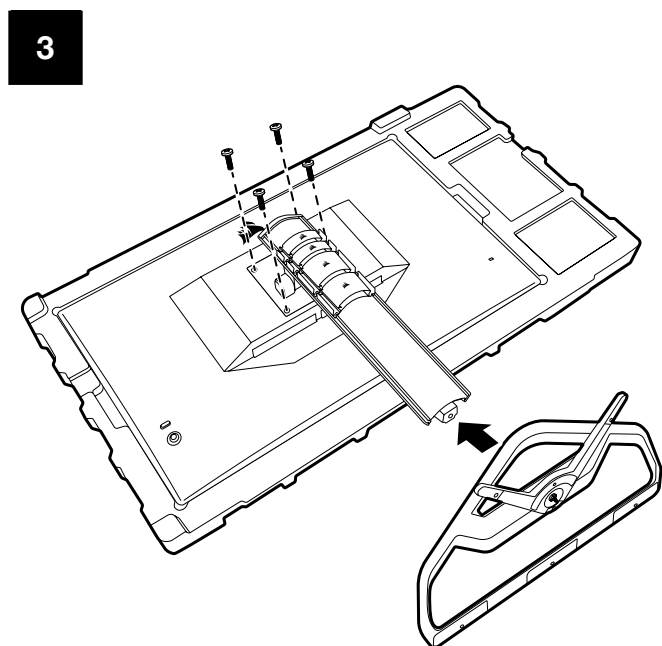
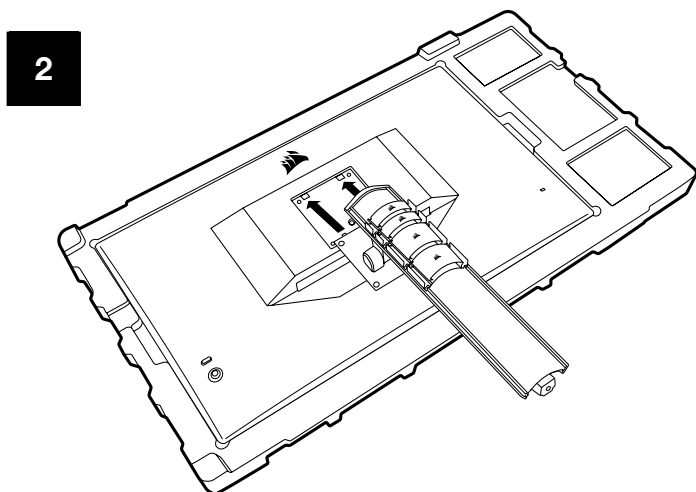
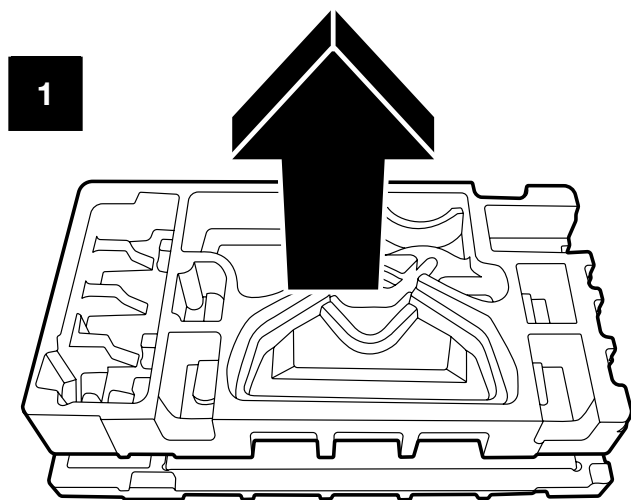
H – CAVO HDMI (1,5 M)

I – CAVO USB C (1,5 M)

ASSEMBLAGGIO

Prima di iniziare, è necessario disporre di un cacciavite a stella.

1. Rimuovere lo strato superiore di polistirolo che protegge gli accessori e il supporto per estrarre la parte posteriore del pannello.
2. Aprire con cura la confezione di polistirolo che copre il pannello (vedere Immagine 1) per estrarre la superficie di installazione. Non rimuovere il pannello dalla confezione.
3. Allineare il sostegno del monitor alle guide di montaggio nella parte posteriore del pannello (vedere Immagine 2). Far scorrere i ganci superiori all'interno delle guide di montaggio nella parte posteriore del pannello. Utilizzare un cacciavite Phillips, fissare il supporto al pannello con le 4 viti.
4. Collegare la base al supporto del monitor (vedere Immagine 3), quindi stringere le viti di bloccaggio nella parte inferiore del sostegno (vedere Immagine 4).
5. Rimuovere con cura il monitor dalla confezione e posizionarlo in posizione verticale sul tavolo. Non toccare la parte del pannello mentre si solleva il monitor.



REGOLAZIONE DI INCLINAZIONE, ROTAZIONE E ALTEZZA

Il display Xeneon è dotato di un supporto elegante e resistente di cui è possibile regolare l'inclinazione, la rotazione e l'altezza

- Inclinazione -5° / $+20^{\circ}$
- Rotazione $\pm 30^{\circ}$
- Altezza regolabile di 110 mm (497 mm ~ 607 mm)

Regolazione



Di inclinazione, rotazione e altezza

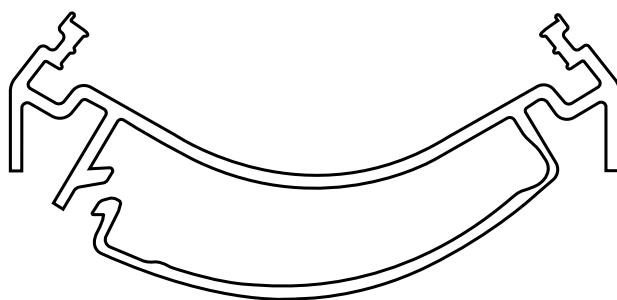


GESTIONE CAVI, SUPPORTO TELECAMERA (FACOLTATIVO) E ALTRE OPZIONI DI MONTAGGIO



Lo schermo Xeneon dispone del sistema RapidRoute integrato per la gestione dei cavi per aiutare a tenere in ordine la propria postazione. Ci sono 4 morsetti per cavi regolabili che consentono di far scorrere il supporto dello schermo e di personalizzare la gestione dei cavi in base alle esigenze. Aprire ciascun morsetto per cavi premendo la chiusura a pressione verso sinistra e tirare il morsetto verso l'esterno per estrarlo.

Nel caso in cui sia necessario rimuovere i morsetti per cavi, rimuovere la base dal supporto facendo scorrere i morsetti verso il basso e quindi fuori dalle guide.



COMPATIBILITÀ CON ELGATO FLEX ARM

La parte superiore del sostegno del display Xeneon dispone di un connettore da 1/4" che consente di aggiungere Elgato Flex Arm e Camera Mounting Adapter Kit (venduti separatamente) in modo da posizionare una telecamera nella parte superiore del display Xeneon. È possibile acquistare questi accessori direttamente da Corsair.

- Xeneon Camera Adapter & Ball Mount Kit (CM-8900001)
- Elgato Flex Arm-S (10AAH9901) o Flex Arm-L (10AAC9901)

A division of CORSAIR



Setup video and instructions for Camera Mount is available at <https://www.corsair.com/xeneon-quickstart>



Flex Arm S



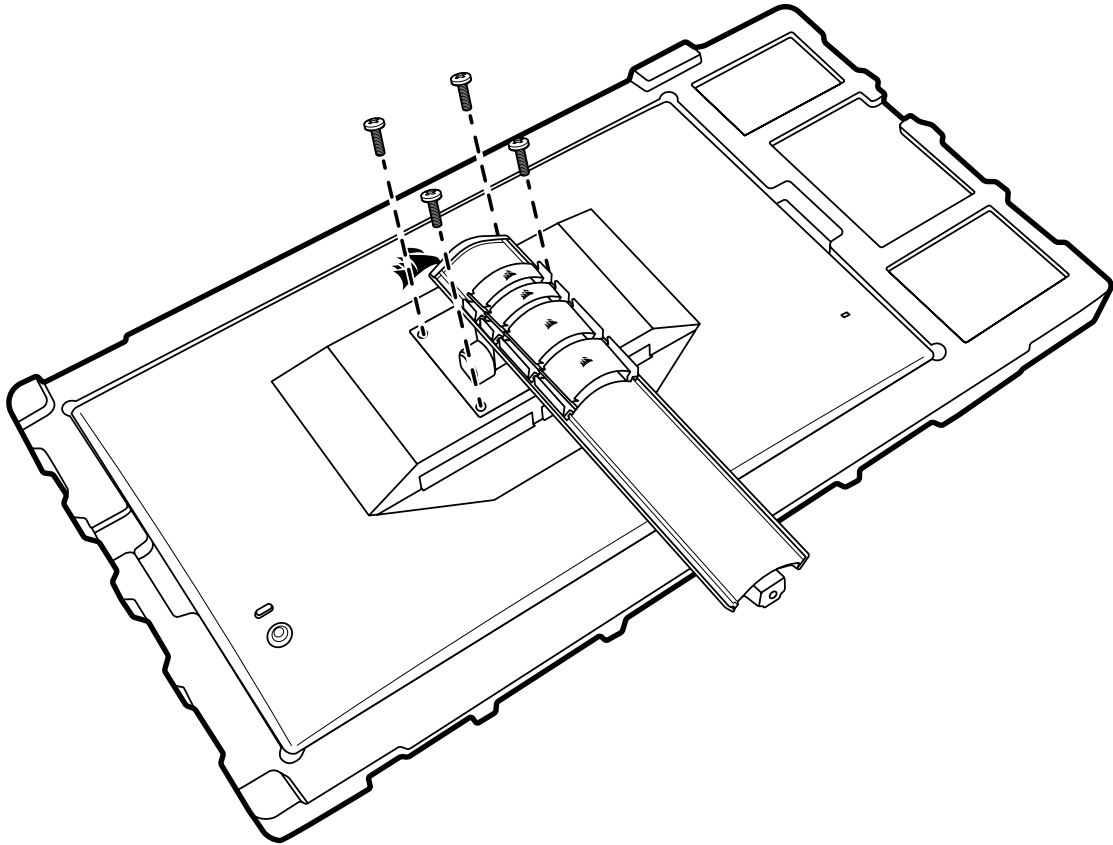
Flex Arm L



COMPATIBILITÀ CON SUPPORTO DA PARETE

Prima di posizionare il display mediante il supporto da parete compatibile (VESA 100 mm x 100 mm) assicurarsi:

- Di aver rimosso il sostegno dal display mediante una vite Phillips
- Che la staffa di montaggio da parete acquistata supporti l'altezza del display

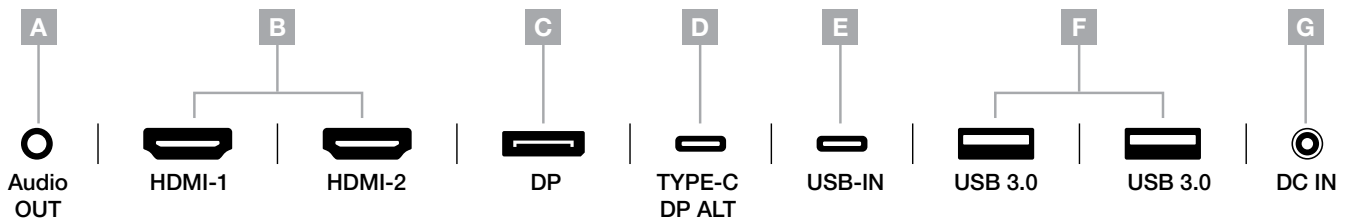


Di consultare le istruzioni fornite con il supporto da parete per ulteriori informazioni sulla modalità corretta di montaggio.

AVVERTENZA: Il display presenta quattro fori di montaggio VESA nella parte posteriore. È necessario fissare una staffa di montaggio da parete a tutte e quattro i fori. In caso contrario, il display potrebbe cadere e provocare danni a cose o persone.

Nota: Le viti per il montaggio su parete non sono incluse. Viti: tipo M4, di lunghezza da 10 mm a 12 mm, a seconda del supporto da parete

CONNETTIVITÀ




- A. Jack Audio da 3,5 mm:
output Audio mediante collegamento HDMI, DisplayPort e dispositivi con modalità Alt USB-C.
- B. Porte HDMI 2.0:
porta di ingresso HDMI doppia, corrispondente alle porte di ingresso “HDMI1” e “HDMI2”.
- C. Porta DisplayPort 1.4:
la porta di ingresso DisplayPort corrisponde alla porta di ingresso “DisplayPort”.
- D. Porta USB Tipo C:
supporta le porte di ingresso con modalità Alt DisplayPort e la porta USB upstream (per il collegamento alle porte USB 3.0). Corrisponde alla porta “TIPO C”. È necessario collegare questa porta o la porta upstream a una porta compatibile con USB sul dispositivo host per supportare la funzionalità CORSAIR iCUE e le porte USB 3.0 downstream.
- E. Porta USB upstream:
porta di ingresso USB upstream. È necessario collegare questa porta o la porta Tipo C a una porta compatibile con USB sul dispositivo host per supportare la funzionalità CORSAIR iCUE e le porte USB 3.0 downstream.
- F. Porte USB 3.0:
porte USB doppie Tipo A da 5 Gbps.
- G. Ingresso DC:
collegamento all’adattatore AC incluso.

AREA OPERATIVA

Controlli

 Alimentazione On/Off

 Press (Pressione): apre le impostazioni di visualizzazione

Up (Su): visualizza il cursore della luminosità
Down (Giù): visualizza il selettore Modalità immagine
Left (Sinistra): visualizza il cursore del volume
Right (Destra): apre il selettore Origine output



Lo schermo include un joystick nella parte posteriore, sul lato destro, che consente di utilizzare i tasti di scelta rapida e di sfogliare le impostazioni di visualizzazione. Nota: è possibile controllare molte delle impostazioni anche mediante il software CORSAIR iCUE se si dispone di un hub USB collegato al computer mediante porta USB IN. Installare l'ultima versione di iCUE (4.16 o successiva) disponibile all'indirizzo <https://www.corsair.com/us/en/icue>.


Visualizzazione OSD (On-Screen Display)

Per accedere alle impostazioni di visualizzazione dello schermo, premere il joystick verso l'interno. È possibile utilizzare il joystick per sfogliare le impostazioni. Per confermare una selezione, premere il joystick verso l'interno.

AREA OPERATIVA

OSD – Impostazioni immagine

Il primo menu, con l'etichetta "Immagine", contiene le seguenti impostazioni che consentono di regolare la qualità generale dell'immagine.



The screenshot displays the OSD menu for image settings. On the left, a vertical list of menu items is shown, with 'Immagine' highlighted in yellow. The main area shows the 'Immagine' menu with various settings and their current values or options.

Menu Item	Setting	Value/Option
Immagine	Preset	< HDR >
Impostazione OSD	Luminosità	< [Slider] > 40
Impostazione sistema	Contrasto	< [Slider] > 50
Audio	Nitidezza	< [Slider] > 5
Sorgente di ingresso	Temp. colore	
Informazioni	Gamma	
	Saturazione	
	Protezione occhi	
	Tempo dirisposta	< Rapida >
	Aggiorna overlay	< OFF >

AREA OPERATIVA

OSD – Impostazioni immagine

Impostazione	Opzioni	Descrizione
Modalità immagine	Standard	Seleziona un'impostazione predefinita di fabbrica calibrata per l'utilizzo generale e il massimo risparmio energetico.
	Film	Seleziona un'impostazione predefinita dello schermo ottimizzata per la riproduzione di film.
	Testo	Seleziona un'impostazione predefinita dello schermo ottimizzata per la lettura di testo.
	sRGB	Seleziona un'impostazione predefinita di fabbrica calibrata per lo spazio colore sRGB.
	Creatività	Seleziona un'impostazione predefinita di fabbrica calibrata per le attività di creazione di contenuti.
	Gioco	Seleziona un'impostazione predefinita dello schermo ottimizzata per i giochi con movimenti rapidi.
	HDR	Seleziona un'impostazione dello schermo con certificazione VESA DisplayHDR400.
Luminosità	0-100	Regola l'intensità della retroilluminazione dello schermo.
Contrasto	0-100	Regola il contrasto dello schermo.
Nitidezza	0-5	Regola il filtro della nitidezza dello schermo, consentendo di aumentare il livello di dettaglio.
Temperatura di colore	Fredda	Imposta la temperatura di colore dello schermo su 9300K.
	Normale	Imposta la temperatura di colore dello schermo su 6500K Standard.
	Calda	Imposta la temperatura di colore dello schermo su 5000K.
	Personalizzata	Consente di impostare manualmente la temperatura del colore dello schermo mediante i cursori di controllo per i livelli di rosso, blu e verde.
Gamma	2.0, 2.2, 2.4	Regola la relazione tra colore e luminosità; il valore predefinito è 2.2.
Saturazione	0-10	Regola l'intensità dei colori dello schermo.
Protezione occhi	ON o OFF	Quando è attiva, riduce le emissioni di luce blu.
Tempo di risposta	Normale, Rapido, Rapidissimo	Consente di aumentare la velocità con cui i pixel possono passare da un colore all'altro, consentendo di ridurre la sfocatura degli oggetti in rapido movimento.
Overlay aggiornamento	ON o OFF	Consente di attivare o disattivare un overlay nell'angolo superiore destro dello schermo che mostra la frequenza di aggiornamento attuale dello schermo, utile per il tracking dei fotogrammi al secondo quando è attiva la funzione Adaptive Sync.
MPRT	ON o OFF	Attiva o disattiva l'impostazione "Tempo di risposta immagine in movimento", che consente di ridurre la sfocatura degli oggetti in movimento quando impostata su "On".

AREA OPERATIVA

OSD – Impostazione OSD

Il secondo menu, con l'etichetta "Impostazione OSD", contiene le seguenti impostazioni che consentono di regolare la visualizzazione dell'immagine in sovrapposizione (OSD).

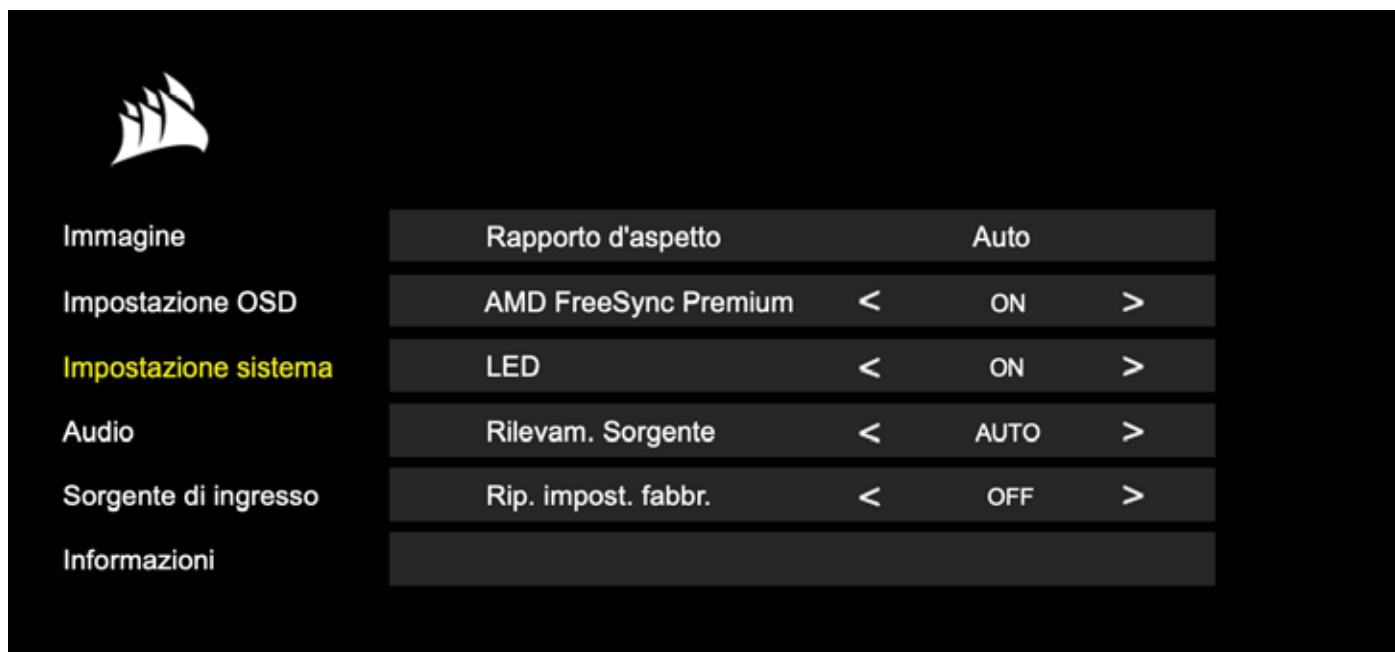


Impostazione	Opzioni	Descrizione
Lingua	Inglese Francese Tedesco Italiano Spagnolo Giapponese Coreano Portoghese Russo Cinese (tradizionale)	Seleziona la lingua dell'OSD.
Trasparenza	ON o OFF	Imposta l'OSD in modo che sia trasparente o opaco.
Timeout	10-60	Regola la durata (in secondi) in cui l'OSD viene visualizzato sullo schermo prima di sparire.

AREA OPERATIVA

OSD – Impostazione di sistema

Il terzo menu, denominato “Impostazione di sistema”, contiene le seguenti opzioni che consentono di regolare le impostazioni interne dello schermo.



AREA OPERATIVA

OSD – Impostazione di sistema

Impostazione	Opzioni	Descrizione
Proporzioni	Auto, 4:3, 16:9	Seleziona le proporzioni dello schermo “Auto” tenterà di far corrispondere le proporzioni dello schermo al segnale video in entrata. Non disponibile se è abilitato Adaptive Sync.
AMD FreeSync Premium	ON o OFF	<p>Abilita o disabilita la funzionalità Adaptive Sync quando connesso a una GPU compatibile. Selezionare ON per abilitare Adaptive Sync per AMD FreeSync mediante HDMI..</p> <p>Supporta NVIDIA G-Sync quando connesso tramite cavo DP o cavo in modalità Alt USB-C a una CPU compatibile. Per le funzionalità NVIDIA G-Sync:</p> <ul style="list-style-type: none">• Install/Open NVIDIA Control Panel• Selezionare “Configura G-Sync”• Selezionare la casella di controllo “Abilita compatibilità G-Sync”• Select the 32QHD165/RDD0013• Selezionare la casella di controllo “Abilita le impostazioni per il modello di visualizzazione selezionato”. <p>Potrebbe essere necessario riavviare il sistema per accedere alle impostazioni NVIDIA.</p>
LED	ON o OFF	Selezionare ON o OFF sugli indicatori LED di alimentazione
Rilevamento sorgente	AUTO o MANUALE	Consente di impostare se lo schermo passa automaticamente a un ingresso differente se rileva un segnale o se è necessario selezionare l’ingresso manualmente.
Modalità Alt USB-C (disponibile solo quando il display è connesso tramite la porta video USB-C)	4 corsie 2 corsie	<p>Consente di selezionare il numero di canali USB da utilizzare sulla porta USB-C per la riproduzione video.</p> <ul style="list-style-type: none">• La modalità 4 corsie offre una risoluzione di massimo 2560x1440 a 165Hz, tuttavia riduce la velocità delle porte USB-A a USB 2.0• La modalità 2 corsie offre una risoluzione di massimo 2560x1440 a 120Hz ma consente di mantenere la velocità delle porte USB-A a USB 3.0
Ripristino impostazioni predefinite	-	Ripristina tutte le impostazioni dello schermo alle impostazioni predefinite di fabbrica.

AREA OPERATIVA

OSD – Audio

Il quarto menu, con l’etichetta “Audio”, consente di controllare le impostazioni audio dello schermo.

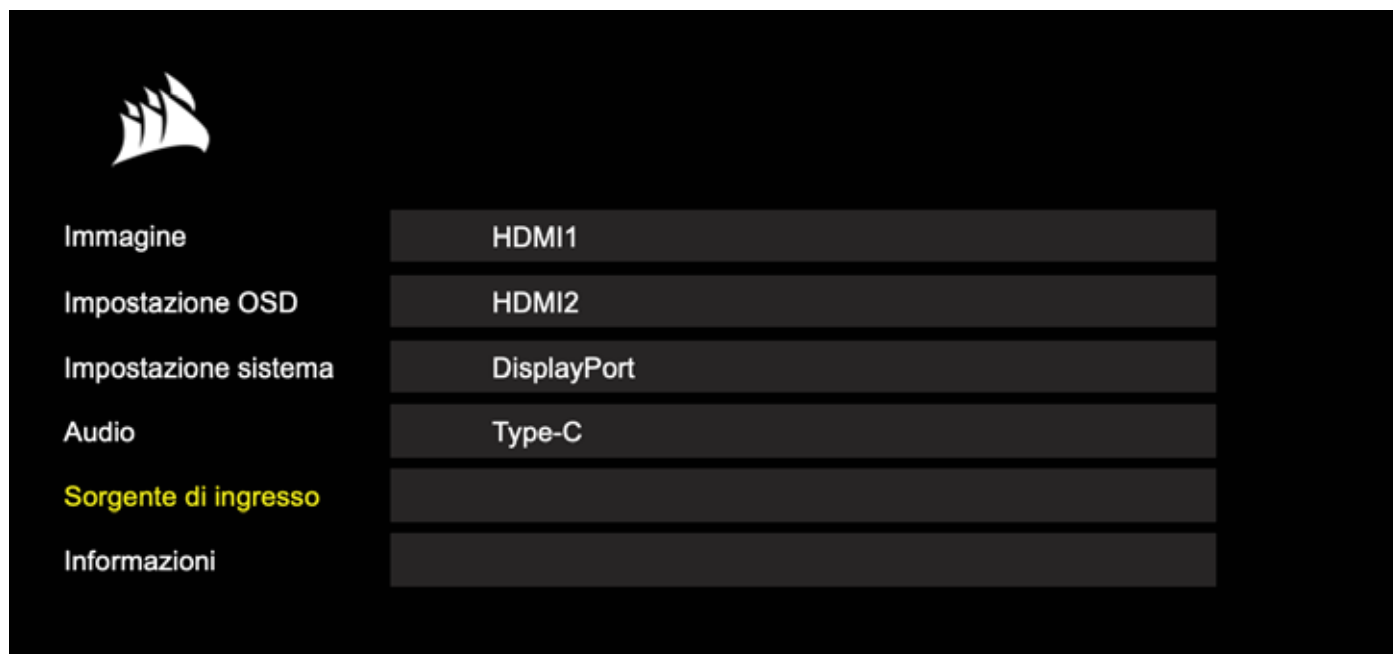


Impostazione	Opzioni	Descrizione
Volume	0-100	Regola il volume dell’output audio dal jack delle cuffie.
Audio in ingresso	Auto, HDMI-1, HDMI-2, DisplayPort, USB-C	Seleziona l’ingresso dal quale l’audio viene trasmesso al jack delle cuffie dallo schermo. “Auto” utilizzerà l’ingresso corrente.

AREA OPERATIVA

OSD – Selezione ingresso

Il quinto menu, con l'etichetta "Selezione ingresso", consente di selezionare tra le differenti opzioni di ingresso dello schermo.



Impostazione	Descrizione
HDMI-1	Seleziona il dispositivo collegato alla porta HDMI-1.
HDMI-2	Seleziona il dispositivo collegato alla porta HDMI-2.
DisplayPort	Seleziona il dispositivo collegato alla porta DisplayPort "DP".
TYPE-C	Seleziona il dispositivo collegato alla porta TIPO C.

AREA OPERATIVA

OSD – Informazioni

Indica lo stato attuale delle impostazioni per le funzionalità chiave.



Immagine	Sorgente	DisplayPort
Impostazione OSD	Risoluzione	2560X1440
Impostazione sistema	Aggiorna overlay	165Hz
Audio	AMD FreeSync Premium	ON
Sorgente di ingresso	HDR	ON
Informazioni	Versione FW	P08

AREA OPERATIVA

Domande frequenti/Risoluzione dei problemi

Domanda	Risposta
LED di alimentazione non attivo	Premere il pulsante di alimentazione nella parte posteriore del monitor per verificare se è impostato su ON.
	Assicurarsi che il cavo di alimentazione e l'adattatore di corrente siano correttamente collegati al monitor.
	Assicurarsi di aver selezionato e attivato il LED di alimentazione nel menu Impostazioni OSD di sistema.
Nessuna immagine sullo schermo	Assicurarsi che il monitor sia acceso.
	Assicurarsi che il cavo video e il dispositivo di origine siano correttamente collegati al monitor.
	Assicurarsi che il cavo video non sia danneggiato. Non utilizzare cavi e prolunghe video di scarsa qualità.
	Verificare l'input di origine video impostata per il monitor (assicurarsi che la funzionalità Origine automatica sia disabilitata in OSD).
	Collegare un altro dispositivo di origine per verificare l'input video.
	Collegare il dispositivo di origine a un altro monitor disponibile per verificare l'output video.
	Non utilizzare il collegamento a caldo. Assicurarsi di aver collegato il monitor all'origine prima dell'accensione del dispositivo di origine.
Immagine troppo chiara/scura	Regolare le impostazioni di luminosità/Gamma/contrasto mediante l'OSD.
	Ripristinare le impostazioni predefinite del monitor.
Segnale video non supportato	Verificare le impostazioni di output video del dispositivo di origine. Le risoluzioni di input supportate dal monitor gaming CORSAIR XENEON 32QHD165 sono:

AREA OPERATIVA

Domande frequenti/Risoluzione dei problemi

Domanda	Risposta
CORSAIR XENEON 32QHD165 supporta i video mediante USB-C?	Sì, CORSAIR XENEON 32QHD165 supporta il collegamento DisplayPort mediante USB-C con l'ausilio dell'input dedicato ALT DP USB-C. Utilizzare il cavo USB-C da 1,5 m incluso o un cavo USB-C di qualità che supporti USB 3.2 Gen 2 per ottenere risultati ottimali.
Non riesco a utilizzare i dispositivi collegati alle porte USB-A sul mio monitor quando connesso al mio dispositivo compatibile con la modalità Alt USB-C tramite un singolo cavo USB-C.	Per impostazione predefinita, la modalità Alt USB-C supporta la modalità 4 corsie, che offre una completa risoluzione DisplayPort mediante USB-C. Tuttavia, ciò comporta la disabilitazione delle porte USB-A. Per abilitare di nuovo le porte USB-A quando collegato esclusivamente mediante l'input ALT DP USB-C, passare alla modalità 2 corsie, che consente di ridurre la risoluzione dell'output video supportato. In questo modo, sarà possibile abilitare di nuovo le porte USB-A per le periferiche connesse alle porte USB-A del monitor. In alternativa, è possibile collegare il dispositivo di origine alla porta USB downstream o alla porta ALT DP USB-C per una risoluzione video e una funzionalità delle porte USB ottimali. Assicurarsi di utilizzare un cavo USB-C di qualità che supporti USB 3.2 Gen 2 per ottenere risultati ottimali.
Immagine allungata/schiacciata	Selezionare l'impostazione "Proporzioni" in "Impostazioni di sistema". Per impostazione predefinita, è impostata su "Auto", tuttavia, in alcuni casi, è necessario impostare manualmente le proporzioni (ad es. in combinazione con determinati adattatori e console gaming retrò)
Immagine con problemi di colore	Assicurarsi che il cavo video non sia danneggiato. Non utilizzare cavi e prolunghe video di scarsa qualità.
	Ripristinare le impostazioni predefinite del monitor.
	Regolare le impostazioni dell'immagine tramite l'OSD.
Elementi nell'immagine su schermo	Assicurarsi che il cavo video non sia danneggiato.
	Assicurarsi se sia necessario richiedere assistenza per il vostro dispositivo di origine, una scheda grafica difettosa o la console gaming.
Monitor con pixel mancanti	CORSAIR offre un'assicurazione "Zero Dead Pixel" per i prodotti monitor. Se si riscontrano 1 o più pixel chiari o 6 o più subpixel scuri, il monitor verrà sostituito nel periodo di 3 anni di garanzia.
Qual è il supporto VESA compatibile?	CORSAIR XENEON 32QHD165 supporta sistemi di montaggio standard di 100mm x 100mm. È necessario rimuovere il monitor dal supporto. Utilizzare le viti di montaggio fornite con il supporto VESA.

AREA OPERATIVA

Domande frequenti/Risoluzione dei problemi

Domanda	Risposta
Posso montare una webcam o una telecamera digitale SLR/mirrorless?	CORSAIR XENEON 32QHD165 supporta webcam standard posizionate sul pannello superiore del display, nonché fotocamere DSLR/mirrorless di dimensioni maggiori quando utilizzato in abbinamento a Elgato Multi-Mount Adapter Kit for XENEON e al kit Elgato Flex Arm L/S (il kit di adattatori e Flex Arm sono venduti separatamente)
Il mio monitor CORSAIR XENEON non viene rilevato da CORSAIR iCUE	Assicurarsi che sul PC sia installata l'ultima versione di CORSAIR iCUE. CORSAIR XENEON 32QHD165 supporta la versione iCUE 4.15 o successive.
	Assicurarsi che il cavo connesso all'USB-C upstream sul monitor e la porta USB 3.0 del PC siano correttamente collegati. Non collegare al monitor hub USB o prolunghe, se possibile. Si consiglia vivamente di utilizzare il cavo USB-C in dotazione con il monitor CORSAIR XENEON per ottenere prestazioni ottimali.
Quali opzioni di frequenza di aggiornamento adattivo sono disponibile su CORSAIR XENEON?	CORSAIR XENEON 32QHD165 ha ottenuto la certificazione AMD FreeSync Premium ed è anche compatibile con NVIDIA G-SYNC.
AMD FreeSync / G-SYNC non sono abilitati.	Assicurarsi che AMD FreeSync sia abilitato mediante l'OSD.
	Verificare le impostazioni della scheda grafica e assicurarsi che AMD FreeSync/NVIDIA G-SYNC siano abilitati. AMD FreeSync supporta qualsiasi porta video. NVIDIA G-Sync supporta solo DP o DP in modalità Alt USB-C
Non riesco a ottenere la frequenza di aggiornamento di 165 Hz del monitor.	Verificare le impostazioni di visualizzazione della scheda grafica e del sistema e assicurarsi che la frequenza di aggiornamento da 165 Hz sia abilitata. Consultare la tabella Modalità di visualizzazione supportata nell'Appendice per le opzioni disponibili.
	Assicurarsi che il cavo video non sia danneggiato. Non utilizzare cavi e prolunghe video di scarsa qualità.

APPENDICE

Specifiche tecniche

Nome prodotto	XENEON 32QHD165
Codice prodotto	CM-9020001
Dispositivo	32QHD165 / RDD0013
ID hub USB	CORSAIR USB 3.0 Hub
Dimensioni pannello	32" Diagonal
Superficie display	Antiriflesso
Pixel per pollice	91,8
Proporzioni	16:9
Risoluzione nativa	2560 x 1440 a 165 Hz
Tempo di risposta (MPRT)	1 ms
Tempo di risposta (GtG)	<3ms
Colori schermo	16,7 milioni (RGB a 8 bit)
Tecnologia pannello	IPS con tecnologia Quantum Dot
Flicker-free	Sì
Angoli di visualizzazione	178° (O) / 178° (V)
Luminosità massima	400 nit (SDR) / 440 nit (HDR)
Rapporto contrasto statico	1000:1
Certificazione HDR	VESA DisplayHDR 400
Gamut colore (CIE 1976)	98% (DCI-P3), 100% (AdobeRGB), 100% (sRGB)
Frequenza di aggiornamento variabile	Certificazione AMD FreeSync Premium, compatibilità con NVIDIA G-Sync
Ingresso HDMI	2 HDMI 2.0
Ingresso DisplayPort	1 DisplayPort 1.4
Ingresso USB-C	1 DisplayPort 1.4 (USB-C Alt Mode), 15W Power Delivery, USB 5Gbps Data Upstream
Ingresso USB-C upstream	1 USB-C da 5 Gbps
Uscita USB-A	2 USB Tipo A da 5 Gbps (5V/0.9A *2)
Audio da 3,5 mm	Pass-through da ingresso video

APPENDICE

Specifiche tecniche

Consumo energetico (acceso)	68 W
Consumo energetico (sospensione)	<0,5 W
Consumo energetico (spento)	<0,3 W
Compatibilità VESA	100 mm x 100 mm
Dimensioni	732 mm x 607 mm x 316 mm (L x A x P)
Peso	9,5 kg
Inclinazione supporto	-5°/+20°
Rotazione supporto	-30°/+30°
Intervallo di regolazione altezza supporto	110 mm
Adattatore AC	90 W
	Nota: il dispositivo richiede i seguenti alimentatori: Asian Power Dispositivos Inc. / DA-90J19

Modalità di visualizzazione supportate

Risoluzione	Frequenza di aggiornamento
640x480	60, 67, 72, 75Hz
800x600	56, 60, 72, 75Hz
1024x768	60, 70, 75Hz
1280x1024	60, 75Hz
1440x900	60Hz
1680x1050	60Hz
1920x1080	30, 50, 60, 100, 120Hz
2560x1440	30*, 60, 120, 144*, 165Hz**
3840x2160***	30, 60Hz

*Solo HDMI.

**Solo DisplayPort/Modalità Alt USB-C (a 4 vie).

***L'immagine viene ridimensionata alla risoluzione nativa..

APPENDICE

Valori predefiniti set di impostazioni dell'immagine

Impostazione	Standard	Film	Gioco	Testo	Creatività	sRGB	HDR
Luminosità	Varia in base all'area geografica*	100	100	30	100	27	100
Contrasto	50	50	50	50	50	50	50
Nitidezza	5	7	6	5	5	5	5
Temperatura colore	Normale	Normale	Normale	Calda	Normale	sRGB	Normale
Gamma	2.2	2.2	2.2	2.2	2.2	sRGB	2.2
Saturazione	0	2	1	0	0	0	0
Low Blue Light	Disattivata	Disattivata	Disattivata	Disattivata	Disattivata	Disattivata	Disattivata
Tempo di risposta	Veloce	Veloce	Veloce	Normale	Normale	Normale	Veloce
MPRT	Disattivata	Disattivata	Disattivata	Disattivata	Disattivata	Disattivata	Disattivata

*Le impostazioni di illuminazione predefinite variano in base all'area geografica

- Nord America = 40
- Europa = 30
- UK = 30
- Asia = 60

Note legali HDMI



HDMI

I marchi di fabbrica adottati HDMI, HDMI High-Definition Multimedia Interface e il logo HDMI sono marchi o marchi registrati di HDMI Licensing Administrator, Inc. negli Stati Uniti o in altri paesi.

I termini HDMI, HDMI High-Definition Multimedia Interface e il logo HDMI sono marchi o marchi registrati di HDMI Licensing Administrator, Inc.

CONTENIDO

Precauciones	2
Contenido del paquete	3
Montaje	4
Ajuste de la inclinación, el giro y la altura	5
Gestión de cables, soporte de montaje de la cámara (opcional) y otras opciones de montaje	6
Conectividad	9
Funcionamiento	10
Controles	10
Visualización en pantalla (OSD)	10
OSD: Ajustes de imagen	11
OSD – Configuración de OSD	13
OSD – Configuración del sistema	14
OSD: Audio	16
OSD: Selección de entrada	17
OSD – Información	18
Preguntas frecuentes Solución de problemas	19
Especificaciones	22
Especificaciones técnicas	22
Modos de visualización admitidos	23
Default Imagen Preset Values	24

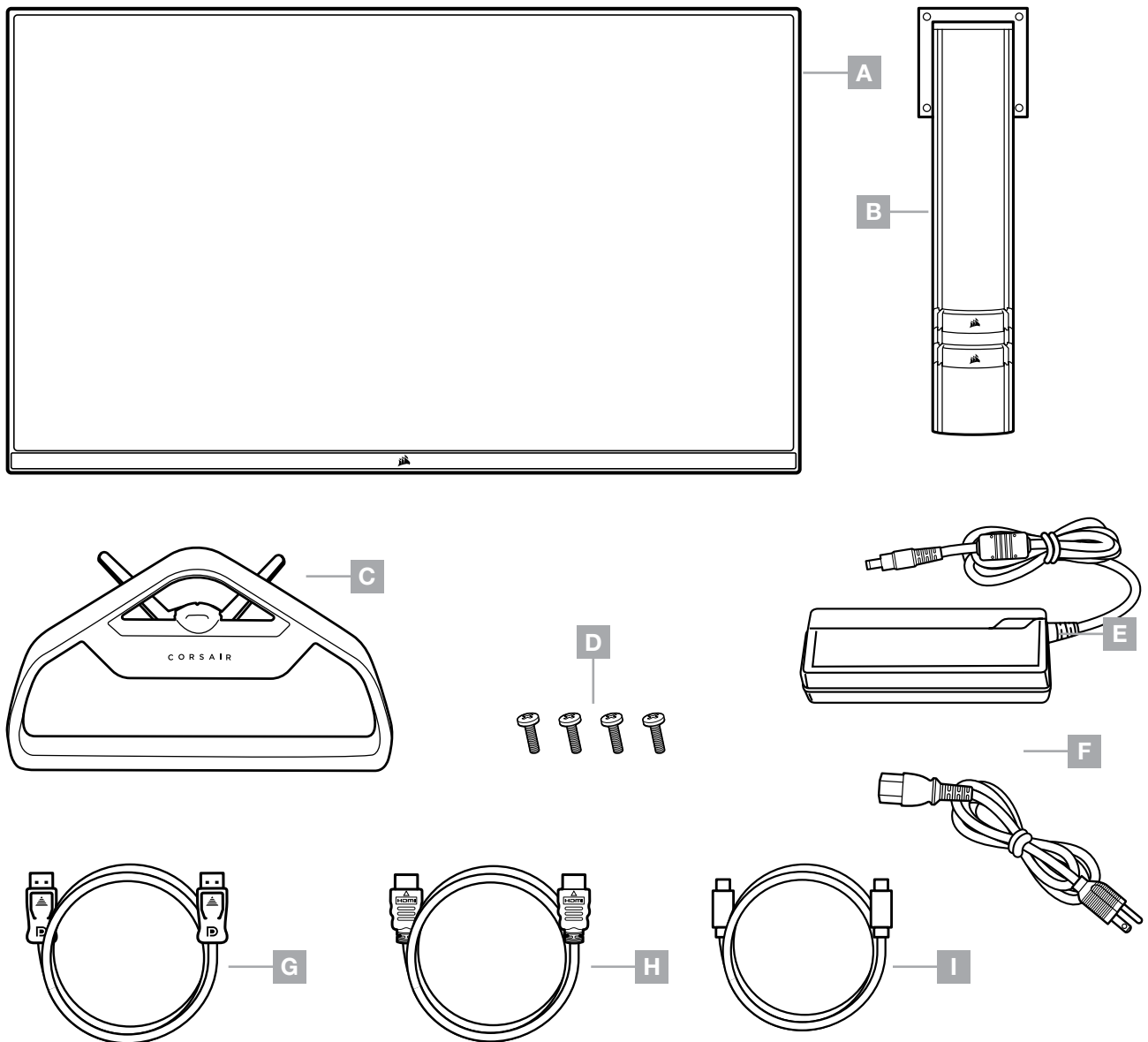


Escanear el código QR para acceder a la guía de inicio rápido y a los vídeos de configuración

PRECAUCIONES

- Utilice únicamente los accesorios suministrados con el monitor o los recomendados por el fabricante.
- Guarde la bolsa de plástico del envase del producto en un lugar que los niños no puedan alcanzar.
- Antes de conectar el monitor a la toma de corriente, asegúrese de que la tensión del cable de alimentación es compatible con las especificaciones de alimentación del país en el que se encuentra.
- La clavija del cable de alimentación debe conectarse a una toma de corriente debidamente cableada y con conexión a tierra.
- No toque la clavija con las manos mojadas, ya que, de lo contrario, puede producirse fácilmente una descarga eléctrica.
- Coloque el monitor en un lugar estable y bien ventilado.
- No coloque el monitor cerca de fuentes de calor como radiadores eléctricos o la luz solar directa.
- Los agujeros o aberturas del monitor son para la ventilación. No cubra ni bloquee los orificios de ventilación con ningún objeto.
- No utilice el monitor cerca de agua, bebidas o ningún tipo de líquido. No hacerlo así puede provocar una descarga eléctrica o dañar el monitor.
- Asegúrese de desenchufar el monitor de la toma de corriente antes de limpiarlo.
- Dado que la superficie de la pantalla es fácil de rayar, evite tocar la superficie con cualquier objeto duro o afilado. Utilice un paño suave sin pelusa en lugar de un pañuelo de papel para limpiar la pantalla. Puede utilizar un limpiacristales para limpiar el equipo en caso necesario. No obstante, nunca rocíe el limpiador directamente sobre la pantalla.
- Desconecte el cable de alimentación si el equipo no se va a utilizar durante un largo periodo de tiempo.
- No intente desmontar o reparar el monitor usted mismo.

PANTALLA XENEON 32QHD165: CONTENIDOS



A — PANTALLA XENEON 32QHD165: PANEL

B — BARRA DE MONTAJE

C — SOPORTE

D — TORNILLOS DE MONTAJE (×4)

E — ADAPTADOR DE CA

F — CABLE DE ALIMENTACIÓN DE CA

G — DISPLAYPORT CABLE (1.5M)

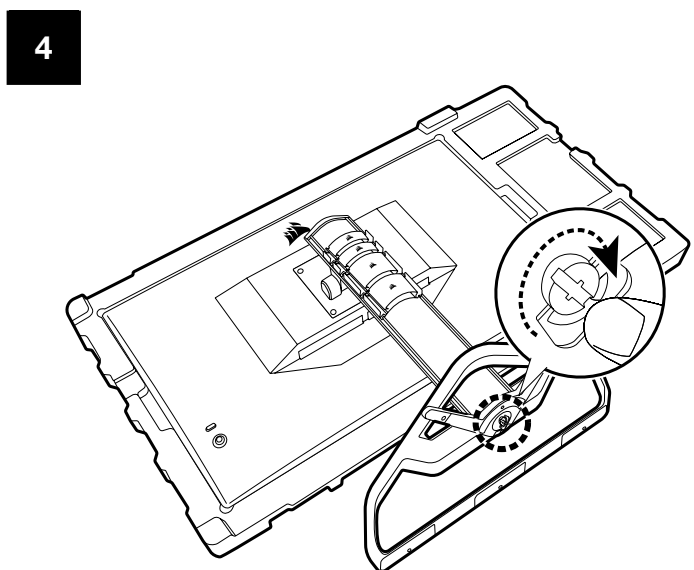
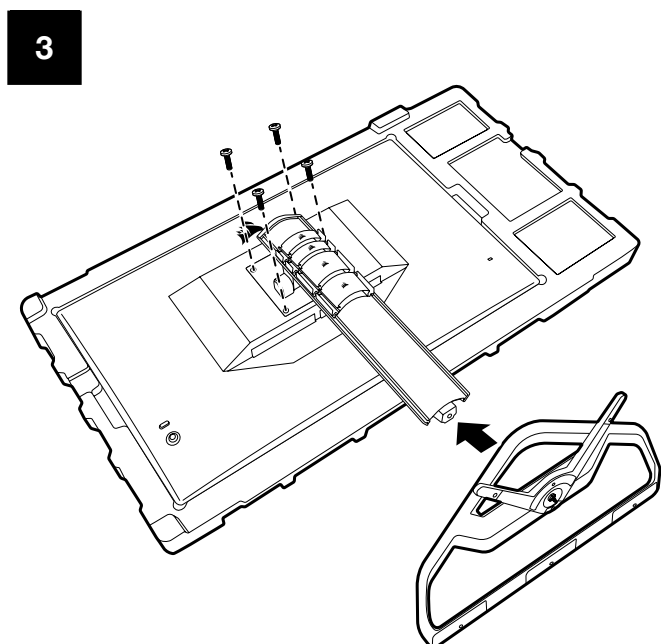
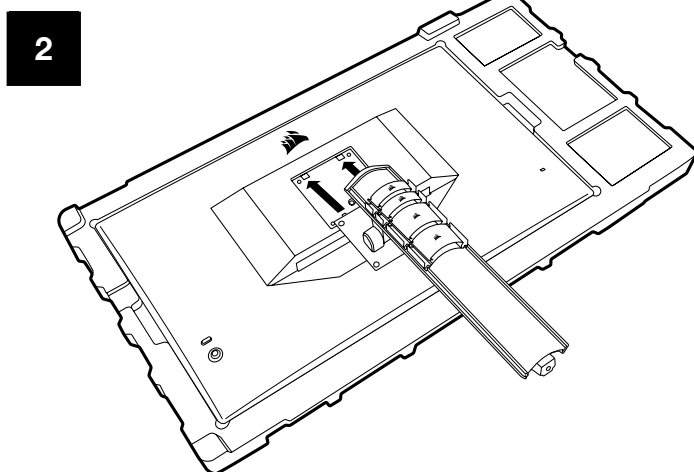
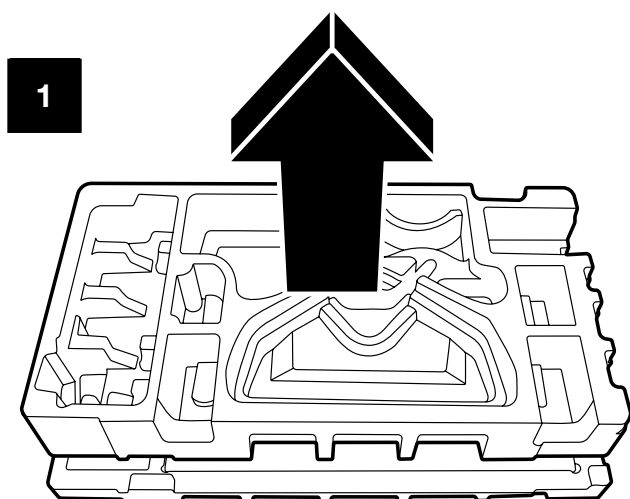
H — CABLE HDMI (1,5 M)

I — CABLE USB-C (1,5 M)

MONTAJE

Antes de empezar, necesitará un destornillador con cabezal Phillips.

1. Retire la capa superior de espuma que incluye los accesorios y el soporte para descubrir la parte trasera del panel.
2. Abra con cuidado la bolsa de espuma que cubre el panel (imagen 1) para dejar al descubierto la zona de montaje. No retire el panel de la bolsa.
3. Alinee el poste del monitor con las ranuras de montaje de la parte posterior del panel (imagen 2). Deslice los ganchos superiores en las ranuras de montaje de la parte trasera del panel. Con un destornillador de estrella, fije el poste al panel con los 4 tornillos.
4. Fije la base del soporte al poste del monitor (imagen 3) y apriete el tornillo cautivo en la parte inferior del poste (imagen 4).
5. Retire lentamente el monitor del embalaje y colóquelo en posición vertical sobre su escritorio. No toque la parte frontal del panel mientras levanta el monitor.



AJUSTE DE LA INCLINACIÓN, EL GIRO Y LA ALTURA

Su monitor Xeneon cuenta con un soporte robusto y elegante que ofrece ajuste de inclinación, giro y altura.

- Inclinación de -5 / +20 grados
- Giro de +/- 30 grados
- Rango de ajuste de la altura de 110 mm (497 mm-607 mm)

Inclinación



Ajuste de la altura y el giro

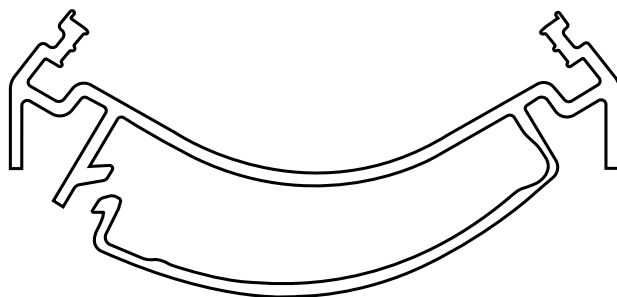


GESTIÓN DE CABLES, SOPORTE DE MONTAJE DE LA CÁMARA (OPCIONAL) Y OTRAS OPCIONES DE MONTAJE



Su pantalla Xeneon incorpora la distribución de cables RapidRoute para mantener el escritorio ordenado. Hay cuatro pinzas ajustables para cables que se deslizan verticalmente por el poste del monitor y le permiten distribuir el cableado según sus necesidades. Abra cada pinza de cables presionando el cierre con el pulgar hacia la izquierda y tirando hacia fuera de la misma.

Si necesita retirar las pinzas de cables, retire la base del poste deslizando las pinzas hacia abajo y hacia el exterior de las guías del canal.



COMPATIBILIDAD CON ELGATO FLEX ARM

La parte superior del poste del monitor Xeneon cuenta con un conector de 6 mm (0,25”) que permite añadir el kit de adaptador para montaje de cámara y Elgato Flex Arm (de venta por separado) para acoplar una cámara a la parte superior del monitor Xeneon. Estos accesorios se pueden adquirir directamente en Corsair.

- Kit de adaptador de cámara y soporte esférico para Xeneon (CM-8900001)
- Elgato Flex Arm-S (10AAH9901) o Flex Arm-L (10AAC9901)

El vídeo de instalación y las instrucciones del soporte de montaje de la cámara están disponibles en <https://www.corsair.com/xeneon-quickstart>

A division of CORSAIR



Flex Arm S



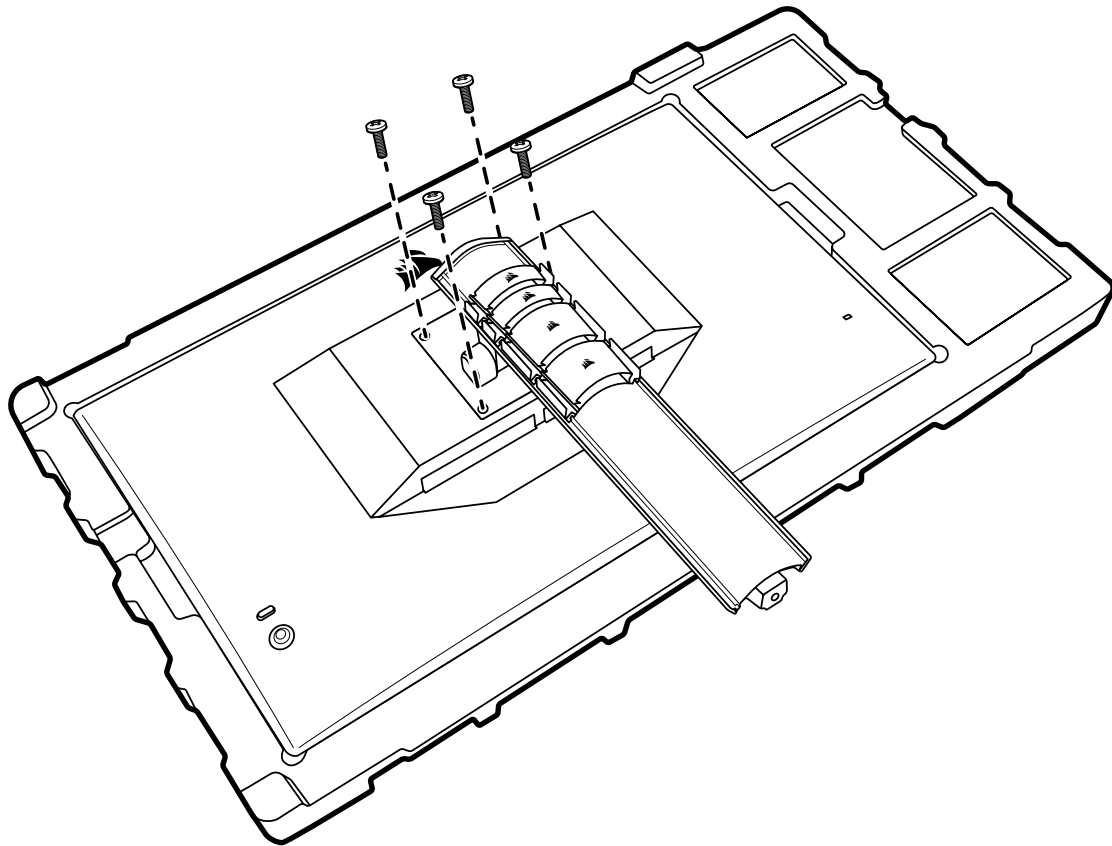
Flex Arm S



COMPATIBILIDAD CON SOPORTES DE PARED

Antes de montar su pantalla con un soporte de pared compatible (VESA 100 x 100 mm), asegúrese de que:

- Ha retirado el soporte del monitor con un destornillador de estrella.
- El soporte de pared que ha comprado soporta el peso de este monitor.

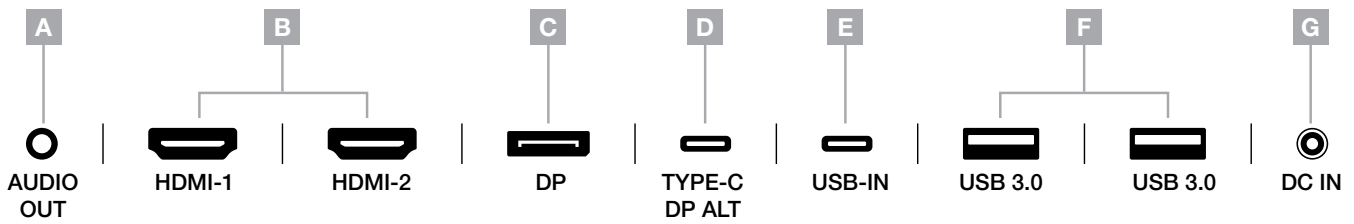


Revise las instrucciones de su soporte de pared para obtener más información sobre cómo montar el monitor correctamente.

ADVERTENCIA: El monitor tiene cuatro orificios de montaje VESA en la parte posterior. Debe fijar el soporte de pared utilizando los cuatro agujeros. Si no utiliza los cuatro agujeros, el monitor puede caerse y causar daños materiales o lesiones.

Nota: Los tornillos de montaje en la pared no están incluidos. Tornillos: tipo M4, 10 a 12 mm de longitud dependiendo del soporte de pared

CONECTIVIDAD




- A. Toma de audio de 3,5 mm:
salida de audio de los dispositivos conectados HDMI, DisplayPort y USB-C en modo alternativo.
- B. HDMI 2.0 Ports:
Dual HDMI inputs correspond to “HDMI-1” and “HDMI-2” inputs.
- C. Puerto DisplayPort 1.4:
la entrada DisplayPort corresponde a la entrada «DisplayPort».
- D. Puerto USB Type-C:
Es compatible con DisplayPort (modo alternativo) y entrada USB de subida (se conecta a puertos USB 3.0). Corresponde a la entrada TYPE-C. Este puerto, o bien el puerto de subida, debe conectarse a un puerto apto para USB en su dispositivo host para admitir la funcionalidad CORSAIR iCUE y los puertos USB 3.0 de bajada.
- E. Puerto USB de subida:
puerto de entrada USB de subida. Este puerto, o bien el puerto Type-C, debe conectarse a un puerto apto para USB en su dispositivo host para admitir la funcionalidad CORSAIR iCUE y los puertos USB 3.0 de bajada.
- F. Puertos USB 3.0:
puertos USB Type-A duales a 5 Gb/s.
- G. Entrada de CC:
se conecta al adaptador de CA incluido.

FUNCIONAMIENTO

Controles

 Encendido y apagado

 Pulsar: abre los ajustes de la pantalla.

Arriba: abre el regulador de brillo
Abajo: abre la selección del modo Imagen.
Izquierda: abre el regulador de volumen.
Derecha: abre la selección de la fuente de entrada



Su monitor incluye una pequeña palanca en la parte trasera, situada a la derecha, para abrir accesos directos y navegar por los ajustes de la pantalla. Tenga en cuenta que buena parte de esos ajustes también pueden controlarse mediante el software CORSAIR iCUE si dispone de un concentrador USB conectado a su ordenador a través del puerto de entrada de USB. Instale la última versión de iCUE (4.16 o posterior) disponible en <https://www.corsair.com/us/en/icue>.

Visualización en pantalla (OSD)

Al pulsar la palanca hacia dentro, puede acceder a los ajustes de pantalla del monitor. Puede utilizar la palanca para navegar por los ajustes; si la pulsa hacia dentro, se confirmará su selección.

FUNCIONAMIENTO

OSD: Ajustes de imagen

El primer menú, denominado «Imagen», contiene los siguientes ajustes para configurar la calidad global de la imagen.



FUNCIONAMIENTO

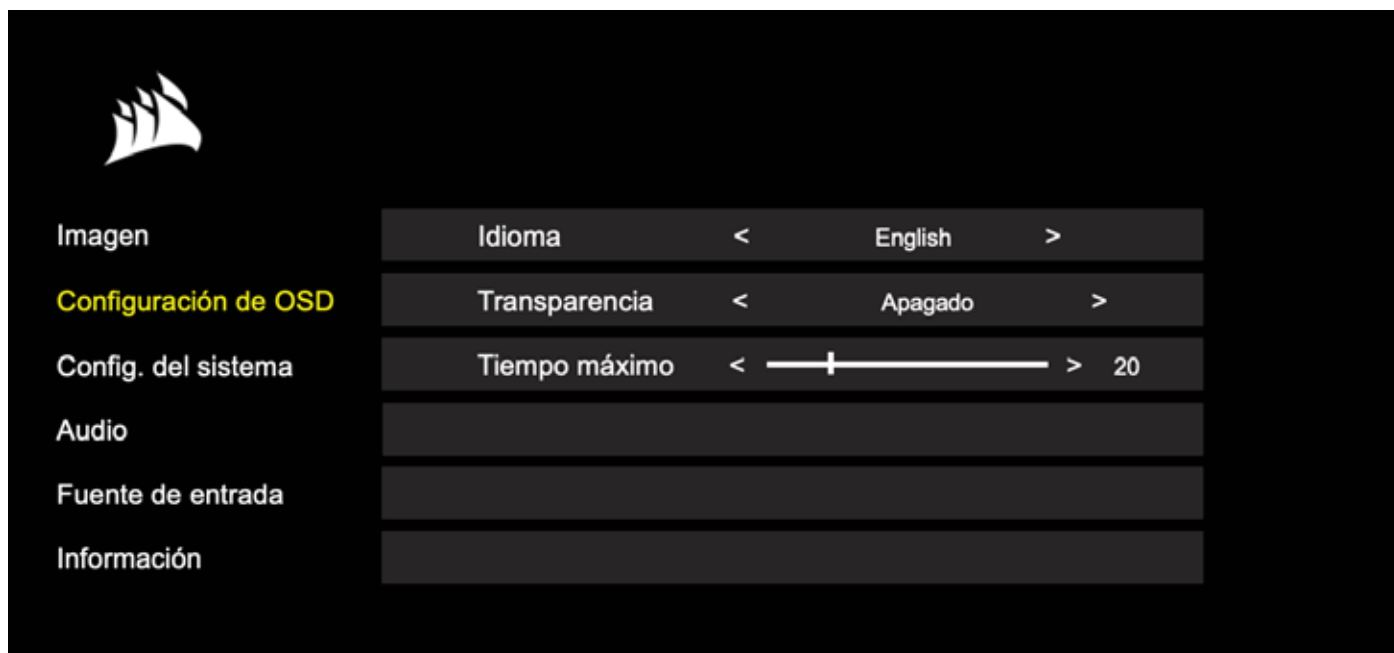
OSD: Ajustes de imagen

Ajuste	Opciones	Descripción
Modo Imagen	Estándar	Selecciona un ajuste predefinido de fábrica del monitor calibrado para el uso general y el máximo ahorro energético.
	Película	Selecciona un ajuste predefinido optimizado para ver películas.
	Texto	Selecciona un ajuste predefinido optimizado para leer textos.
	sRGB	Selecciona un ajuste predefinido de fábrica calibrado para el espacio de color sRGB.
	Creativo	Selecciona un ajuste predefinido de fábrica calibrado para tareas de creación de contenido.
	Juego	Selecciona un ajuste predefinido optimizado para jugar a juegos de acción rápida.
	HDR	Selecciona un ajuste predefinido certificado para VESA DisplayHDR400.
Brillo	0-100	Ajusta la intensidad de la retroiluminación de la pantalla.
Contraste	0-100	Ajusta el contraste de la pantalla.
Nitidez	0-5	Ajusta el filtro de nitidez de la pantalla, aumentando el nivel de detalle de los bordes.
Temperatura de color	Frío	Fija la temperatura de color de la pantalla en 9300K.
	Normal	Fija la temperatura de color de la pantalla en 6500K (estándar).
	Cálido	Fija la temperatura de color de la pantalla en 5000K.
	Personalizado	Le permite fijar manualmente la temperatura de color del monitor con reguladores que controlan los niveles de rojo, azul y verde.
Gamma	2.0, 2.2, 2.4	Ajusta la relación entre color y brillo; la opción predeterminada es 2.2.
Saturación	0-10	Ajusta la intensidad de los colores de la pantalla.
Descanso visual	Encendido o apagado (ON/OFF)	Reduce las emisiones de luz azul de la pantalla cuando se activa.
Tiempo de respuesta	Normal, Rápido, Más rápido	Le permite aumentar la velocidad a la que los píxeles pueden pasar de un color a otro, lo que puede reducir el desenfoco de los objetos que se mueven a gran velocidad.
Superp. actualiz.	Encendido o apagado (ON/OFF)	Activa una superposición en la esquina superior derecha que muestra la frecuencia de actualización del monitor en ese momento, útil para hacer el seguimiento de los fotogramas por segundo cuando Adaptive Sync está activado.
MPRT	Encendido o apagado (ON/OFF)	Activa el ajuste «Tiempo de respuesta de imagen en movimiento», que puede reducir el desenfoco de los objetos en movimiento cuando se fija como «Encendido».

FUNCIONAMIENTO

OSD – Configuración de OSD

El segundo menú, denominado «Configuración de OSD», contiene los siguientes ajustes para configurar la visualización en pantalla.

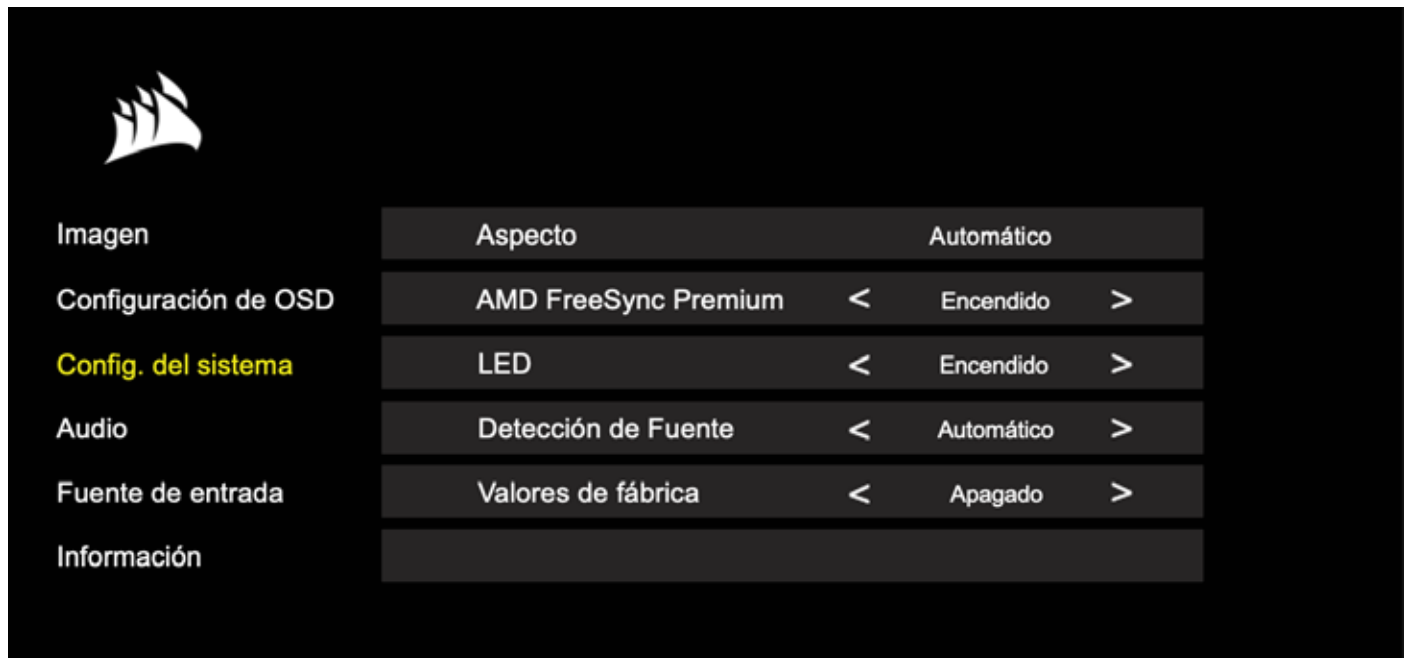


Ajuste	Opciones	Descripción
Idioma	Inglés Francés Alemán Italiano Español Japonés Coreano Portugués Ruso Chino (tradicional)	Selecciona el idioma de OSD.
Transparencia	Encendido o apagado (ON/OFF)	Selecciona si OSD es transparente u opaca.
Tiempo máximo	10-60	Ajusta el tiempo (en segundos) que OSD permanece en pantalla antes de desaparecer.

FUNCIONAMIENTO

OSD – Configuración del sistema

El tercer menú, denominado «Configuración del sistema», contiene los siguientes ajustes para configurar los valores internos del monitor.



FUNCIONAMIENTO

OSD – Configuración del sistema

Ajuste	Opciones	Descripción
Relación de aspecto	Auto, 4:3, 16:9	Selecciona la relación de aspecto de la pantalla. «Auto» tratará de hacer coincidir la relación de aspecto de la pantalla con la señal de vídeo entrante. No disponible con el sistema Adaptive Sync activado.
AMD FreeSync Premium	Encendido o apagado (ON/OFF)	<p>Activa o desactiva la función Adaptive Sync cuando se conecta a una GPU compatible. Seleccione ON para activar Adaptive Sync para AMD FreeSync a través de HDMI.</p> <p>La compatibilidad con NVIDIA G-Sync está disponible cuando se conecta mediante un cable DP o un cable USB Type-C en modo alternativo a una GPU compatible. Para la funcionalidad NVIDIA G-Sync:</p> <ul style="list-style-type: none">• Install/Open NVIDIA Control Panel• Seleccione Configurar G-Sync.• Seleccione la casilla Habilitar compatibilidad con G-Sync.• Select the 32QHD165/RDD0013• Seleccione la casilla Activar la configuración del modelo de pantalla seleccionado. <p>Puede que sea necesario reiniciar el sistema para acceder a la configuración de NVIDIA.</p>
LED	Encendido o apagado (ON/OFF)	Selecciona la activación o desactivación del indicador LED de alimentación delantero.
Detección de fuente	AUTO o MANUAL	Determina si la pantalla cambia automáticamente a una entrada diferente al detectar una señal o si debe cambiar la entrada de forma manual.
USB-C en modo alternativo Alt (sólo presente cuando la pantalla está conectada a través del puerto de vídeo USB-C)	4 líneas 2 líneas	<p>Activa el número de líneas USB que se usarán en el puerto USB-C para vídeo.</p> <ul style="list-style-type: none">• El modo de 4 líneas permite una resolución de hasta 2560 x 1440 a 165 Hz pero reduce la velocidad de los puertos USB Type-A a USB 2.0.• El modo de 2 líneas permite hasta 2560 x 1440 a 120 Hz pero habilita el USB Type-A a velocidad USB 3.0.
Valores de fábrica	-	Restablece todos los ajustes del monitor a los valores predeterminados de fábrica.

FUNCIONAMIENTO

OSD: Audio

El cuarto menú, denominado «Audio», le permite controlar el audio de la pantalla.

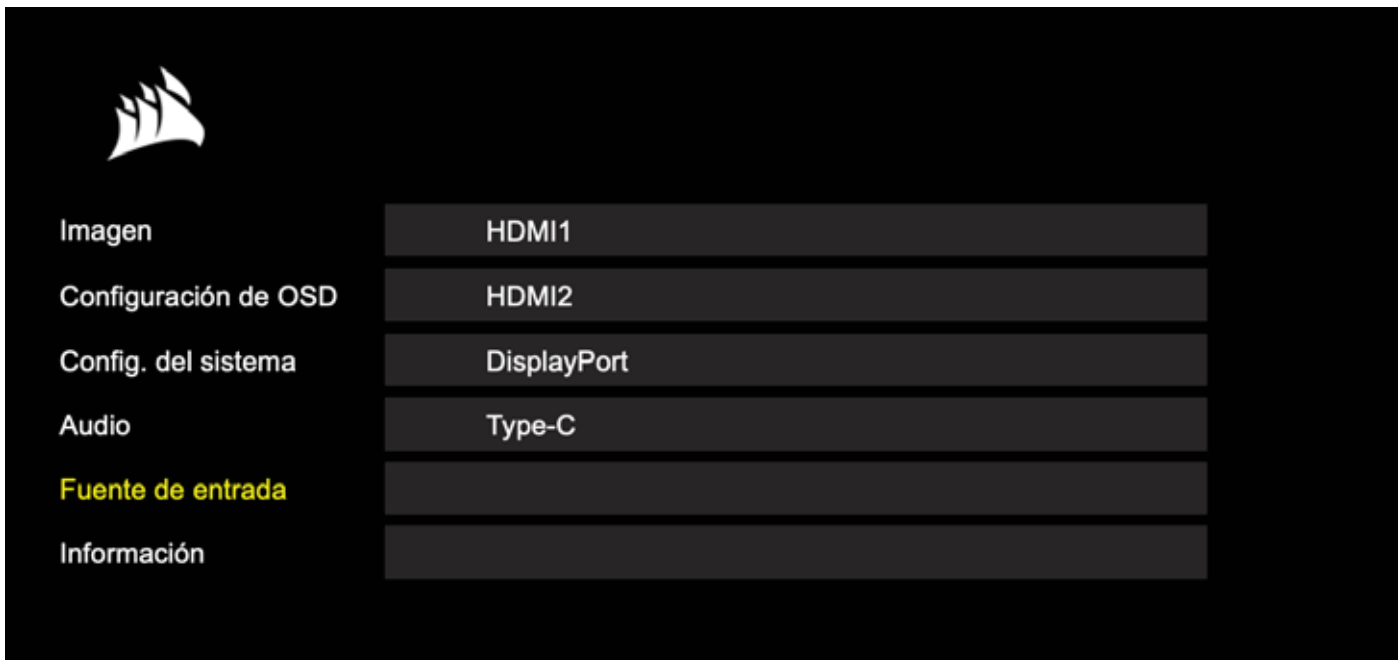


Ajuste	Opciones	Descripción
Volumen	0-100	Ajusta el volumen de la salida de audio desde la toma de auriculares.
Entrada de audio	Auto, HDMI-1, HDMI-2, DisplayPort, USB-C	Selecciona desde qué entrada dirige el monitor el audio hacia la toma de auriculares. «Auto» utilizará la entrada actual.

FUNCIONAMIENTO

OSD: Selección de entrada

El quinto menú, denominado «Selección de entrada», le permite cambiar entre las diferentes entradas de la pantalla.



Ajuste	Descripción
HDMI-1	Cambia al dispositivo conectado al puerto HDMI-1.
HDMI-2	Cambia al dispositivo conectado al puerto HDMI-2.
DisplayPort	Cambia al dispositivo conectado al puerto DisplayPort «DP».
TYPE-C	Cambia al dispositivo conectado al puerto TYPE-C.

FUNCIONAMIENTO

OSD – Información

Proporciona el estado de la configuración actual de las funciones clave.



The image shows a screenshot of an OSD (On-Screen Display) menu. At the top left is a logo consisting of three white, flame-like shapes. Below the logo is a table with a dark background and light text. The table has three columns: the first column lists settings, the second column lists values, and the third column lists values. The 'Información' row is highlighted in yellow.

Imagen	Fuente	DisplayPort
Configuración de OSD	Resolución	2560X1440
Config. del sistema	Superp. actualiz.	165Hz
Audio	AMD FreeSync Premium	ON
Fuente de entrada	HDR	ON
Información	Versión de firmware	P08

FUNCIONAMIENTO

Preguntas frecuentes | Solución de problemas

Pregunta	Respuesta
LED de alimentación apagado	Pulse el botón de encendido situado en la parte posterior de su monitor para comprobar si está en la posición de encendido.
	Compruebe si el cable de alimentación está bien conectado al monitor, así como el adaptador de corriente.
	Compruebe que el LED de alimentación del menú de configuración del sistema OSD esté activado.
No hay imagen en la pantalla.	Compruebe si el monitor está encendido.
	Compruebe si el cable de vídeo está bien conectado al monitor y al dispositivo de origen.
	Compruebe la calidad del cable de vídeo y asegúrese de que no está dañado. Evite utilizar cables y alargadores de vídeo de baja calidad.
	Compruebe en qué entrada de vídeo está configurado su monitor (si la función de fuente automática está desactivada en el OSD).
	Conecte otro dispositivo fuente para probar la entrada de vídeo del monitor.
	Conecte el dispositivo fuente a otro monitor disponible para probar la salida de vídeo.
	Evite conectar el monitor en caliente. Tenga el monitor conectado a la fuente antes de encender el dispositivo fuente.
Imagen demasiado clara/oscura	Ajuste la configuración de brillo/gama/contraste a través del OSD.
	Restablezca la configuración de fábrica del monitor.
Señal de vídeo no compatible	Compruebe la configuración de salida de vídeo del dispositivo de origen. Las resoluciones de entrada compatibles con el monitor para juegos CORSAIR XENEON 32QHD165 son:

FUNCIONAMIENTO

Preguntas frecuentes | Solución de problemas

Pregunta	Respuesta
¿Es el CORSAIR XENEON 32QHD165 compatible con vídeo a través de USB-C?	Sí, el CORSAIR XENEON 32QHD165 es compatible con DisplayPort por USB-C a través de la entrada dedicada DP TYPE-C ALT. Utilice el cable Type-C de 1,5 m incluido o un cable USB Type-C de calidad compatible con USB 3.2 Gen 2 para obtener los mejores resultados.
No puedo utilizar los dispositivos conectados a los puertos USB-A de mi monitor cuando lo conecto a mi dispositivo compatible con USB-C en modo alternativo utilizando un único cable USB-C.	El modo alternativo USB-C está establecido por defecto 4 líneas, lo que permite la resolución completa de DisplayPort a través de USB-C. Sin embargo, esto desactiva el uso de los puertos USB Type-A. Para volver a habilitar los puertos USB Type-A cuando se conectan únicamente a través de la entrada DP TYPE-C ALT, cambie a 2 líneas, lo que limitará la resolución de salida de vídeo admitida para volver a habilitar los puertos USB Type-A para los periféricos conectados a los puertos USB Type-A del monitor. Como alternativa, puede conectar el dispositivo fuente al puerto USB de bajada, así como al puerto DP TYPE-C ALT para obtener una resolución de vídeo completa y la funcionalidad del puerto USB. Asegúrese de utilizar un cable USB Type-C de calidad compatible con USB 3.2 Gen 2 para obtener los mejores resultados.
La imagen está estirada/comprimida.	Compruebe la «Relación de aspecto» en «Configuración del sistema». El valor predeterminado es «Auto», aunque, en algunos casos, puede ser necesario establecer manualmente una relación de aspecto (p. ej., ciertas combinaciones de adaptadores y consolas de juegos vintage).
La imagen tiene problemas de color.	Compruebe la calidad del cable de vídeo y asegúrese de que no está dañado. Evite utilizar cables y alargadores de vídeo de baja calidad.
	Restablezca la configuración de fábrica del monitor.
	Ajuste la configuración de la imagen a través del OSD.
Artefactos en la imagen en pantalla	Compruebe la calidad del cable de vídeo y asegúrese de que no está dañado.
	Compruebe su dispositivo de origen, ya que una tarjeta gráfica o consola de juegos defectuosa puede requerir que se ponga en contacto con el fabricante para obtener ayuda.
El monitor tiene un píxel muerto.	CORSAIR tiene una política de «Cero píxeles muertos» para sus monitores. Si se encuentran uno o más píxeles brillantes o seis o más subpíxeles oscuros, el monitor se sustituirá durante el período de garantía de 3 años.
¿Qué tipos de soportes VESA son compatibles?	CORSAIR XENEON 32QHD165 es compatible con soportes estándar de 100 x 100 mm; el cabezal del monitor debe retirarse del soporte. Utilice los tornillos de montaje incluidos con el soporte VESA.

FUNCIONAMIENTO

Preguntas frecuentes | Solución de problemas

Pregunta	Respuesta
¿Puedo montar una cámara web o una cámara DSLR/sin espejo?	CORSAIR XENEON 32QHD165 es compatible con cámaras web estándar que se acoplan en el bisel superior de la pantalla, así como con cámaras DSLR/sin espejo de mayor tamaño cuando se utiliza con los kits Elgato Multi-Mount Adapter para XENEON y Elgato Flex Arm L/S (todos ellos de venta por separado).
CORSAIR iCUE no detecta mi monitor CORSAIR XENEON.	Compruebe que su PC tenga instalada la última versión de CORSAIR iCUE. CORSAIR XENEON 32QHD165 es compatible con la versión de iCUE 4.15 o posterior.
	Compruebe que el cable conectado a la entrada USB-C de subida del monitor y el puerto USB 3.0 del PC estén bien conectados. Evite conectar el monitor a través de un concentrador o alargador de USB si es posible. Recomendamos encarecidamente utilizar el cable USB-C suministrado con el monitor CORSAIR XENEON para obtener los mejores resultados.
¿Qué opciones de frecuencia de actualización adaptativa tiene CORSAIR XENEON?	CORSAIR XENEON 32QHD165 está certificado para AMD FreeSync Premium y también es compatible con NVIDIA G-SYNC.
Las funciones AMD FreeSync/G-SYNC no están activadas.	Compruebe que AMD FreeSync esté activado a través del OSD.
	Compruebe la configuración de su tarjeta gráfica y asegúrese de que AMD FreeSync / NVIDIA G-SYNC estén activados. AMD FreeSync funciona sobre cualquiera de los puertos de vídeo. La compatibilidad con NVIDIA G-Sync solo funciona a través de DP o DP USB Type-C en modo alternativo.
No consigo establecer la frecuencia de actualización nominal del monitor de 165 Hz.	Compruebe la configuración de su tarjeta gráfica/sistema de visualización y asegúrese de que esté activada la frecuencia de actualización de 165 Hz. Consulte la tabla de modos de visualización admitidos en el apéndice para conocer las opciones disponibles.
	Compruebe la calidad del cable de vídeo y asegúrese de que no está dañado. Evite utilizar cables y alargadores de vídeo de baja calidad.

APÉNDICE

Especificaciones técnicas

Nombre del producto	XENEON 32QHD165
Referencia	CM-9020001
Dispositivo	32QHD165 / RDD0013
ID de concentrador USB	CORSAIR USB 3.0 Hub
Tamaño del panel	32" Diagonal
Superficie de la pantalla	Sin reflejos
Píxeles por pulgada	91,8
Relación de aspecto	16:9
Resolución nativa	2560 × 1440 a 165 Hz
Tiempo de respuesta (MPRT)	1 ms
Tiempo de respuesta (GtG)	<3ms
Colores de la pantalla	16,7 M (RGB de 8 bits)
Tecnología del panel	IPS con tecnología Quantum Dot
Sin parpadeo	Sí
Ángulos de visión	178° (H) / 178° (V)
Brillo máximo	400 nit (SDR) / 440 nit (HDR)
Índice de contraste estático	1000:1
Certificado HDR	VESA DisplayHDR 400
Gama de colores (CIE 1976)	98 % (DCI-P3), 100 % (AdobeRGB), 100 % (sRGB)
Frecuencia de actualización variable	Certificación AMD FreeSync Premium, compatible con NVIDIA G-Sync
Entrada HDMI	2 × HDMI 2.0
Entrada DisplayPort	1 × DisplayPort 1.4
Entrada USB-C	1 × DisplayPort 1.4 (USB-C Alt Mode), 15W Power Delivery, USB 5Gbps Data Upstream
Entrada USB-C (subida)	1 × USB-C a 5 Gb/s
Salida USB-A	2 USB Type-A de 5 Gbps (5 V/0,9 A *2)
Audio de 3,5 mm	Transferencia desde la entrada de vídeo

APÉNDICE

Especificaciones técnicas

Consumo de energía (activo)	68 W
Consumo de energía (en suspensión)	<0,5 W
Consumo de energía (apagado)	<0,3 W
Compatibilidad VESA	100 mm × 100 mm
Dimensiones	732 mm × 607 mm × 316 mm (An. × Al. × L.)
Peso	9,5 kg
Inclinación del soporte	De -5 °C a +20 °C
Giro del soporte	De -30 °C a +30 °C
Intervalo de ajuste de la altura del soporte	110 mm
Adaptador de CA	90 W
	Nota: Su dispositivo utiliza la siguiente fuente de alimentación: Asian Power Dispositivos Inc. / DA-90J19

Modos de visualización admitidos

Resolución	Frecuencia de actualización
640x480	60, 67, 72, 75Hz
800x600	56, 60, 72, 75Hz
1024x768	60, 70, 75Hz
1280x1024	60, 75Hz
1440x900	60Hz
1680x1050	60Hz
1920x1080	30, 50, 60, 100, 120Hz
2560x1440	30*, 60, 120, 144*, 165Hz**
3840x2160***	30, 60Hz

*Solo HDMI.

**Solo DisplayPort/modo alt. USB-C (4 líneas).

***Reducción de la imagen a la resolución nativa.

APÉNDICE

Valores de la imagen predeterminados

Ajuste	Estándar	Película	Juego	Texto	Creativo	sRGB	HDR
Brillo	*Varía según la región.	100	100	30	100	27	100
Contraste	50	50	50	50	50	50	50
Nitidez	5	7	6	5	5	5	5
Temperatura del color	Normal	Normal	Normal	Cálido	Normal	sRGB	Normal
Gamma	2.2	2.2	2.2	2.2	2.2	sRGB	2.2
Saturación	0	2	1	0	0	0	0
Luz azul baja	Apagado	Apagado	Apagado	Apagado	Apagado	Apagado	Apagado
Tiempo de respuesta	Rápido	Rápido	Rápido	Normal	Normal	Normal	Rápido
MPRT	Apagado	Apagado	Apagado	Apagado	Apagado	Apagado	Apagado

*El brillo predeterminado varía según la región.

- Norteamérica = 40
- Europa = 30
- Reino Unido = 30
- Asia = 60

Aviso legal sobre HDMI



HDMI

Las marcas comerciales adoptadas HDMI, HDMI High-Definition Multimedia Interface y el logotipo de HDMI son marcas comerciales o marcas comerciales registradas de HDMI Licensing Administrator, Inc. en Estados Unidos y otros países.

Los términos HDMI, HDMI High-Definition Multimedia Interface y el logotipo de HDMI son marcas comerciales o marcas comerciales registradas de HDMI Licensing Administrator, Inc.

ÍNDICE

Precauções	2
Conteúdo da embalagem	3
Montagem	4
Ajuste de inclinação, articulação e altura	5
Gestão de cabos, suporte para câmara (opcional) e outras opções de montagem	6
Conectividade	9
Operação	10
Controlos	10
Visualização no ecrã (OSD)	10
OSD – Definições de imagem	11
OSD – Definição de OSD	13
OSD – Definição de sistema	14
OSD – Áudio	16
OSD – Seleção de entrada	17
OSD – Informações	18
Perguntas frequentes/resolução de problemas	19
Especificações	22
Especificações técnicas	22
Modos de visualização suportados	23
Valores de predefinições de imagem	24

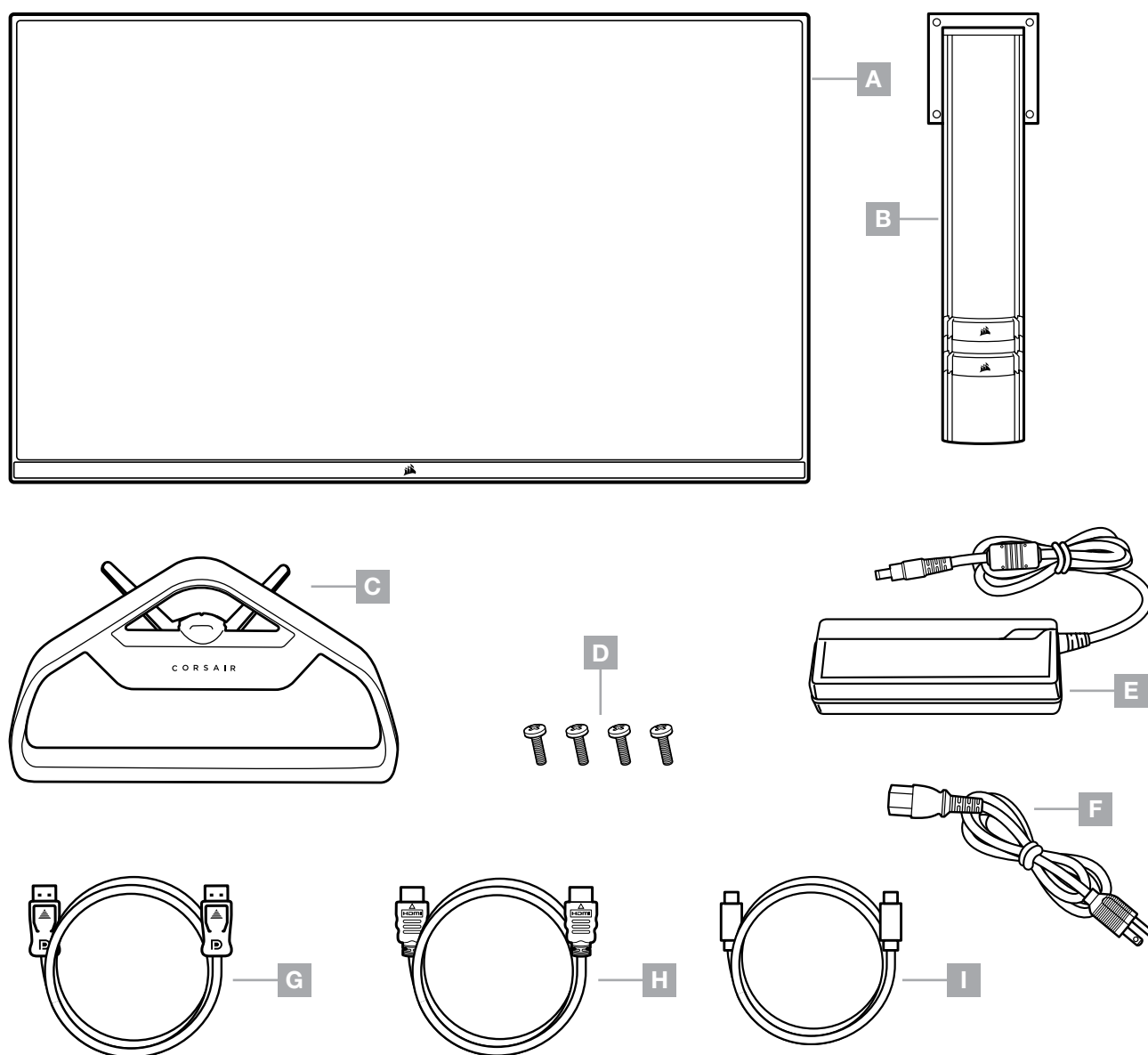


Digitalize o código QR para obter o guia de início rápido e os vídeos de configuração

PRECAUÇÕES

- Utilize apenas os acessórios fornecidos com o monitor ou recomendados pelo fabricante.
- Mantenha o saco de plástico de embalagem do produto num local fora do alcance das crianças.
- Antes de ligar o monitor à tomada, certifique-se de que a tensão do cabo de alimentação é compatível com as especificações do país onde se encontra.
- A ficha do cabo de alimentação tem de ser ligada a uma tomada devidamente conectada e ligada à terra.
- Não toque na ficha com as mãos húmidas, pois isso pode causar facilmente um choque elétrico.
- Coloque o monitor num local estável e bem arejado.
- Não coloque o monitor próximo de fontes de calor, tais como radiadores elétricos ou luz solar direta.
- Os orifícios ou aberturas do monitor destinam-se a ventilação. Não tape nem obstrua os orifícios de ventilação com quaisquer objetos.
- Não utilize o monitor perto de água, bebidas ou qualquer tipo de líquido. O incumprimento do anterior pode resultar em choques elétricos ou danos no monitor.
- Certifique-se de que desliga o monitor da tomada antes de efetuar a limpeza.
- Uma vez que a superfície do ecrã é fácil de riscar, evite tocar nela com objetos rígidos ou pontiagudos. Para limpar o ecrã, utilize um pano macio e que não largue pelos em vez de um lenço de papel. Se necessário, pode usar um limpa-vidros para limpar o equipamento. Contudo, nunca pulverize o produto diretamente para o ecrã.
- Desligue o cabo de alimentação se o equipamento não for utilizado durante um longo período de tempo.
- Não tente desmontar nem reparar o monitor por si próprio.

CONTEÚDO DO ECRÃ XENEON 32QHD165



A — PAINEL DE VISUALIZAÇÃO XENEON 32QHD165

B — PILAR DE FIXAÇÃO

C — SUPORTE

D — PARAFUSOS DE MONTAGEM (X4)

E — ADAPTADOR CA

F — CABO DE ALIMENTAÇÃO CA

G — DISPLAYPORT CABLE (1.5M)

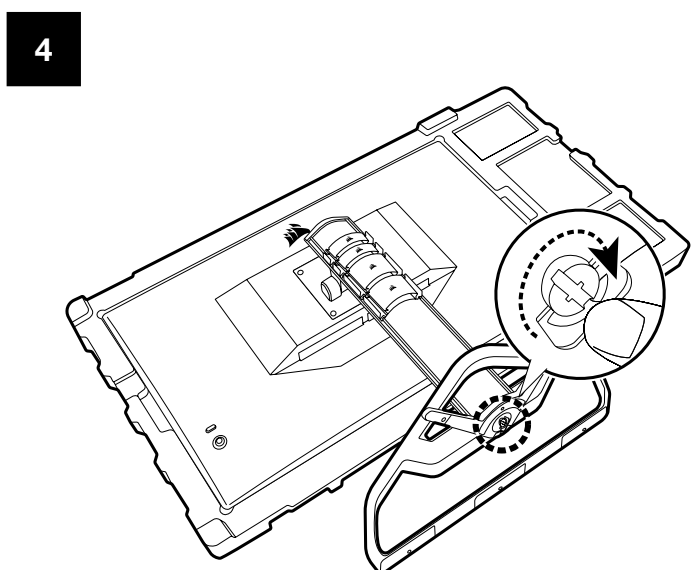
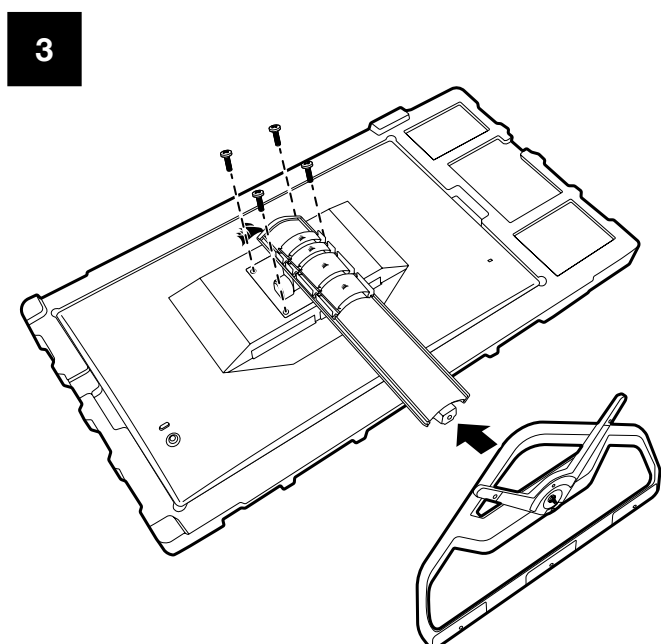
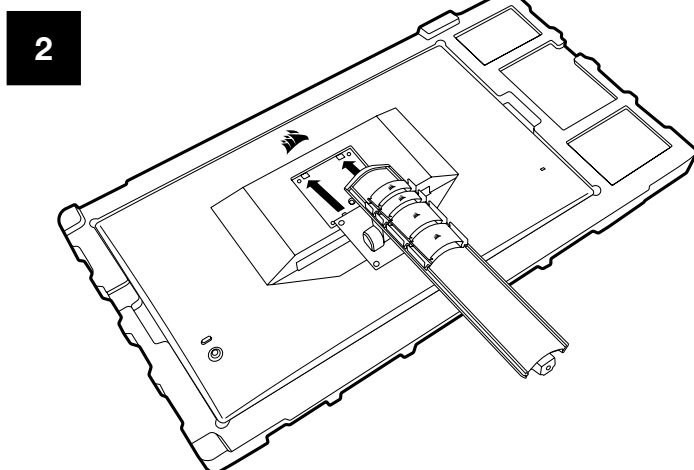
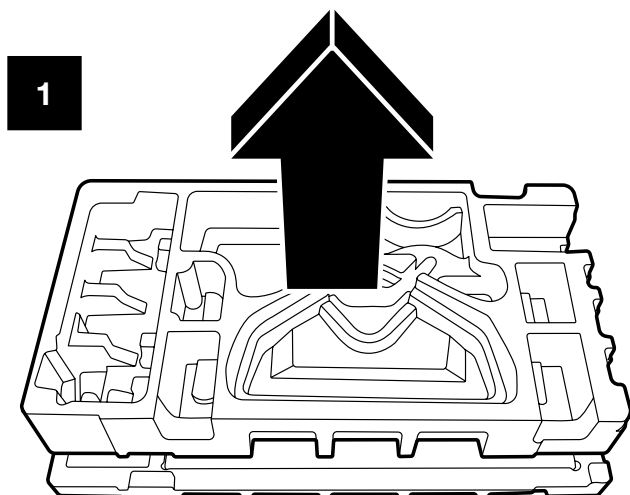
H — CABO HDMI (1,5 M)

I — CABO USB-C (1,5 M)

MONTAGEM

Antes de começar, necessita de uma chave de fendas Phillips.

1. Retire a camada superior de espuma que inclui os acessórios e o suporte para expor a parte traseira do painel.
2. Abra cuidadosamente o saco de espuma que cobre o painel (veja a imagem 1) para expor a área de montagem. Não retire o painel do saco.
3. Alinhe o pilar do monitor com as ranhuras de montagem existentes na parte traseira do painel (veja a imagem 2). Encaixe os ganchos superiores nas ranhuras de montagem existente na parte traseira do painel. Com uma chave de fendas Phillips, fixe o pilar ao painel com os 4 parafusos.
4. Fixe a base do suporte ao pilar do monitor (veja a image 3) e aperte o parafuso prisioneiro à parte inferior do pilar (veja a imagem 4).
5. Retire lentamente o monitor da embalagem e coloque-o na vertical na secretária. Não toque na parte frontal do painel enquanto levanta o monitor.



AJUSTE DE INCLINAÇÃO, ARTICULAÇÃO E ALTURA

O seu ecrã Xeneon integra um suporte robusto e sofisticado que permite o ajuste de inclinação, articulação e altura

- Inclinação -5 / +20 graus
- Articulação +/- 30 graus
- Intervalo de ajuste de altura 110 mm (497 mm ~ 607 mm)

Inclinação



Ajuste de articulação e altura

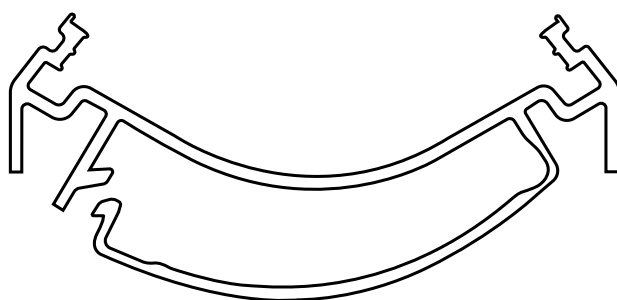


GESTÃO DE CABOS, SUPORTE PARA CÂMARA (OPCIONAL) E OUTRAS OPÇÕES DE MONTAGEM



O ecrã Xeneon tem a gestão de cabos RapidRoute incorporada para manter a sua secretária organizada. Há 4 cliques de cabos ajustáveis que deslizam para cima e para baixo no pilar do monitor para permitir personalizar as suas necessidades de organização de cabos. Abra cada clipe de cabos ao premir o fecho de polegar à esquerda e ao puxar para fora pelo clipe de cabos.

Se precisar de remover os cliques de cabos, retire a base do pilar fazendo deslizar os cliques de cabos para baixo e para fora dos guias de canal.



COMPATIBILIDADE COM BRAÇO FLEXÍVEL ELGATO

A parte superior do pilar do ecrã Xeneon integra um conector de ¼" para permitir acrescentar o braço flexível Elgato e o kit de adaptador de montagem de câmara (vendidos separadamente) para fixar uma câmara à parte superior do ecrã Xeneon. Estes acessórios estão disponíveis para compra diretamente na Corsair.

- Kit de suporte esférico e adaptador de câmara Xeneon (CM-8900001)
- Braço flexível S (10AAH9901) ou braço flexível L (10AAC9901) Elgato

O vídeo de configuração e as instruções para o suporte de câmara estão disponíveis em

<https://www.corsair.com/xeneon-quickstart>

A division of CORSAIR

elgato 



Braço flexível S



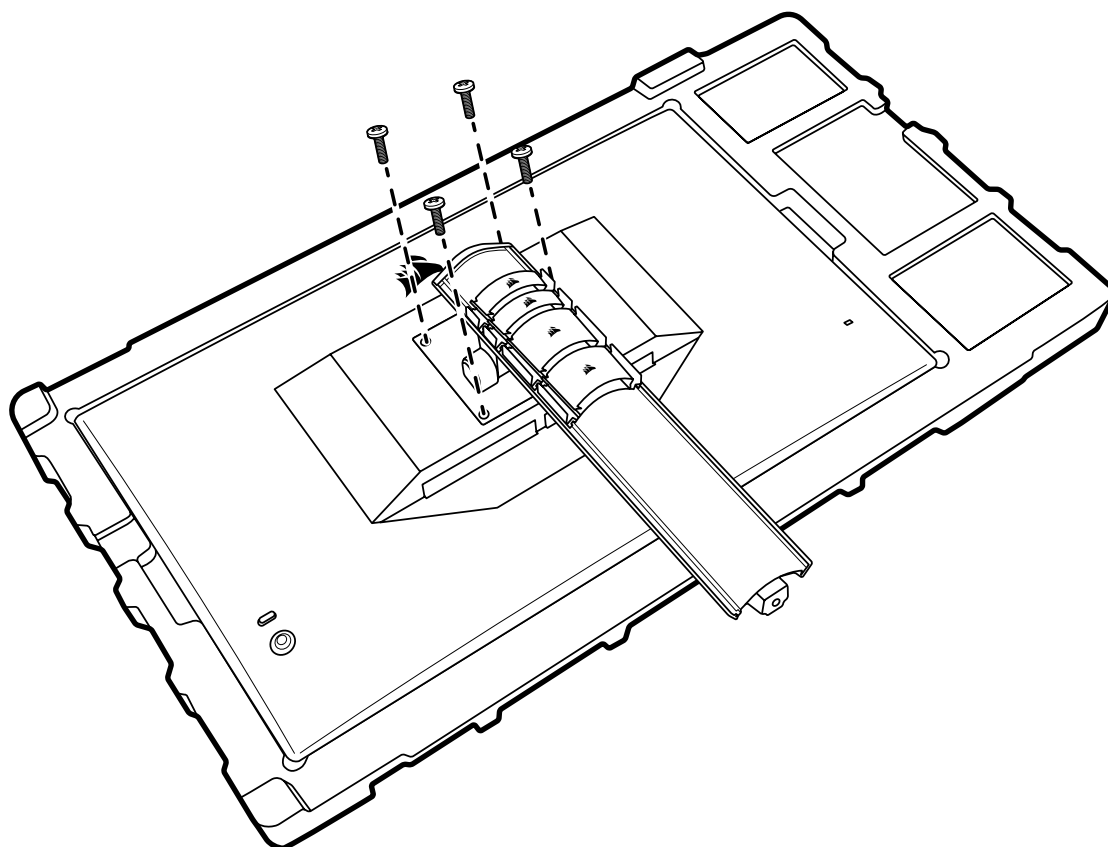
Braço flexível L



COMPATIBILIDADE COM SUPORTE DE PAREDE

Antes de montar o ecrã com um suporte de parede compatível (VESA 100 mm x 100 mm), certifique-se de que:

- Retirou o pilar do ecrã com uma chave de fendas Phillips
- O suporte de parede que adquiriu suporta o peso deste ecrã

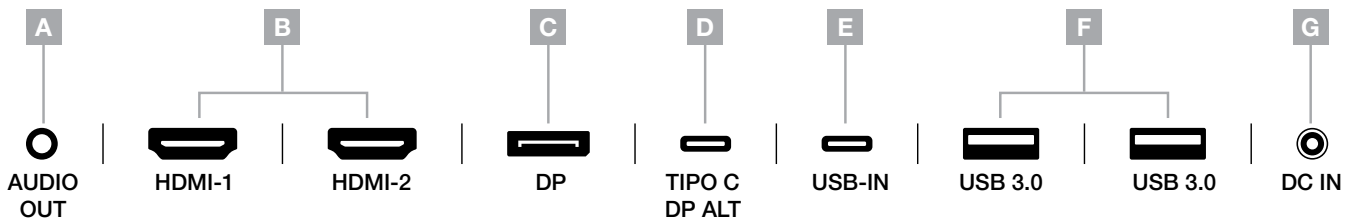


Reveja as instruções do suporte de parede para obter mais informações sobre como montar corretamente o ecrã.

AVISO: O seu ecrã tem quatro orifícios de montagem VESA na parte traseira. Tem de fixar um suporte de parede aos quatro orifícios. Se não utilizar os quatro orifícios, o ecrã pode cair e causar danos materiais ou ferimentos pessoais.

Nota: os parafusos do suporte de parede não estão incluídos. Parafusos: tipo M4, 10 a 12 mm de comprimento, consoante o suporte de parede

CONECTIVIDADE



- A. Ficha de áudio de 3,5 mm
saída de áudio de dispositivos HDMI, DisplayPort e USB-C Alt Mode ligados.
- B. Portas HDMI 2.0
as entradas HDMI duplas correspondem às portas “HDMI1” e “HDMI2”.
- C. Porta DisplayPort 1.4
a entrada DisplayPort corresponde à entrada “DisplayPort”.
- D. Porta USB Tipo C
suporta entrada DisplayPort Alt Mode e entrada USB upstream (liga a portas USB 3.0). Corresponde à entrada “TIPO C”. Esta porta ou a porta upstream USB tem de ser ligada a uma porta compatível com USB no seu dispositivo anfitrião a fim de suportar a funcionalidade CORSAIR iCUE e as portas USB 3.0 downstream.
- E. Porta USB upstream
porta de entrada USB upstream. Esta porta ou a porta USB Tipo C tem de ser ligada a uma porta compatível com USB no seu dispositivo anfitrião a fim de suportar a funcionalidade CORSAIR iCUE e as portas USB 3.0 downstream.
- F. Portas USB 3.0
portas USB Tipo A duplas de 5 Gbps.
- G. DC In
liga ao adaptador CA fornecido.

OPERAÇÃO

Controlos

○  — Ligar/desligar alimentação

 — Premir - abrir definições de visualização

Para cima - abrir controlo deslizante de luminosidade
Para baixo - abrir seleção de modo de imagem
Esquerda - abrir controlo deslizante de volume
Direita - abrir seleção de fonte de entrada



O seu monitor inclui um joystick do lado traseiro voltado para a direita, para abrir atalhos e navegar nas definições de visualização. Tenha em atenção que muitas destas definições também podem ser controladas no software CORSAIR iCUE, se tiver o hub USB ligado ao seu computador através de uma porta USB IN. Instale a versão mais recente do iCUE (4.16 ou posterior) disponível em <https://www.corsair.com/us/en/icue>.

Visualização no ecrã (OSD)

Ao premir o joystick para dentro, pode aceder às definições de visualização do monitor. Pode utilizar o joystick para navegar nas definições e ao premir o joystick para dentro, confirma a seleção.

OPERAÇÃO

OSD – Definições de imagem

O primeiro menu, “Imagem”, contém as definições seguintes para ajustar a qualidade global da imagem.



OPERAÇÃO

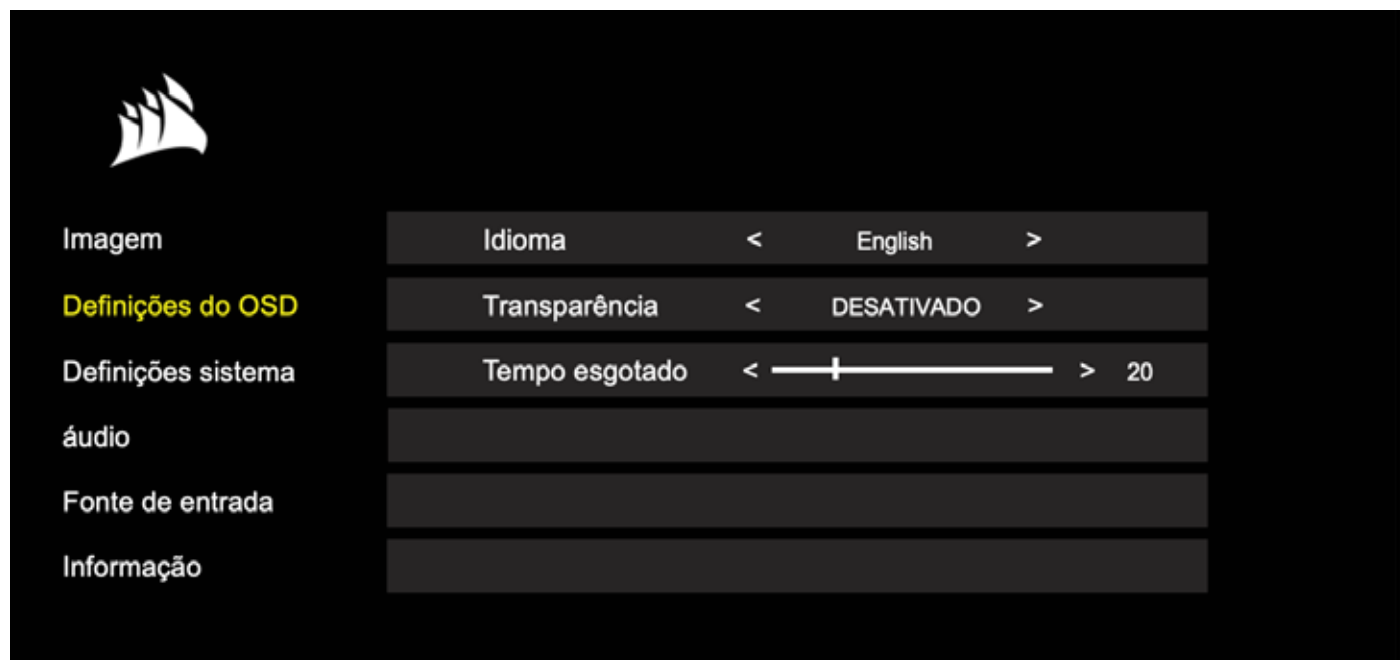
OSD – Definições de imagem

Definição	Opções	Descrição
Modo de imagem	Padrão	Seleciona uma predefinição de visualização calibrada de fábrica para uma utilização geral e para uma poupança de energia ideal.
	Filme	Seleciona uma predefinição de visualização otimizada para ver filmes.
	Texto	Seleciona uma predefinição de visualização otimizada para ler texto.
	sRGB	Seleciona uma predefinição de visualização calibrada de fábrica para a colorimetria sRGB.
	Criativo	Seleciona uma predefinição de visualização calibrada de fábrica para tarefas de criação de conteúdos.
	Jogo	Seleciona uma predefinição de visualização otimizada para reproduzir jogos rápidos.
	HDR	Seleciona uma predefinição de visualização com certificação VESA DisplayHDR400.
Luminosidade	0-100	Ajusta a intensidade da luz de fundo do ecrã.
Contraste	0-100	Ajusta o contraste do ecrã.
Nitidez	0-5	Ajusta o filtro de nitidez do ecrã, aumentando o detalhe dos contornos.
Temperatura da cor	Frio	Define a temperatura da cor do ecrã para 9300 K.
	Normal	Define a temperatura da cor do ecrã para 6500 K padrão.
	Quente	Define a temperatura da cor do ecrã para 5000 K.
	Personalizado	Permite definir manualmente a temperatura da cor do ecrã, com controlos deslizantes que regulam os níveis de vermelho, azul e verde.
Gama	2.0, 2.2, 2.4	Adjusts the relationship between color and brightness; default is 2.2.
Saturação	0-10	Ajusta a intensidade das cores do ecrã.
Proteção ocular	ATIVAR ou DESATIVAR	Reduz as emissões de luz azul do ecrã quando a opção está ativada.
Tempo de resposta	Normal, Rápido, O mais rápido	Permite aumentar a rapidez de transição dos píxeis entre as cores, o que pode reduzir a desfocagem de objetos em movimento rápido.
Atualizar sobreposição	ATIVAR ou DESATIVAR	Ativa/desativa uma sobreposição no canto superior direito que apresenta a taxa de atualização atual do monitor, útil para o rastreio de fotogramas por segundo quando a sincronização adaptável está ativada.
MPRT	ATIVAR ou DESATIVAR	Ativa/desativa a definição “Tempo de resposta de imagem em movimento”, que pode reduzir a desfocagem de objetos em movimento quando estiver “Ativa”.

OPERAÇÃO

OSD – Definição de OSD

O segundo menu, “Definição de OSD”, contém as definições seguintes para ajustar a visualização no ecrã.

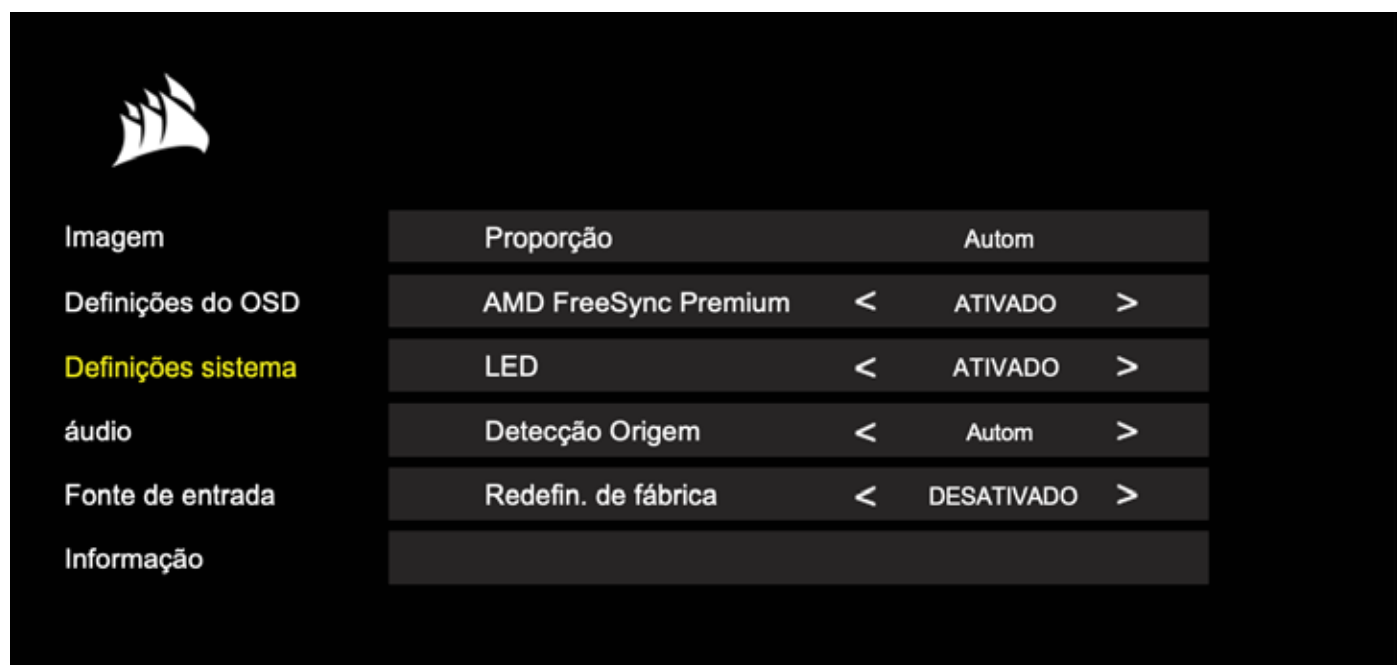


Definição	Opções	Descrição
Idioma	Inglês Francês Alemão Italiano Espanhol Japonês Coreano Português Russo Chinês (tradicional)	Seleciona o idioma de visualização no ecrã.
Transparência	ATIVAR ou DESATIVAR	Define a visualização no ecrã para transparente ou opaca.
Tempo limite	10-60	Ajusta quanto tempo (em segundos) a visualização no ecrã se mantém no ecrã antes de desaparecer.

OPERAÇÃO

OSD – Definição de sistema

O terceiro menu, “Definição de sistema”, contém as definições seguintes para ajustar as definições internas do monitor.



OPERAÇÃO

OSD – Definição de sistema

Definição	Opções	Descrição
Relação de aspeto	Auto, 4:3, 16:9	Selects the display's Relação de aspeto. "Auto" will try to match the display's aspect ratio to the incoming video signal. Not available with Adaptive Sync enabled.
AMD FreeSync Premium	ATIVAR ou DESATIVAR	<p>Ativa ou desativa a funcionalidade de sincronização adaptável quando existe ligação a GPU compatível. Selecione a opção de ativação para ativar a sincronização adaptável para AMD FreeSync através de HDMI.</p> <p>A compatibilidade com NVIDIA G-Sync está disponível quando a ligação é efetuada através de um cabo DP ou USB Tipo C Alt Mode a GPU compatível. Para a funcionalidade NVIDIA G-Sync:</p> <ul style="list-style-type: none">• Instalar/abrir o painel de controlo NVIDIA• Selecione "Configurar G-Sync"• Selecione a opção Ativar compatibilidade G-Sync• Select the 32QHD165/RDD0013• Selecione a opção "Ativar definições para o modelo de ecrã selecionado". <p>Pode ser necessário um reinício do sistema para aceder às definições NVIDIA.</p>
LED	ATIVAR ou DESATIVAR	Seleciona a ativação ou a desativação do indicador LED de alimentação frontal
Deteção de fonte	AUTO ou MANUAL	Determina se o monitor muda automaticamente para uma entrada diferente se detetar um sinal, ou se tem de mudar manualmente as entradas.
USB-C Alt Mode (só presente quando o ecrã estiver ligado através da porta de vídeo USB-C)	4 pistas 2 pistas	<p>Ativa/desativa o número de pistas USB para utilizar na porta USB-C para vídeo.</p> <ul style="list-style-type: none">• O modo de 4 pistas permite uma resolução até 2560 x 1440 @ 165 Hz, mas reduz a velocidade das portas USB Tipo A para USB 2.0• O modo de 2 pistas permite até 2560 x 1440 @ 120 Hz, mas ativa USB Tipo A à velocidade USB 3.0
Reposição de fábrica	-	Repõe todas as predefinições de fábrica do monitor.

OPERAÇÃO

OSD – Áudio

O quarto menu, “Áudio”, permite controlar o áudio do monitor.

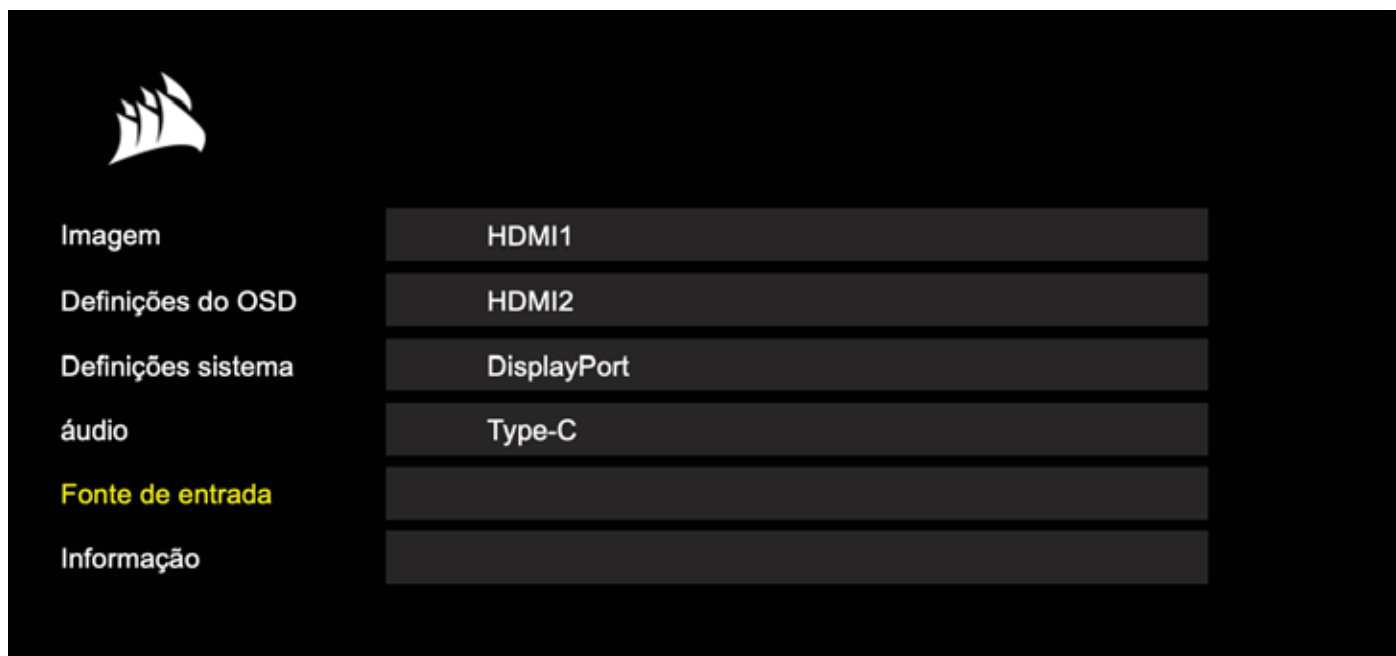


Definição	Opções	Descrição
Volume	0-100	Ajusta o volume da saída de áudio da ficha de auscultadores.
Entrada de áudio	Auto, HDMI-1, HDMI-2, DisplayPort, USB-C	Seleciona a entrada a partir da qual o monitor passa o áudio para a ficha de auscultadores. “Auto” utiliza a entrada atual.

OPERAÇÃO

OSD – Seleção de entrada

O quinto menu, “Seleção de entrada”, permite alternar entre as diversas entradas do monitor.



Definição	Descrição
HDMI-1	Muda para o dispositivo ligado à porta HDMI-1.
HDMI-2	Muda para o dispositivo ligado à porta HDMI-2.
DisplayPort	Muda para o dispositivo ligado à porta DisplayPort “DP”.
TIPO C	Muda para o dispositivo ligado à porta TIPO C.

OPERAÇÃO

OSD – Informações

Fornece o estado atual das definições para as principais funcionalidades.

A screenshot of the OSD (On-Screen Display) information menu. It features a white flame-like logo in the top left corner. The menu is presented as a list of settings on the left, with corresponding values on the right. The 'Informação' item is highlighted in yellow. The background is black with white text.

Imagem	Fonte	DisplayPort
Definições do OSD	Resolução	2560X1440
Definições sistema	Atual. sobreposição	165Hz
áudio	AMD FreeSync Premium	ON
Fonte de entrada	HDR	ON
Informação	Versão de FW	P08

OPERAÇÃO

Perguntas frequentes/resolução de problemas

Pergunta	Resposta
LED de alimentação inativo	Prima o botão de alimentação existente na parte traseira do monitor para verificar se está ativo.
	Veja se o cabo de alimentação está ligado ao monitor e ao adaptador de alimentação.
	Verifique se a opção de LED de alimentação do menu Definição de sistema de OSD está ativada.
Sem imagem no ecrã	Verifique se o monitor está ligado.
	Veja se o cabo de vídeo está devidamente ligado ao monitor e ao dispositivo de origem.
	Verifique a qualidade do cabo de vídeo e certifique-se de que não apresenta danos. Evite usar cabos de vídeo e extensões de fraca qualidade.
	Verifique qual a definição da entrada da fonte de vídeo do monitor (se a funcionalidade de fonte automática estiver desativada na visualização no ecrã).
	Ligue outro dispositivo de origem para testar a entrada de vídeo do monitor.
	Ligue o dispositivo de origem a outro monitor disponível para testar a saída de vídeo.
	Avoid hot-plugging the monitor. Have the monitor connected to the source prior to powering up the source Dispositivo.
Imagem demasiado clara/escura	Adjust the brightness/Gama/contrast settings via the OSD.
	Reponha as predefinições de fábrica do monitor.
Sinal de vídeo não suportado	Check the video output settings of the source Dispositivo. Supported input resolutions for the CORSAIR XENEON 32QHD165 Gaming Monitor are located on page 22 .

OPERAÇÃO

Perguntas frequentes/resolução de problemas

Pergunta	Resposta
O CORSAIR XENEON 32QHD165 suporta vídeo por USB-C?	Sim, the CORSAIR XENEON 32QHD165 supports DisplayPort over USB-C through the dedicated TIPO C DP ALT input. Use the included 1.5m TIPO C cable or a quality USB TIPO C cable that supports USB 3.2 Gen 2 for best results.
Não consigo utilizar dispositivos ligados às portas USB-A do meu monitor quando estão ligadas ao meu dispositivo que suporta USB-C Alt Mode com um único cabo USB-C.	USB-C Alt Mode, by default will operate in "4 lane" mode which allows for full DisplayPort resolution over USB-C, however this disables the use of the USB Type-A ports. To re-enable the USB Type-A ports when connected solely via the TIPO C DP ALT input, switch to "2 lane" mode which will limit the supported video output resolution in order to re-enable the USB Type-A ports for peripherals connected to the monitor's USB Type-A ports. Alternatively, you may connect the source Dispositivo to the USB downstream port as well as the TIPO C DP ALT port for full video resolution and USB port functionality. Ensure that you're using a quality USB TIPO C cable that supports USB 3.2 Gen 2 for best results.
A imagem está esticada/compactada	Verifique a definição de "Relação de aspeto" em "Definição de sistema". Por predefinição, esta está configurada para "Auto", mas em determinados casos, poderá precisar de definir manualmente uma relação de aspeto (p. ex. determinadas combinações de adaptadores e consolas de jogos retro).
A imagem tem problemas de cor	Verifique a qualidade do cabo de vídeo e certifique-se de que não apresenta danos. Evite usar cabos de vídeo e extensões de fraca qualidade.
	Reponha as predefinições de fábrica do monitor. Ajuste as definições de imagem através de OSD.
Artefactos na imagem do ecrã	Verifique a qualidade do cabo de vídeo e certifique-se de que não apresenta danos.
	Verifique o dispositivo de origem, pois para uma placa gráfica ou uma consola de jogos avariada, pode ter de contactar o fabricante para obter assistência.
O monitor tem um píxel morto	A CORSAIR tem uma política de "Zero Píxeis Mortos" para monitores. Se o monitor tiver 1 ou mais píxeis claros ou 6 ou mais subpíxeis pretos, será trocado durante o período de garantia de 3 anos.
Que tipo de suporte VESA é compatível?	O CORSAIR XENEON 32QHD165 suporta um suporte padrão de 100 mm x 100 mm, a cabeça do monitor tem de ser removida do suporte. Utilize os parafusos de montagem fornecidos com o suporte VESA.

OPERAÇÃO

Perguntas frequentes/resolução de problemas

Pergunta	Resposta
Posso montar uma webcam ou uma câmara DSLR/sem espelhos?	O CORSAIR XENEON 32QHD165 suporta webcams padrão que assentam sobre a moldura superior do ecrã, assim como câmaras DSLR/sem espelho maiores quando são utilizadas com o kit de adaptador de montagem múltipla Elgato para XENEON e o kit de braço flexível L/S Elgato (tanto o kit de adaptador como os kits de braço flexível são vendidos separadamente)
O meu monitor CORSAIR XENEON não é detetado por CORSAIR iCUE	Verifique se o seu PC tem instalada a versão mais recente do CORSAIR iCUE. O CORSAIR XENEON 32QHD165 é suportado na versão 4.15 ou mais recente do iCUE.
	Verifique se o cabo ligado à porta USB-C upstream do monitor e à porta USB 3.0 do PC está ligado corretamente. Se possível, evite ligar o monitor através de um hub USB ou uma extensão. Recomendamos vivamente que utilize o cabo USB-C fornecido com o monitor CORSAIR XENEON para obter os melhores resultados.
Que opções de taxa de atualização adaptável estão disponíveis para CORSAIR XENEON?	O CORSAIR XENEON 32QHD165 tem a certificação para AMD FreeSync Premium e também é compatível com NVIDIA G-SYNC.
AMD FreeSync/G-SYNC não estão ativados.	Certifique-se de que a opção AMD FreeSync está ativada através da visualização no ecrã.
	Verifique as definições da placa gráfica e certifique-se de que as opções AMD FreeSync/NVIDIA G-SYNC estão ativadas. AMD FreeSync funciona através de qualquer uma das portas de vídeo. A compatibilidade com NVIDIA G-Sync só funciona através das portas DP ou USB Tipo C Alt-Mode DP
Não obtenho a taxa de atualização nominal de 165 Hz do monitor.	Verifique as definições de visualização da placa gráfica/do sistema e certifique-se de que a taxa de atualização de 165 Hz foi ativada. Consulte a tabela de modo de visualização suportado no Anexo para ver as opções disponíveis.
	Verifique a qualidade do cabo de vídeo e certifique-se de que não apresenta danos. Evite usar cabos de vídeo e extensões de fraca qualidade.

ANEXO

Especificações técnicas

Nome do produto	XENEON 32QHD165
Número de referência	CM-9020001
Dispositivo	32QHD165 / RDD0013
USB Hub ID	CORSAIR USB 3.0 Hub
Tamanho do painel	32" Diagonal
Superfície do monitor	Sem reflexo
Píxeis por polegada	91,8
Relação de aspeto	16:9
Resolução nativa	2560 x 1440 @ 165 Hz
Tempo de resposta (MPRT)	1 ms
Tempo de resposta (GtG)	<3ms
Cores do monitor	16.7M (RGB de 8 bits)
Tecnologia do painel	IPS com tecnologia Quantum Dot
Sem cintilação	Sim
Ângulos de visualização	178° (H)/178° (V)
Luminosidade máxima	400 nits (SDR)/440 nits (HDR)
Relação de contraste estática	1000:1
Certificação HDR	VESA DisplayHDR 400
Gama de cores (CIE 1976)	98% (DCI-P3), 100% (AdobeRGB), 100% (sRGB)
Taxa de atualização variável	Certificação AMD FreeSync Premium, compatibilidade com NVIDIA G-Sync
Entrada HDMI	2x HDMI 2.0
Entrada DisplayPort	1x DisplayPort 1.4
Entrada USB-C	1x DisplayPort 1.4 (USB-C Alt Mode), fornecimento de energia de 15 W, upstream de dados de 5 Gbps USB
Entrada USB-C upstream	1x USB-C de 5 Gbps
Saída USB-A	2x USB Tipo A de 5 Gbps (5 V/0,9 A *2)
Áudio de 3,5 mm	Passagem de entrada de vídeo

ANEXO

Especificações técnicas

Consumo de energia (ligado)	68 W
Consumo de energia (suspensão)	<0,5 W
Consumo de energia (desligado)	<0,3 W
Compatibilidade VESA	100 mm x 100 mm
Dimensões	732 mm x 607 mm x 316 mm (L x A x P)
Peso	9,5 kg
Inclinação do suporte	-5°/+20°
Articulação do suporte	-30°/+30°
Intervalo de ajuste de altura do suporte	110 mm
Adaptador CA	90 W
	Nota: o seu dispositivo utiliza a seguinte fonte de alimentação: Asian Power Dispositivos Inc./DA-90J19

Modos de visualização suportados

Resolution	Taxa de atualização
640x480	60, 67, 72, 75Hz
800x600	56, 60, 72, 75Hz
1024x768	60, 70, 75Hz
1280x1024	60, 75Hz
1440x900	60Hz
1680x1050	60Hz
1920x1080	30, 50, 60, 100, 120Hz
2560x1440	30*, 60, 120, 144*, 165Hz**
3840x2160***	30, 60Hz

*Apenas HDMI.

**DisplayPort/USB-C Alt Mode (4-lane) apenas.

***A escala da imagem é reduzida para a resolução nativa.

ANEXO

Valores de predefinições de imagem

Definição	Padrão	Filme	Jogo	Texto	Criativo	sRGB	HDR
Luminosidade	Varia consoante a região*	100	100	30	100	27	100
Contraste	50	50	50	50	50	50	50
Nitidez	5	7	6	5	5	5	5
Temperatura da cor	Normal	Normal	Normal	Quente	Normal	sRGB	Normal
Gama	2.2	2.2	2.2	2.2	2.2	sRGB	2.2
Saturação	0	2	1	0	0	0	0
Luz azul reduzida	Desligado	Desligado	Desligado	Desligado	Desligado	Desligado	Desligado
Tempo de resposta	Rápido	Rápido	Rápido	Normal	Normal	Normal	Rápido
MPRT	Desligado	Desligado	Desligado	Desligado	Desligado	Desligado	Desligado

* A luminosidade predefinida varia consoante a região

- América do Norte = 40
- Europa = 30
- Reino Unido = 30
- Ásia = 60

Divulgação legal relativa a HDMI



HDMI

As marcas comerciais HDMI, HDMI High-Definition Multimedia Interface e o logótipo HDMI são marcas comerciais ou marcas comerciais registadas da HDMI Licensing Administrator, Inc. nos Estados Unidos e noutros países.

Os termos HDMI, HDMI High-Definition Multimedia Interface e o logótipo HDMI são marcas comerciais ou marcas comerciais registadas da HDMI Licensing Administrator, Inc.

目錄

注意事項	2
包裝內容	3
組件	4
傾斜、旋轉和高度調整	5
纜線管理、相機支座 (選用) 與其他安裝選項	6
連接能力	9
操作	10
控制	10
螢幕上顯示 (OSD)	10
OSD – 圖片設定	11
OSD – OSD 設定	13
OSD – 系統設定	14
OSD – 音訊	16
OSD – 輸入選取	17
OSD – 資訊	18
常見問題 / 疑難排解	19
規格	22
技術規格	22
支援的顯示模式	23
預設圖片預設值	24

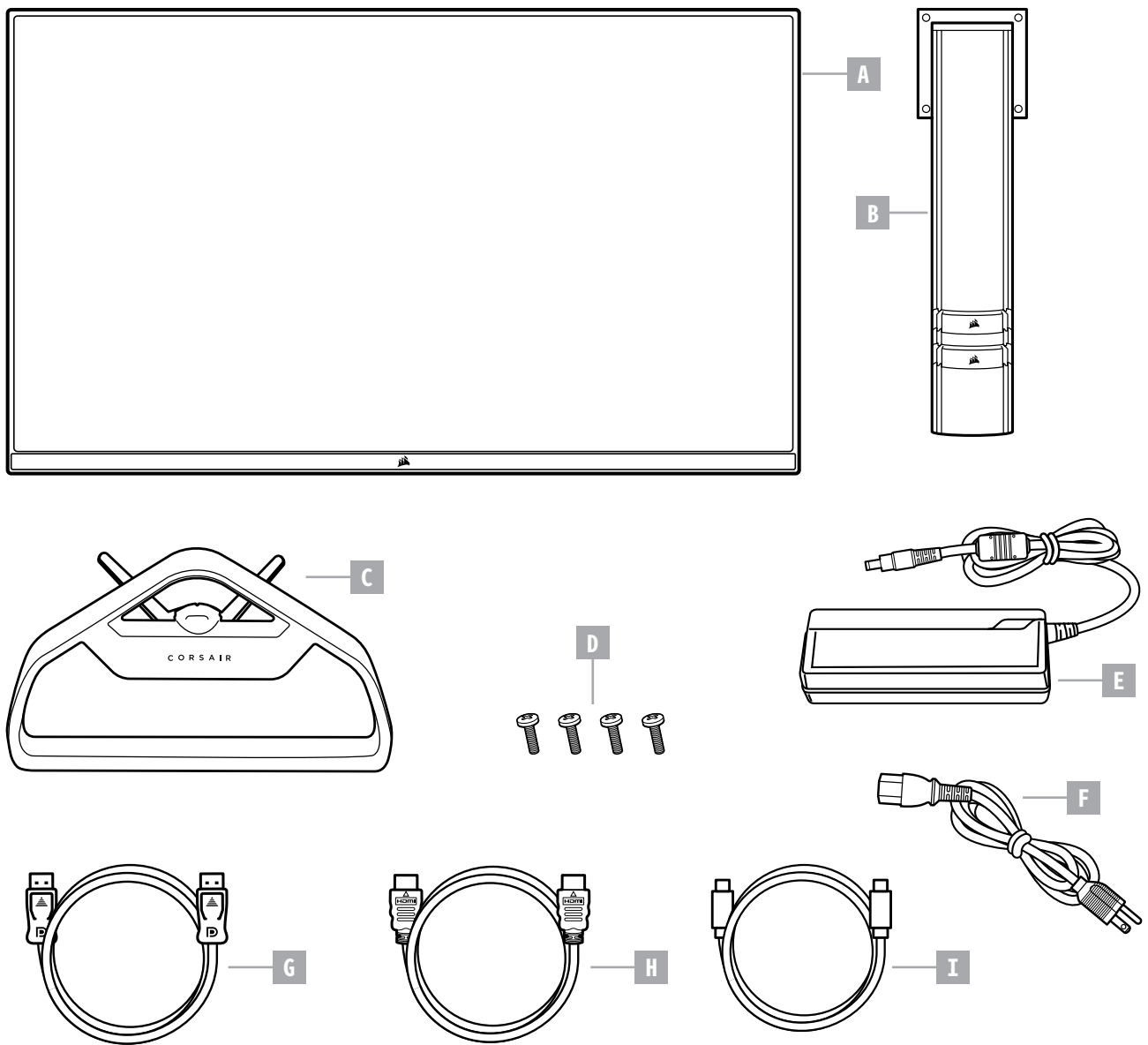


掃描 QR 代碼查看快速入門指南和設定影片

注意事項

- 僅使用螢幕隨附或製造商建議使用的配件。
- 將產品的塑膠包裝袋存放在兒童無法觸及的地方。
- 將螢幕連接至電源插座之前，確認電源線的額定電壓與您所在國家的電力規格相容。
- 電源線插頭必須正確連接至有線的接地電源插座。
- 請勿以濕的雙手觸碰插頭，否則很容易造成觸電。
- 將螢幕置於穩定且通風良好的地方。
- 請勿將螢幕置於任何熱源附近，例如電散熱器或陽光直射處。
- 螢幕上的孔洞或開口用於通風。請勿以任何物品覆蓋或阻擋通風孔。
- 請勿在水、飲料或任何液體類型附近使用螢幕。若無法這麼做，可能會造成觸電或損壞螢幕。
- 清潔之前，務必從電源插座拔下螢幕插頭。
- 由於螢幕表面很容易刮傷，請避免以任何堅硬或尖銳的物品觸碰表面。使用不含棉絨的柔軟布料擦拭螢幕，不要使用面紙。如有需要，您可以使用玻璃清潔劑清潔設備。不過，請勿將清潔劑直接噴灑在螢幕上。
- 若設備長時間沒有在使用，請拔除電源線。
- 請勿嘗試自行拆解或維修螢幕。

XENEON 32QHD165 顯示器內容



A — XENEON 32QHD165 顯示器面板

B — 安裝柱

C — 支架

D — 安裝螺絲 (X4)

E — 交流電轉接器

F — 交流電源線

G — DISPLAYPORT CABLE (1.5M)

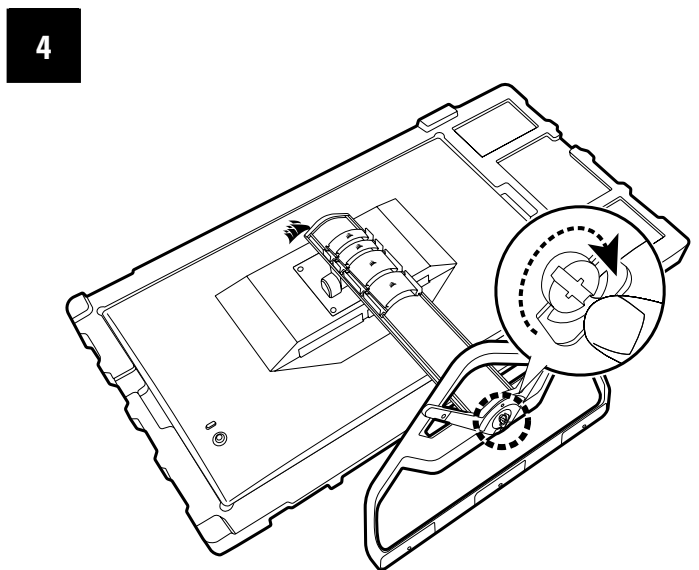
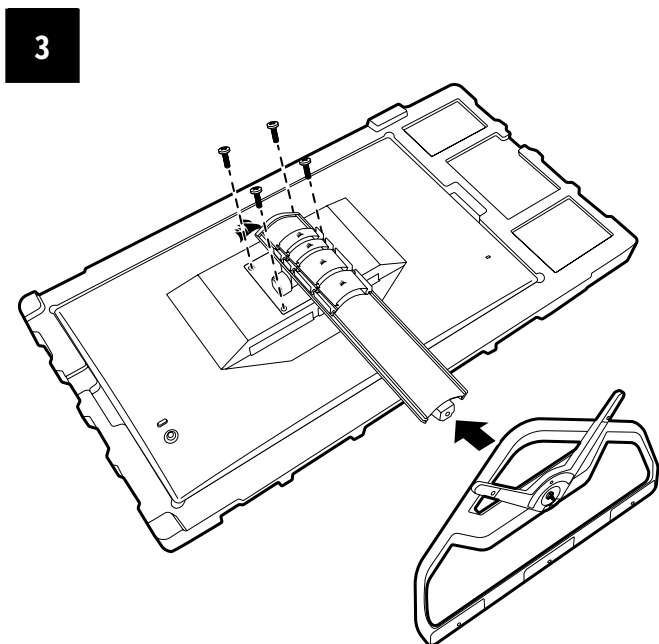
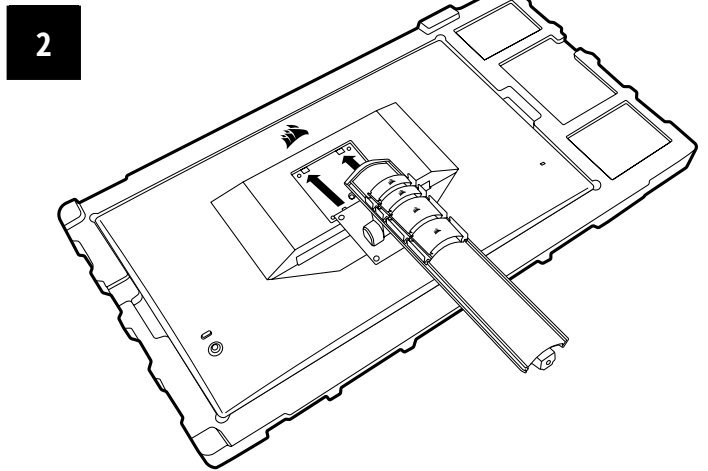
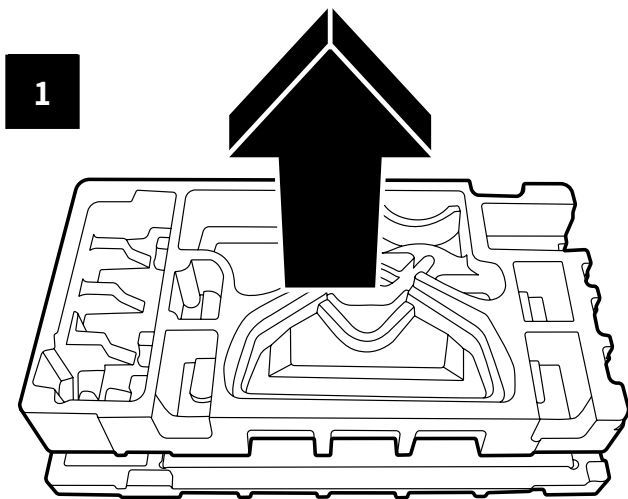
H — HDMI 纜線 (1.5 公尺)

I — USB-C 纜線 (1.5 公尺)

組件

在開始之前，需要十字頭螺絲起子。

1. 取下包括配備和支架的泡棉頂層，以露出面板後側。
2. 小心開啟覆蓋面板的泡棉袋 (參見圖 1) 以露出安裝區域。請勿從泡棉袋拆下面板。
3. 對齊螢幕支柱與面板後側的安裝槽 (參見圖 2)。將上方勾子滑進面板後側的安裝槽。使用十字頭螺絲起子，以 4 個螺絲將支柱固定在面板上。
4. 將支架底座連接至螢幕支柱 (參見圖 3) 並將專用指旋螺絲緊緊旋入支柱底部 (參見圖 4)。
5. 緩慢地從包裝中取出螢幕，並直立放在桌上。抬起螢幕時，請勿觸碰面板前側。



傾斜、旋轉和高度調整

Xeneon 顯示器的特點是堅固且時尚的支架,可用來調整傾斜、旋轉和高度

- 傾斜 -5 / +20 度
- 旋轉 +/- 30 度
- 高度調整範圍 110mm (497mm ~ 607mm)

傾斜



旋轉與高度調整

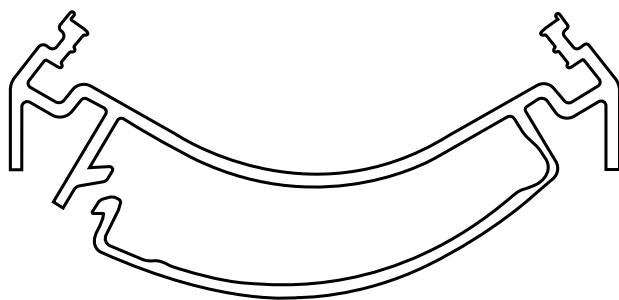


纜線管理、相機支座（選用）與其他安裝選項



Xeneon 顯示器具有內建 RapidRoute 纜線管理，以保持桌面整潔。有 4 個可調式纜線夾可向上和向下滑動螢幕支柱，以便自訂您的纜線管理需求。向左按住姆指扣環並拉開纜線夾，以開啟每個纜線夾。

若您需要取下纜線夾，請向下滑動纜線夾並滑出通道導件，以從支柱拆下底座。



ELGATO 彈性臂相容性

Xeneon 顯示器支柱頂端以 1/4" 連接器為特色, 可以附加 Elgato 彈性臂和相機安裝轉接器套件 (另售), 以將相機連接至 Xeneon 顯示器頂端。可直接向 Corsair 購買這些配件。

- Xeneon 相機轉接器與球形支座套件 (CM-8900001)
- Elgato 彈性臂 (小) (10AAH9901) 或彈性臂 (大) (10AAC9901)

Setup video and instructions for Camera Mount is available at <https://www.corsair.com/xeneon-quickstart>

A division of CORSAIR



彈性臂 (小)



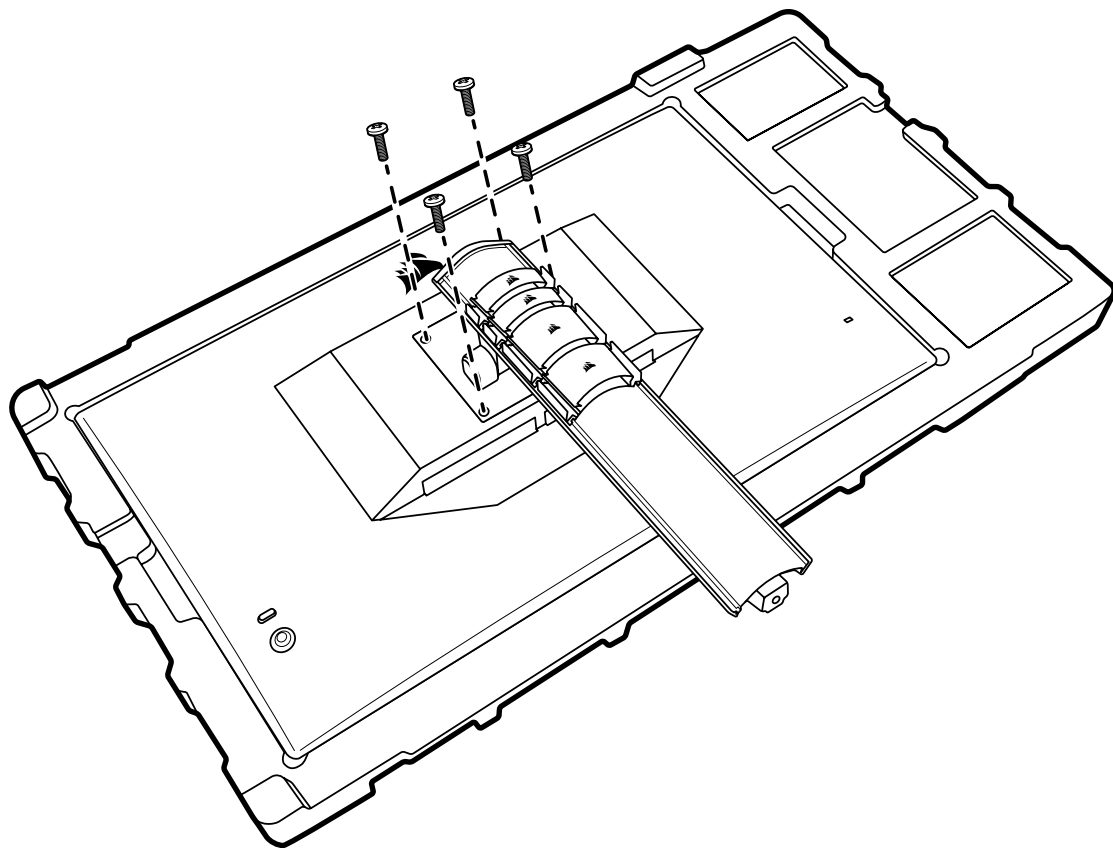
彈性臂 (大)



壁掛架相容性

使用相容的壁掛架 (VESA 100mm x 100mm) 安裝顯示器之前, 請確認:

- 您已使用十字頭螺絲起子從顯示器拆下支架
- 您購買的壁掛架支援此顯示器的重量

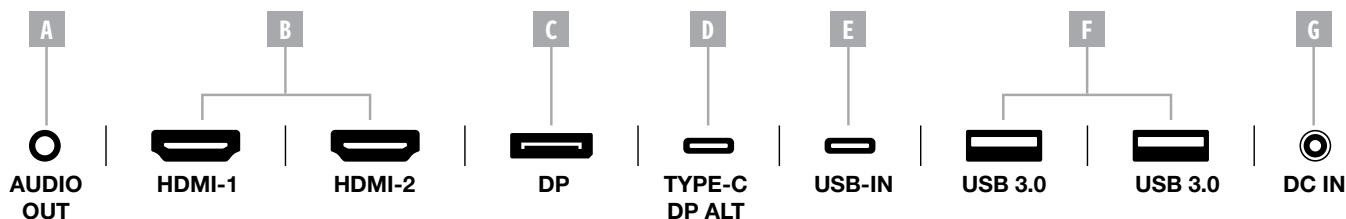


檢閱壁掛架隨附的說明, 瞭解更多關於如何正確安裝顯示器的資訊。

警告：顯示器背面具有四個 VESA 安裝孔。您必須將壁掛架支架固定在全部四個孔。若您沒有使用全部四個孔，顯示器可能會掉落，造成財產損失或人員受傷。

注意：不含壁掛架螺絲。螺絲：類型 M4，10mm 至 12mm 長度，視壁掛架而定

連接能力




- A. 3.5mm 音訊插孔
來自連接的 HDMI、DisplayPort 和 USB-C Alt 模式裝置的音訊輸出。
- B. HDMI 2.0 連接埠
雙 HDMI 輸入對應至「HDMI1」和「HDMI2」輸入。
- C. DisplayPort 1.4 連接埠 – DisplayPort 輸入對應至「DisplayPort」輸入。
- D. USB Type-C 連接埠
支援 DisplayPort Alt 模式和上游 USB 輸入 (連接至 USB 3.0 連接埠)。對應至「TYPE-C」輸入。此連接埠或 USB 上游連接埠必須連接至主機裝置上具有 USB 功能的連接埠, 才能支援 CORSAIR iCUE 功能和下游 USB 3.0 連接埠。
- E. USB 上游連接埠
上游 USB 輸入連接埠。此連接埠或 USB Type-C 連接埠必須連接至主機裝置上具有 USB 功能的連接埠, 才能支援 CORSAIR iCUE 功能和下游 USB 3.0 連接埠。
- F. USB 3.0 連接埠
雙 Type-A 5Gbps USB 連接埠。
- G. DC 輸入
連接至隨附的交流電轉接器。

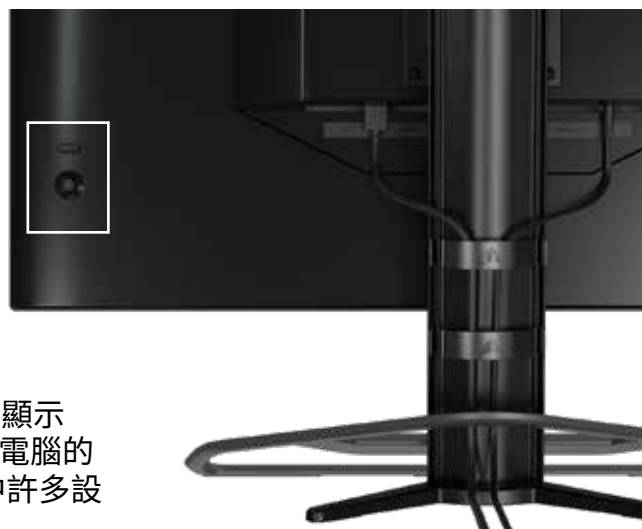
操作

控制

○  — 電源開啟/關閉

 — 按下 - 開啟顯示器設定

向上 - 開啟亮度滑塊
向下 - 開啟圖片模式選取
向左 - 開啟音量滑塊
向右 - 開啟輸入來源選取



您的螢幕包括後側搖桿，可在您的右側開啟捷徑並導覽顯示器設定。請注意，若您有已透過 USB 輸入連接埠連接至電腦的 USB 集線器，也可以在 CORSAIR iCUE 軟體中控制其中許多設定。請安裝最新版本的 iCUE (4.16 或更高版本)，可在 <https://www.corsair.com/us/en/icue> 取得。

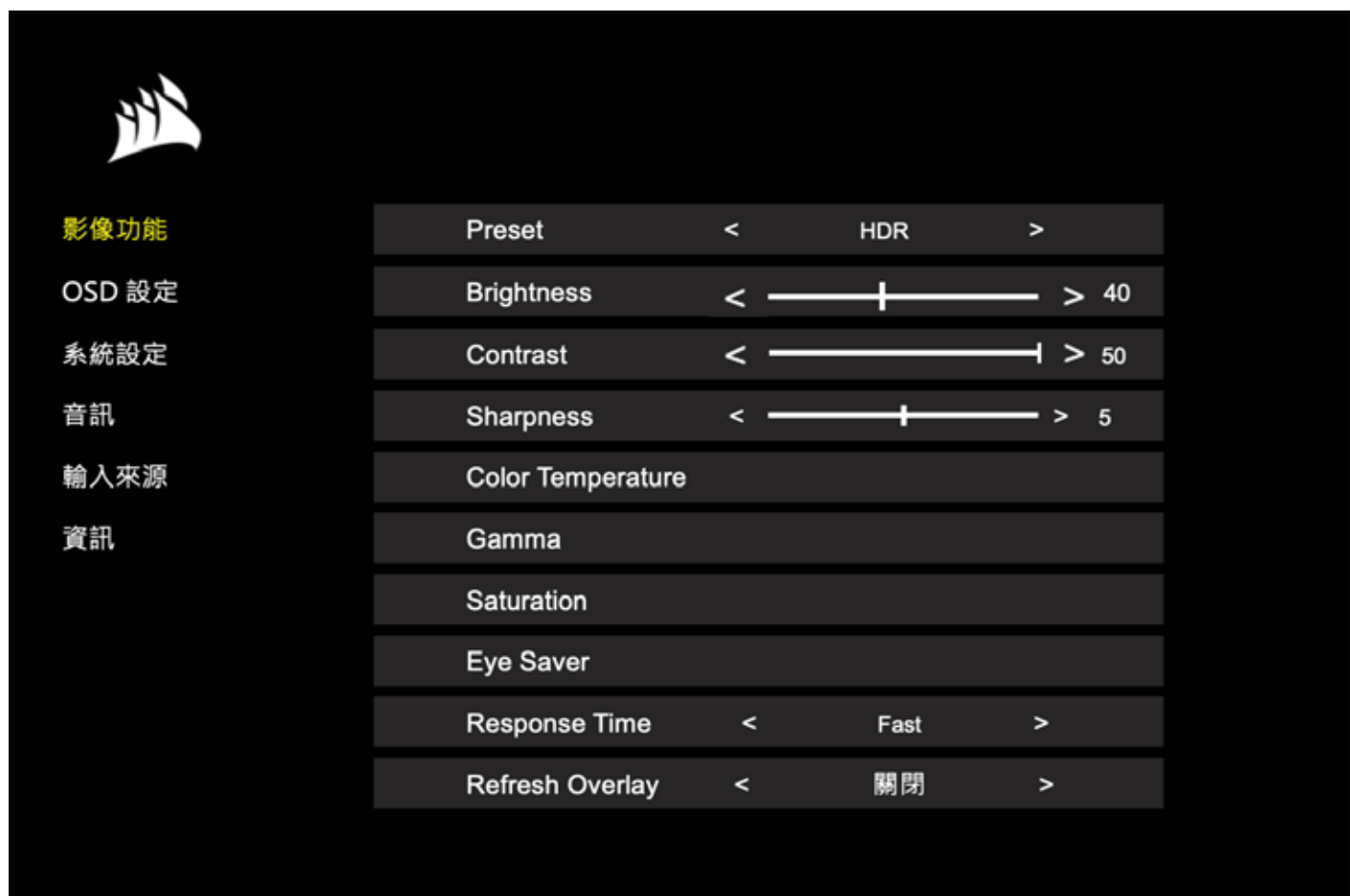
螢幕上顯示 (OSD)

向內按下搖桿後，可以存取螢幕的顯示器設定。您可以使用搖桿導覽設定，而向內按下搖桿將會確認選項。

操作

OSD - 圖片設定

標籤為「圖片」的第一個功能表包含下列用於調整整體圖片品質的設定。



操作

OSD - 圖片設定

設定	選項	說明
圖片模式	標準	選取為了一般使用和最佳節能而校準的顯示原廠預設。
	影片	選取為了觀看影片而最佳化的顯示器預設。
	文字	選取為了閱讀文字而最佳化的顯示器預設。
	sRGB	選取為了 sRGB 色彩空間而校準的顯示原廠預設。
	創意	選取為了內容建立任務而校準的顯示原廠預設。
	遊戲	選取為了進行快速移動的遊戲而最佳化的顯示器預設。
	HDR	選取獲得 VESA DisplayHDR400 認證的顯示器預設。
亮度	0-100	調整顯示器背光強度。
對比度	0-100	調整顯示器的對比度。
清晰度	0-5	調整顯示器的清晰濾鏡, 增加邊緣細節。
色溫	冷	將顯示器的色溫設定為 9300K。
	普通	將顯示器的色溫設定為標準 6500K。
	暖	將顯示器的色溫設定為 5000K。
	自訂	可讓您使用控制紅色、藍色、和綠色程度的滑塊手動設定顯示器的色溫。
色差補正	2.0、2.2、2.4	調整色彩和亮度之間的關係; 預設為 2.2。
飽和度	0-10	調整顯示器色彩濃度。
護眼	開啟或關閉	在啟用後降低顯示器的藍光散發量。
回應時間	普通、快速、超快速	讓您增加像素可以在色彩之間轉換的速度, 這可以讓快速移動的物件降低模糊程度。
重新整理重疊	開啟或關閉	切換顯示螢幕目前更新率的右上角重疊, 啟用適應性同步後, 這對追蹤每秒畫面播放速率很實用。
MPRT	開啟或關閉	切換「移動圖片回應時間」設定, 若設定為「開啟」, 可以讓移動的物件降低模糊程度。

操作

OSD – OSD 設定

標籤為「OSD 設定」的第二個功能表包含下列用於調整螢幕上顯示的設定。



設定	選項	說明
語言	英文 法文 德文 義大利文 西班牙文 日文 韓文 葡萄牙文 俄文 中文 (繁體)	選取 OSD 的語言。
透明度	開啟或關閉	將 OSD 設定為透明或不透明。
逾時	10-60	調整 OSD 在消失前保留在螢幕上的時間 (以秒為單位)。

操作

OSD - 系統設定

標籤為「系統設定」的第三個功能表包含下列用於調整顯示器內部設定的設定。



操作

OSD – 系統設定

設定	選項	說明
長寬比	自動、4:3、16:9	選取顯示器的長寬比。「自動」將會嘗試比對顯示器的長寬比與傳入的影片訊號。不適用於適應性同步啟用時。
AMD FreeSync Premium	開啟或關閉	<p>在連接至相容的 GPU 時啟用或停用適應性同步功能。選取 ON (開啟) 以透過 HDMI 啟用 AMD FreeSync 的適應性同步。</p> <p>透過 DP 纜線或 USB Type-C Alt 模式纜線連接至相容的 GPU 時, NVIDIA G-Sync 相容性可用。對於 NVIDIA G-Sync 功能:</p> <ul style="list-style-type: none">• Install/Open NVIDIA Control Panel• 選取「設定 G-Sync」• 選取「啟用與 G-Sync 相容」核取方塊• Select the 32QHD165/RDD0013• 選取「啟用所選顯示器型號的設定」核取方塊。 <p>可能需要系統重新啟動才能存取 NVIDIA 設定。</p>
LED	開啟或關閉	選取正面電源 LED 指示燈 ON (開啟) 或 OFF (關閉)
來源偵測	自動或手動	判定顯示器若偵測到訊號, 是否將會自動切換為不同的輸入, 或者您是否需要在輸入之間手動切換。
USB-C Alt 模式 (只有在透過 USB-C 視訊連接埠連接顯示器時才存在)	4 通道 2 通道	<p>切換 USB 通道數量以在觀看影片時用於 USB-C 連接埠。</p> <ul style="list-style-type: none">• 4 通道模式最高允許 2560x1440 @ 165Hz 解析度, 但會降低 USB Type-A 連接埠到 USB 2.0 的速度• 2 通道模式最高允許 2560x1440 @ 120Hz 解析度, 但會降低 USB Type-A 在 USB 3.0 的速度
原廠重設	-	將所有螢幕設定重設為原廠預設。

操作

OSD - 音訊

標籤為「音訊」的第四個功能表可讓您控制顯示器的音訊。

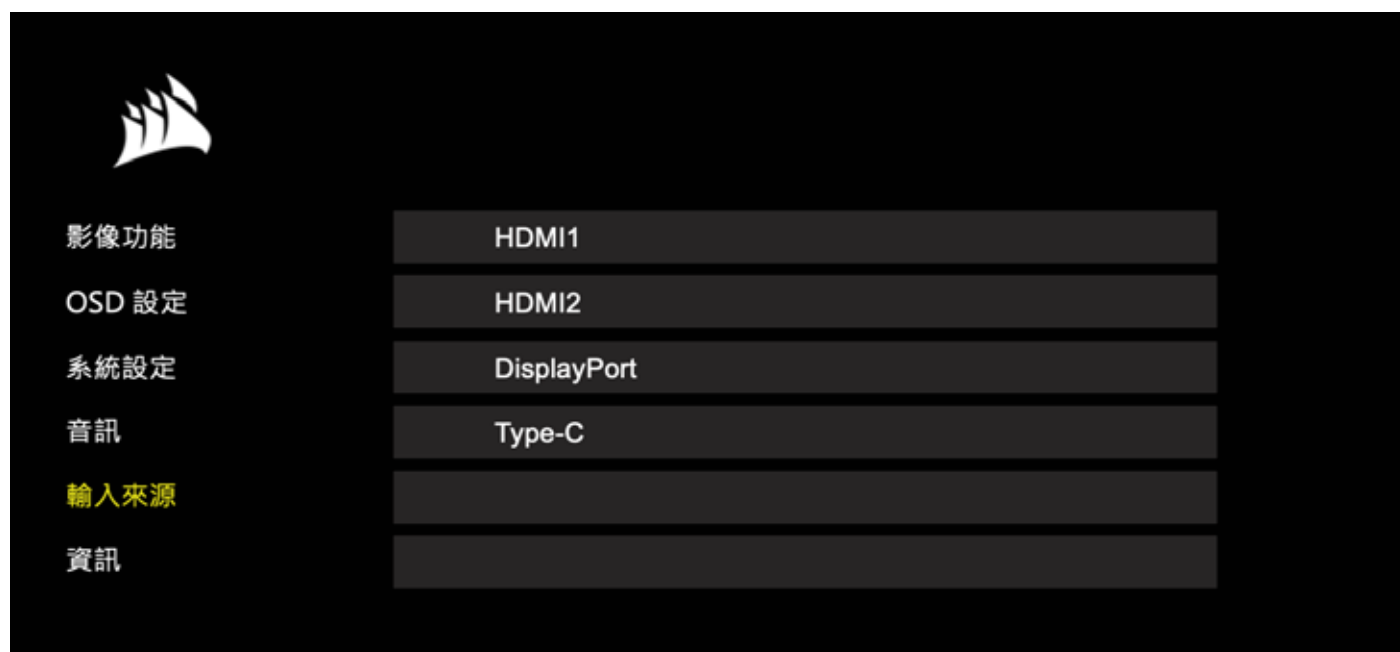


設定	選項	說明
音量	0-100	調整來自耳機插孔的音訊輸出音量。
音訊輸入	Auto, HDMI-1, HDMI-2, DisplayPort, USB-C	選取顯示器從哪個輸入將音訊傳遞至耳機插孔。「自動」將會使用目前輸入。

操作

OSD - 輸入選取

標籤為「輸入選取」的第五個功能表可讓您在顯示器的不同輸入之間切換。



設定	說明
HDMI-1	切換為連接至 HDMI-1 連接埠的裝置。
HDMI-2	切換為連接至 HDMI-2 連接埠的裝置。
DisplayPort	切換為連接至「DP」DisplayPort 連接埠的裝置。
TYPE-C	切換為連接至 TYPE-C 連接埠的裝置。

操作

OSD - 資訊

提供按鍵功能的目前設定狀態。



操作

常見問題 / 疑難排解

問題	回答
電源 LED 燈沒有亮起	按下螢幕背面的電源按鈕，以檢查是否設定為 ON (開啟)。
	檢查電源線是否完全插入到螢幕和變壓器。
	確認 OSD 系統設定功能表中的電源 LED 切換已切換為開啟。
螢幕上沒有影像	檢查螢幕是否開啟。
	檢查視訊纜線是否正確連接至螢幕和來源裝置。
	檢查視訊纜線的品質並確保沒有損壞。避免使用低品質視訊纜線和延長線。
	檢查螢幕設定為哪個視訊來源輸入 (若 OSD 中停用了自動來源功能)。
	連接另一個來源裝置以測試螢幕視訊輸入。
	將來源裝置連接至另一個可用螢幕以測試視訊輸出。
	避免熱插拔螢幕。先將螢幕連接至來源，再讓來源裝置通電。
影像太亮/太暗	透過 OSD 調整亮度/色差補正/對比度設定。
	將螢幕重設為原廠設定。
不支援視訊訊號	檢查來源裝置的視訊輸出設定。CORSAIR XENEON 32QHD165 電競螢幕支援的輸入解析度為：

操作

常見問題 / 疑難排解

問題	回答
CORSAIR XENEON 32QHD165 是否透過 USB-C 支援視訊?	是, CORSAIR XENEON 32QHD165 藉由專用的 TYPE-C DP ALT 輸入, 透過 USB-C 支援 DisplayPort。使用隨附的 1.5m Type-C 纜線或支援 USB 3.2 第 2 代的高品質 USB Type-C 纜線, 可獲得最佳結果。
使用單一 USB-C 纜線連接至支援 USB-C Alt 模式的裝置時, 我無法使用連接至螢幕上 USB-A 連接埠的裝置。	依照預設, USB-C Alt 模式將會以「4 通道」模式操作, 這可透過 USB-C 提供完整的 DisplayPort 解析度, 不過這會停用 USB Type-A 連接埠。若要在僅透過 TYPE-C DP ALT 輸入連接時重新啟用 USB Type-A 連接埠, 請切換至「2 通道」模式, 這將會限制支援的視訊輸出解析度, 以便重新啟用 USB Type-A 連接埠, 將周邊設備連接至螢幕的 USB Type-A 連接埠。或者, 您可以將來源裝置連接至 USB 下游連接埠以及 TYPE-C DP ALT 連接埠, 以獲得完整視訊解析度和 USB 連接埠功能。務必使用支援 USB 3.2 第 2 代的高品質 USB Type-C 纜線, 以獲得最佳結果。
影像被拉伸/擠壓	在「系統設定」之下檢查「長寬比」設定。依照預設, 這設定為「自動」, 不過在特定情況下, 您可能需要手動設定長寬比 (例如: 轉接器和復古遊戲主控台的特定組合)。
影像有顏色問題	檢查視訊纜線的品質並確保沒有損壞。避免使用低品質視訊纜線和延長線。
	將螢幕重設為原廠設定。
	透過 OSD 調整圖片設定。
螢幕上影像有假影	檢查視訊纜線的品質並確保沒有損壞。
	檢查來源裝置, 如有故障的顯示卡或遊戲主控台, 可能需要聯絡製造商尋求協助。
螢幕有壞點	CORSAIR 對螢幕產品提供「零壞點」政策, 若在 3 年保固期間發現 1 個或多個亮點或 6 個以上的暗子像素, 將會更換螢幕。
哪一種 VESA 支座可相容?	CORSAIR XENEON 32QHD165 支援標準 100mm x 100mm 支座, 必須從支架取下螢幕顯示器部分。使用 VESA 支座隨附的安裝螺絲。

操作

常見問題 / 疑難排解

問題	回答
是否可以安裝網路攝影機或 DSLR/無反光鏡相機?	CORSAIR XENEON 32QHD165 支援標準網路攝影機 (置於顯示器的頂端框架) 以及較大的 DSLR/無反光鏡相機, 這應搭配 XENEON 適用的 Elgato 多支座轉接器套件和 Elgato 彈性臂 (大/小) 套件使用 (轉接器套件和彈性臂套件皆為另售)
CORSAIR iCUE 沒有偵測到我的 CORSAIR XENEON 螢幕	檢查您的電腦是否已安裝最新版本的 CORSAIR iCUE。iCUE 版本 4.15 或更高版本支援 CORSAIR XENEON 32QHD165。
	檢查纜線是否連接至螢幕上的 USB-C 上游連接埠以及電腦的 USB 3.0 連接埠是否正確連接。如果可能, 請避免透過 USB 集線器或延長線連接螢幕。我們強烈建議使用 CORSAIR XENEON 螢幕隨附的 USB-C 纜線, 以獲得最佳結果。
哪些適應性重新整理頻率選項可用於 CORSAIR XENEON?	CORSAIR XENEON 32QHD165 獲得 AMD FreeSync Premium 認證, 也與 NVIDIA G-SYNC 相容。
未啟用 AMD FreeSync / G-SYNC。	確認已透過 OSD 啟用 AMD FreeSync。
	檢查顯示卡設定, 並確保已啟用 AMD FreeSync / NVIDIA G-SYNC。AMD FreeSync 可透過任何視訊連接埠運作。NVIDIA G-Sync 相容性僅可透過 DP 或 USB Type-C Alt 模式 DP 運作
我沒有獲得螢幕額定的 165Hz 重新整理頻率。	檢查顯示卡/系統顯示設定並確保已啟用 165Hz 重新整理頻率。請查看附錄中的支援顯示模式表, 瞭解可用選項。
	檢查視訊纜線的品質並確保沒有損壞。避免使用低品質視訊纜線和延長線。

附錄

技術規格

產品名稱	XENEON 32QHD165
零件編號	CM-9020001
裝置	32QHD165 / RDD0013
USB 集線器 ID	CORSAIR USB 3.0 Hub
面板尺寸	32" Diagonal
顯示器表面	無眩光
每英寸像素	91.8
長寬比	16:9
原生解析度	2560 x 1440 @ 165Hz
回應時間 (MPRT)	1ms
回應時間 (GtG)	<3ms
顯示器色彩	16.7M (8 位元 RGB)
面板技術	IPS 和量子點技術
無閃爍	是
觀看角度	178° (H) / 178° (V)
峰值亮度	400 nit (SDR) / 440 nit (HDR)
靜態對比率	1000:1
HDR 憑證	VESA DisplayHDR 400
色域圖 (CIE 1976)	98% (DCI-P3), 100% (AdobeRGB), 100% (sRGB)
可變重新整理頻率	AMD FreeSync Premium 認證, 與 NVIDIA G-Sync 相容
HDMI 輸入	2 個 HDMI 2.0
DisplayPort 輸入	1 個 DisplayPort 1.4
USB-C 輸入	1 個 DisplayPort 1.4 (USB-C Alt Mode), 15W Power Delivery, USB 5Gbps Data Upstream
USB-C 上游輸入	1 個 5Gbps USB-C
USB-A 輸出	2 個 5Gbps Type-A USB (5V/0.9A *2)
3.5mm 音訊	來自影片輸入的通道

附錄

技術規格

耗電量 (開啟)	68W
耗電量 (睡眠)	<0.5W
耗電量 (關閉)	<0.3W
VESA 相容性	100mm x 100mm
尺寸	732mm x 607mm x 316mm (寬 x 高 x 深)
重量	9.5kg
支架傾斜角度	-5° / +20°
支架轉環	-30° / +30°
支架高度調整範圍	110mm
交流電轉接器	90W
	注意: 您的裝置使用下列電源: Asian Power Devices Inc. / DA-90J19

支援的顯示模式

解析度	更新率
640x480	60, 67, 72, 75Hz
800x600	56, 60, 72, 75Hz
1024x768	60, 70, 75Hz
1280x1024	60, 75Hz
1440x900	60Hz
1680x1050	60Hz
1920x1080	30, 50, 60, 100, 120Hz
2560x1440	30*, 60, 120, 144*, 165Hz**
3840x2160***	30, 60Hz

*僅限 HDMI.

**僅限 DisplayPort/USB-C Alt 模式 (4 通道)。

***影像根據原生解析度縮小比例.

附錄

預設圖片預設值

設定	標準	影片	遊戲	文字	創意	sRGB	HDR
亮度	依地區而異*	100	100	30	100	27	100
對比度	50	50	50	50	50	50	50
清晰度	5	7	6	5	5	5	5
色溫	普通	普通	普通	暖	普通	sRGB	普通
色差補正	2.2	2.2	2.2	2.2	2.2	sRGB	2.2
飽和度	0	2	1	0	0	0	0
低藍光	關閉	關閉	關閉	關閉	關閉	關閉	關閉
回應時間	快速	快速	快速	普通	普通	普通	快速
MPRT	關閉	關閉	關閉	關閉	關閉	關閉	關閉

*預設亮度依地區而異

- 北美 = 40
- 歐洲 = 30
- 英國 = 30
- 亞洲 = 60

HDMI 法律披露



HDMI

採用的商標 HDMI、HDMI 高解析度多媒體介面和 HDMI 標誌是 HDMI Licensing Administrator, Inc. 在美國和其他國家的商標或註冊商標。

術語 HDMI、HDMI 高解析度多媒體介面和 HDMI 標誌是 HDMI Licensing Administrator, Inc. 的商標或註冊商標。

СОДЕРЖАНИЕ

Предостережение!	2
Комплект поставки	3
Сборка	4
Регулировка наклона, поворота и высоты	5
Варианты прокладки кабелей, крепления камеры (необязательно) и прочих элементов	6
Подключение	9
Эксплуатация	10
Управление	10
Экранное меню (OSD)	10
OSD — настройки изображения	11
OSD – Настройка OSD	13
OSD – Настройка системы	14
OSD – Аудио	16
OSD — выбор входа	17
OSD – Информация	18
Часто задаваемые вопросы и устранение проблем	19
характеристики	22
Технические характеристики	22
Поддерживаемые режимы дисплея	23
Предустановленные значения изображения по умолчанию	24

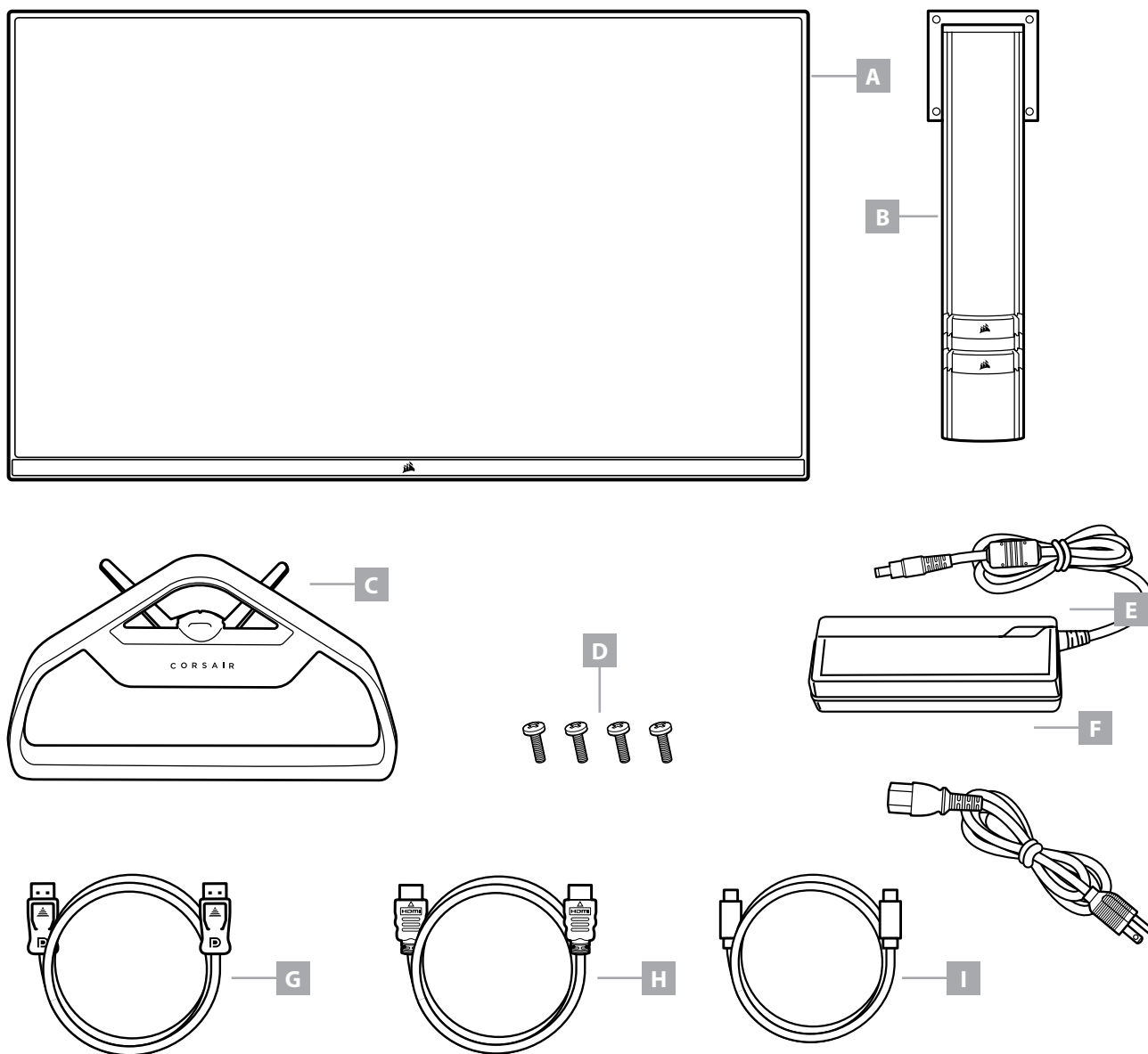


Отсканируйте QR-код, чтобы просмотреть краткое руководство пользователя и видео о настройке

ПРЕДОСТЕРЕЖЕНИЕ!

- Используйте только те принадлежности, которые поставляются с монитором или рекомендуются производителем.
- Сохраните пластиковый упаковочный пакет продукта в недоступном для детей месте.
- Перед подключением монитора к розетке убедитесь в том, что уровень напряжения кабеля питания соответствует спецификации страны вашего проживания.
- Разъем кабеля питания следует подключить к правильно установленной и заземленной розетке.
- Не касайтесь разъема мокрыми руками, так как это может привести к поражению электрическим током.
- Поставьте монитор на устойчивой поверхности в хорошо проветриваемом месте.
- Не размещайте монитор под прямыми солнечными лучами, а также рядом с электрическими радиаторами и другими источниками тепла.
- Отверстия или щели в мониторе предназначены для вентиляции. Ни при каких условиях не закрывайте и не блокируйте вентиляционные отверстия.
- Не располагайте рядом с монитором емкости с водой, напитками или любыми другими жидкостями. В противном случае это может повлечь за собой повреждение монитора или привести к поражению электрическим током.
- Не забудьте отключить монитор от розетки перед его чисткой.
- Так как поверхность экрана легко поцарапать, не касайтесь его твердыми или острыми объектами. Для протирания экрана используйте мягкую безворсовую ткань вместо салфетки. Для очистки оборудования при необходимости можно использовать стеклоочиститель. Никогда не распыляйте стеклоочиститель непосредственно на экран.
- Если оборудование не будет использоваться в течение длительного времени, отключите кабель питания.
- Не пытайтесь самостоятельно разобрать или починить монитор.

КОМПЛЕКТАЦИЯ ДИСПЛЕЯ XENEON 32QHD165



A — ПАНЕЛЬ ДИСПЛЕЯ XENEON 32QHD165

B — ОПОРНАЯ КОЛОНКА

C — СТОЙКА

D — КРЕПЕЖНЫЕ ВИНТЫ (4 ШТ.)

E — АДАПТЕР ПЕРЕМЕННОГО ТОКА

F — КАБЕЛЬ ПИТАНИЯ ПЕРЕМЕННОГО ТОКА

G — DISPLAYPORT CABLE (1.5M)

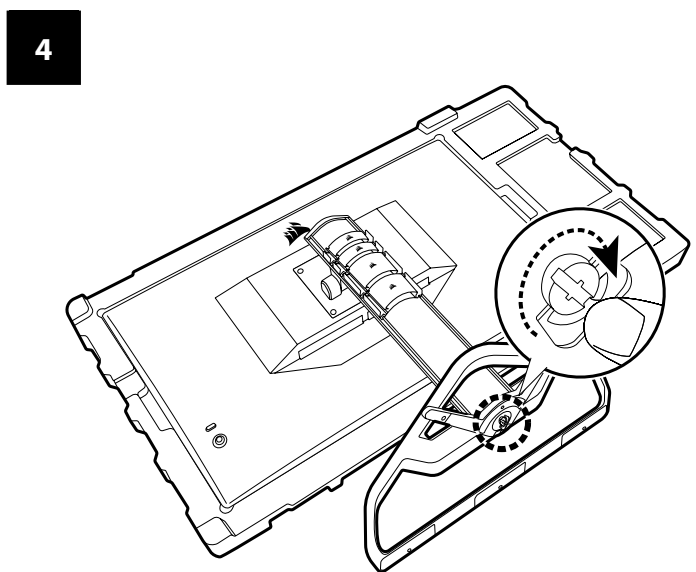
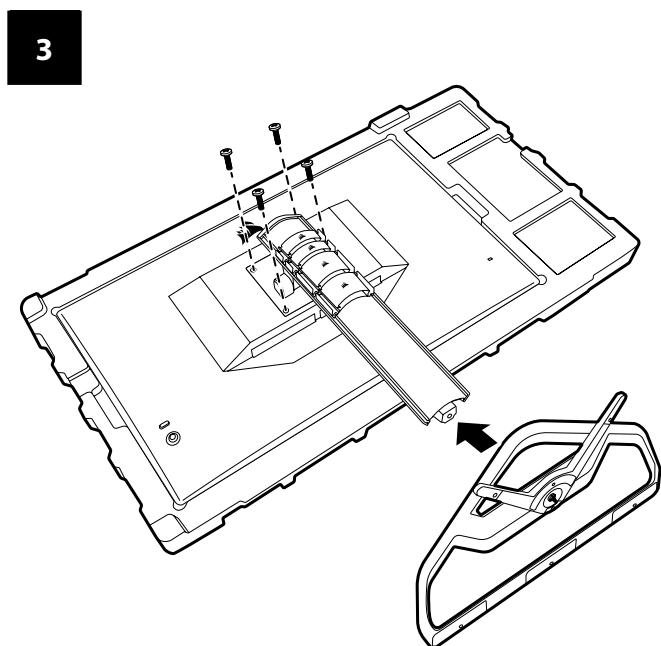
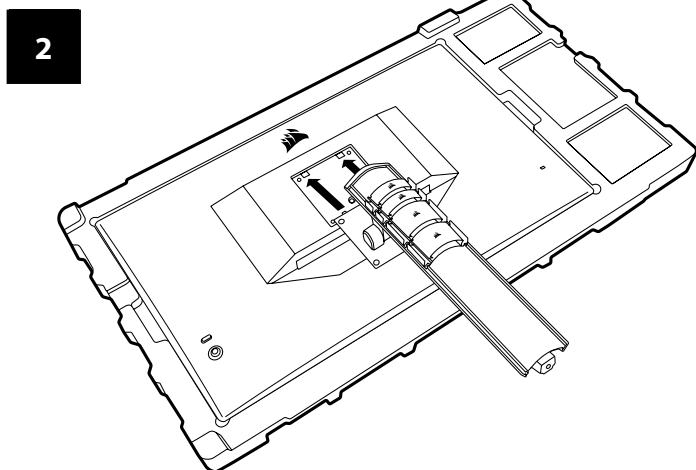
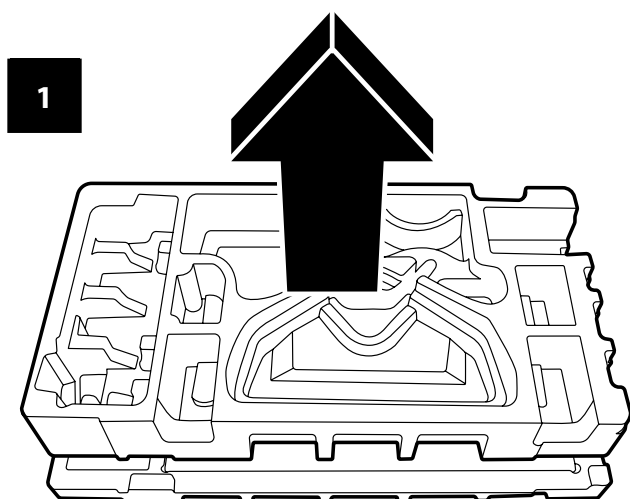
H — КАБЕЛЬ HDMI (1,5 M)

I — КАБЕЛЬ USB-C (1,5 M)

СБОРКА

Перед началом работы приготовьте отвертку со шлицем Филлипс.

1. Снимите верхний слой пеноматериала, содержащий принадлежности и подставку для получения доступа к задней стороне панели.
2. Осторожно откройте прикрывающий панель мешок из пеноматериала (см. изображение 1) для получения доступа к области крепления. Не извлекайте панель из мешка.
3. Совместите опору монитора с крепежными разъемами на задней стороне панели (см. изображение 2). Задвиньте верхние крючки в крепежные разъемы на задней стороне панели. Используя отвертку со шлицем Филлипс, зафиксируйте опору в панели четырьмя винтами.
4. Прикрепите основание подставки к опоре монитора (см. изображение 3) и затяните стягивающий барашковый винт в нижней части опоры (см. изображение 4).
5. Осторожно извлеките монитор из упаковки и расположите его вертикально на своем столе. Не касайтесь передней стороны панели при подъеме монитора.



РЕГУЛИРОВКА НАКЛОНА, ПОВОРОТА И ВЫСОТЫ

Ваш дисплей Xeon оснащен прочной и стильной подставкой, которая позволяет регулировать угол наклона, угол поворота и высоту дисплея.

- Наклон: от -5 до $+20$ градусов
- Поворот: от -30 до $+30$ градусов
- Диапазон регулировки высоты: 110 мм (497 ~ 607 мм)

Регулировка угла наклона,



Поворота и высоты

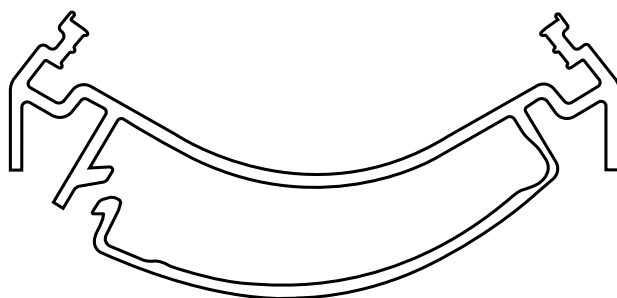


ВАРИАНТЫ ПРОКЛАДКИ КАБЕЛЕЙ, КРЕПЛЕНИЯ КАМЕРЫ (НЕОБЯЗАТЕЛЬНО) И ПРОЧИХ ЭЛЕМЕНТОВ



Дисплей Xeon оснащен встроенной системой прокладки кабелей RapidRoute, обеспечивающей порядок на рабочем столе. Система имеет 4 регулируемых кабельных зажима, которые можно перемещать вверх и вниз по стойке монитора, чтобы установить их в нужное положение. Чтобы открыть зажим, отожмите замок влево и потяните за зажимную часть.

Чтобы снять кабельные зажимы, снимите основание со стойки, передвинув зажимы вниз и стянув их с направляющих.



СОВМЕСТИМОСТЬ С ELGATO FLEX ARM

Верхняя часть опоры дисплея Xeneon оснащена разъемом диаметром ¼ дюйма, позволяющим использовать штатив Elgato Flex Arm и комплект адаптера крепления камеры (приобретаются отдельно) для фиксации камеры сверху монитора Xeneon. Эти принадлежности доступны для приобретения непосредственно в магазине Corsair.

- Комплект шарнирного разъема и адаптера для камеры Xeneon (CM-8900001)
- Elgato Flex Arm-S (10AAN9901) или Flex Arm-L (10AAC9901)

A division of CORSAIR

Setup video and instructions for Camera Mount is available at <https://www.corsair.com/xeneon-quickstart>



Flex Arm S



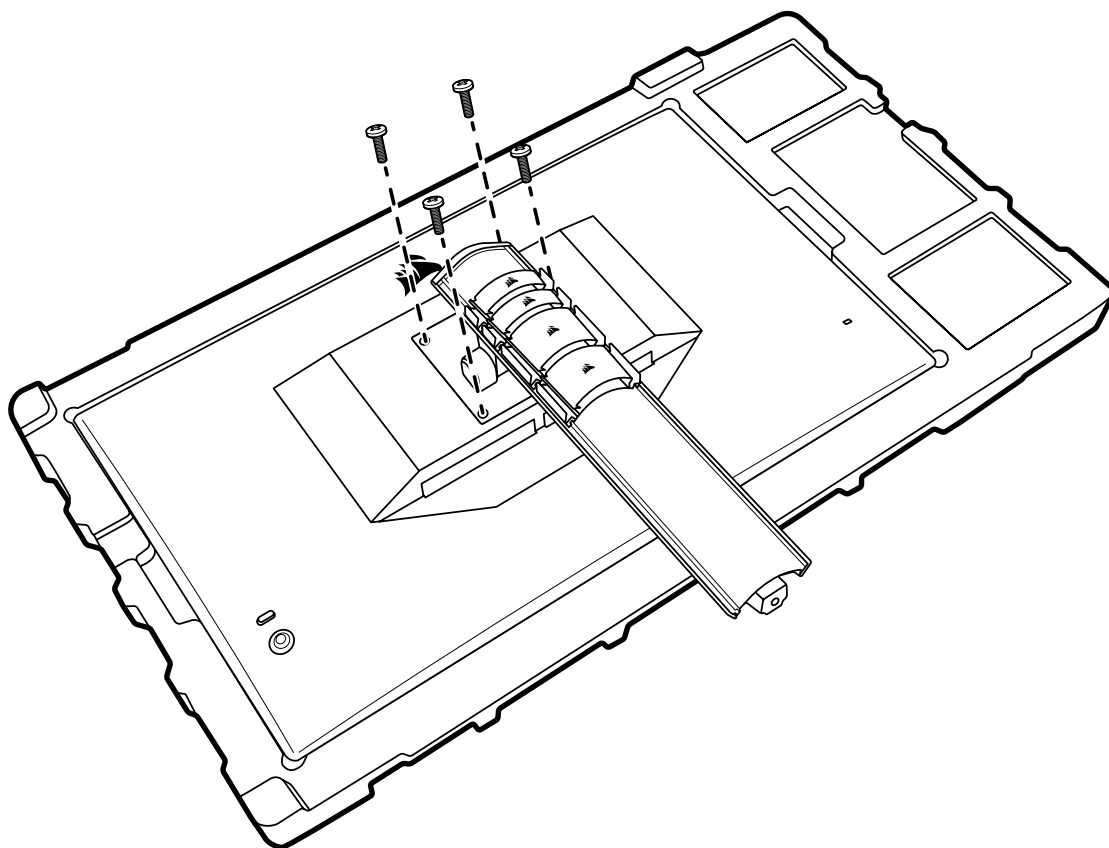
Flex Arm L



СОВМЕСТИМОСТЬ С НАСТЕННЫМИ КРОНШТЕЙНАМИ

Перед установкой дисплея на совместимый настенный кронштейн (VESA 100 × 100 мм) убедитесь в соблюдении приведенных ниже условий.

- Подставка откреплена от дисплея с помощью отвертки со шлицем Филлипс.
- Приобретенный вами настенный кронштейн способен выдержать вес дисплея.

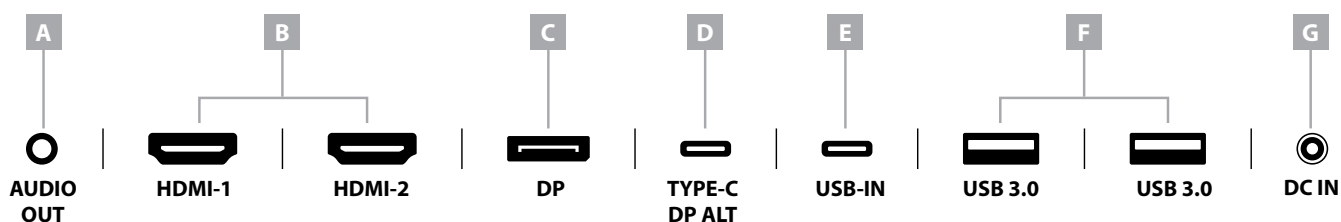


Дополнительную информацию о том, как правильно устанавливать дисплей, см. в предоставляемых с настенным кронштейном инструкциях.

ПРЕДУПРЕЖДЕНИЕ. На задней стороне дисплея расположены четыре крепежных отверстия VESA. Необходимо зафиксировать дисплей на настенном кронштейне с помощью всех четырех отверстий. Если использовать не все отверстия, дисплей может упасть и повредить ваше имущество или стать причиной получения травмы.

Примечание. Винты для настенного кронштейна не входят в комплект. Винты: тип M4, длиной от 10 до 12 мм в зависимости от выбранного настенного кронштейна

ПОДКЛЮЧЕНИЕ



- A. Аудиоразъем на 3,5 мм
вывод аудио из подключенных устройств HDMI, DisplayPort и USB-C (альт. режим).
- B. Разъемы HDMI 2.0
сдвоенные входы HDMI с маркировкой HDMI1 и HDMI2.
- C. Разъем DisplayPort 1.4
вход DisplayPort с маркировкой DisplayPort.
- D. Разъем USB Type-C
поддержка альт. режима DisplayPort и входа USB восходящего канала (подключается к разъемам USB 3.0). Разъем промаркирован как TYPE-C. Этот разъем или разъем восходящего канала следует подключить к разъему USB на главном устройстве — так вы сможете обеспечить правильную работу CORSAIR iCUE и разъемов USB 3.0 нисходящих каналов USB.
- E. Разъем USB Type-C
поддержка альт. режима DisplayPort и входа USB восходящего канала (подключается к разъемам USB 3.0). Разъем промаркирован как TYPE-C. Этот разъем или разъем восходящего канала следует подключить к разъему USB на главном устройстве — так вы сможете обеспечить правильную работу CORSAIR iCUE и разъемов USB 3.0 нисходящих каналов USB.
- F. Разъемы USB 3.0
сдвоенные разъемы USB Type-A со скоростью 5 Гбит/с.
- G. Входящий разъем постоянного тока
подключается к входящему в комплект поставки адаптеру переменного тока.

ЭКСПЛУАТАЦИЯ

Управление



Включение и выключение питания



Нажатие — открыть настройки дисплея

Вверх — открыть ползунок яркости
Вниз — открыть меню выбора режима изображения
Влево — открыть ползунок громкости
Вправо — открыть меню выбора источника сигнала



На задней стороне монитора (в его правой части, если смотреть на монитор спереди) расположен джойстик, который используется для открытия ярлыков и навигации по меню настроек монитора. Обратите внимание: многие из этих настроек также можно изменять в ПО CORSAIR iCUE, если для подключения вы воспользовались USB-концентратором, подключенным к вашему компьютеру с помощью разъема USB IN. Установите актуальную версию iCUE (4.16 или более новую), скачав ее по ссылке <https://www.corsair.com/us/en/icue>.

Экранное меню (OSD)

Нажав джойстик, вы получите доступ к настройкам дисплея для вашего монитора. С помощью джойстика можно перемещаться по меню настроек; нажимайте джойстик для подтверждения выбора.

ЭКСПЛУАТАЦИЯ

OSD — настройки изображения

Первое меню с названием «Изображение» содержит перечисленные ниже параметры настройки, которые помогут скорректировать общее качество изображения.



ЭКСПЛУАТАЦИЯ

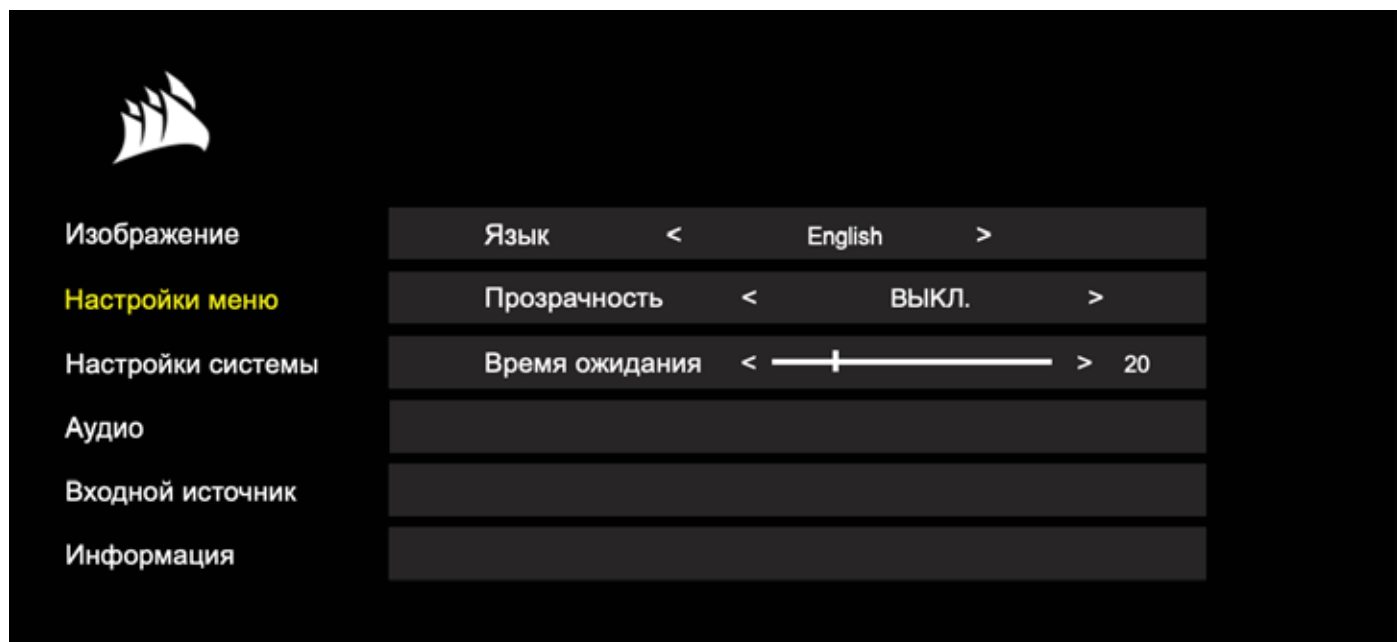
OSD — настройки изображения

Настройка	Параметры	Описание
Режим изображений	Стандарт	Выбирает заводскую предварительно установленную и тщательно откалиброванную настройку дисплея для общего использования с максимальной экономией энергии.
	Фильм	Выбирает предварительно установленную настройку дисплея, оптимизированную для просмотра фильмов.
	Текст	Выбирает предварительно установленную настройку дисплея, оптимизированную для чтения текста.
	sRGB	Выбирает заводскую предварительно установленную и тщательно откалиброванную настройку дисплея для цветового пространства sRGB.
	Творчество	Выбирает заводскую предварительно установленную и тщательно откалиброванную настройку дисплея для задач по созданию контента.
	Игра	Выбирает предварительно установленную настройку дисплея, оптимизированную для активных игр с быстрыми движениями.
	HDR	Выбирает предварительно установленную настройку дисплея, сертифицированную по стандарту VESA DisplayHDR400.
Яркость	0–100	Регулирует интенсивность подсветки дисплея.
Контраст	0–100	Регулирует контрастность дисплея.
Резкость	0–5	Регулирует фильтр увеличения резкости дисплея, увеличивая отчетливость деталей на контурах.
Температура цвета	Холодный цвет	Устанавливает цветовую температуру дисплея на значение 9300 К.
	Обычный цвет	Устанавливает цветовую температуру дисплея на стандартное значение 6500 К.
	Теплый цвет	Устанавливает цветовую температуру дисплея на значение 5000 К.
	Пользовательский вариант	Позволяет вручную настроить цветовую температуру дисплея с помощью ползунков для уровней красного, синего и зеленого цветов.
Гамма	2.0, 2.2, 2.4	Регулирует соотношение между цветностью и яркостью; по умолчанию: 2,2.
Насыщенность	0–10	Регулирует интенсивность цветов дисплея.
Защита зрения	ВКЛ. или ВЫКЛ.	При включении снижает излучение синего цвета дисплея.
Время отклика	Обычно, быстро, очень быстро	Позволяет увеличивать скорость переключения пикселей на различные цвета, что позволяет снизить эффект размытия для быстро движущихся объектов.
Отображение частоты обновления	ВКЛ. или ВЫКЛ.	Переключает наложение в правом верхнем углу дисплея, на котором отображается текущая частота обновления монитора. Применяется для отслеживания количества кадров в секунду при включении функции Adaptive Sync.
Кинематографический отклик	ВКЛ. или ВЫКЛ.	Переключает параметр настройки Moving Picture Response Time (Кинематографический отклик), который при включении может понизить размытие движущихся объектов.

ЭКСПЛУАТАЦИЯ

OSD – Настройка OSD

Второе меню с названием «Настройки OSD» содержит перечисленные ниже параметры настройки, которые помогут скорректировать экранное меню.

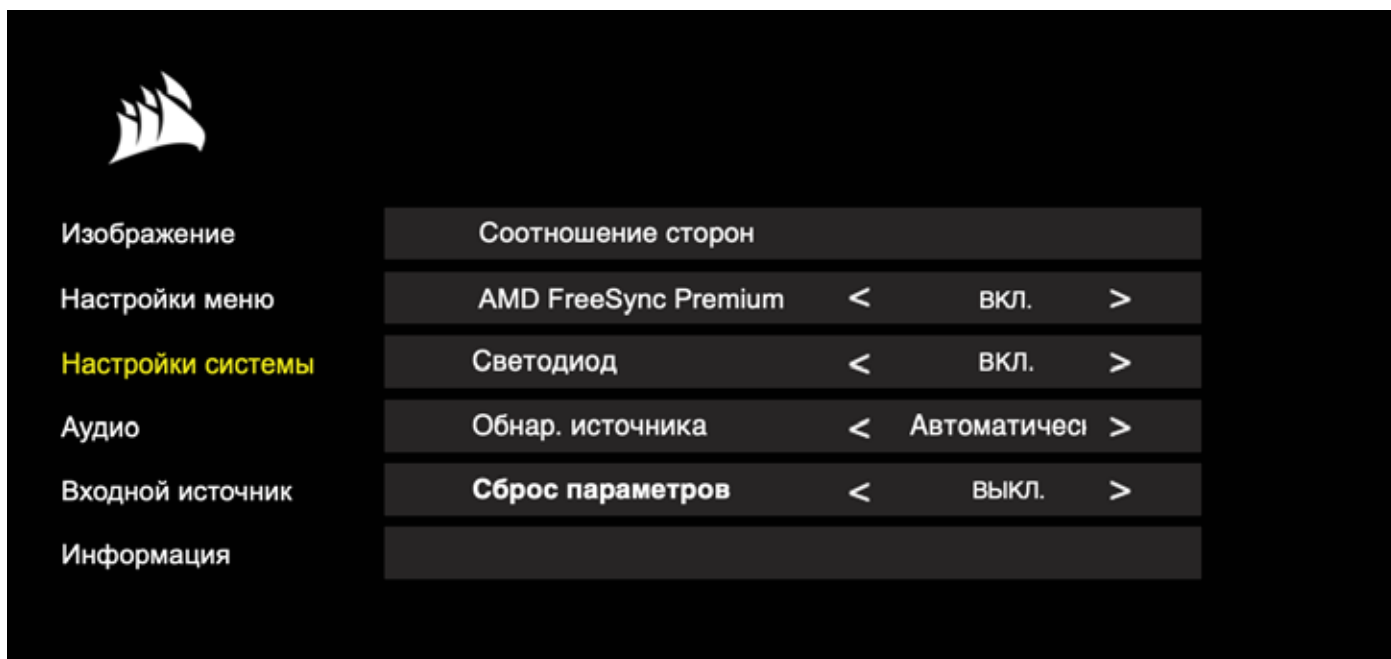


Настройка	Параметры	Описание
Язык	Английский Французский Немецкий Итальянский Испанский Японский Корейский Португальский Русский Китайский (традиционный)	Выбирает язык экранного меню.
Прозрачность	ВКЛ. или ВЫКЛ.	Делает экранное меню прозрачным или непрозрачным.
Время ожидания	10–60	Задаёт время (в секундах), в течение которого экранное меню остаётся на дисплее.

ЭКСПЛУАТАЦИЯ

OSD – Настройка системы

Третье меню с названием «Настройка системы» содержит перечисленные ниже параметры настройки, которые помогут скорректировать внутренние настройки дисплея.



ЭКСПЛУАТАЦИЯ

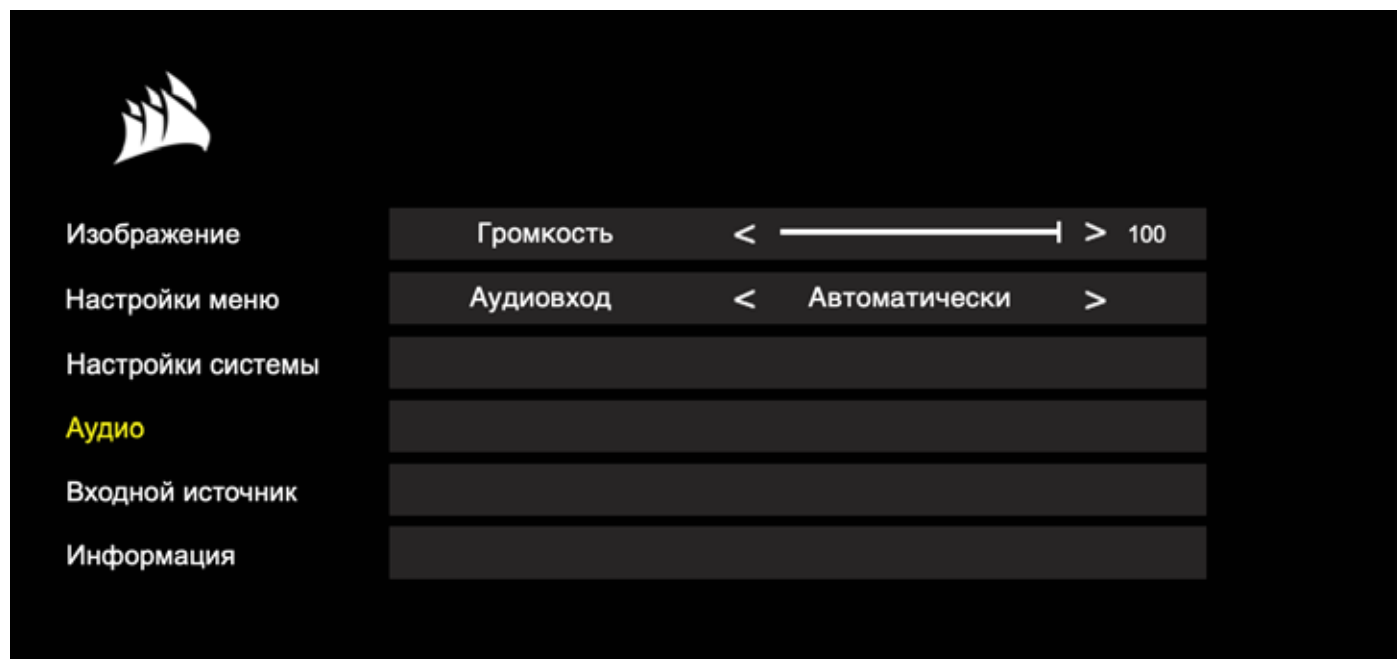
OSD – Настройка системы

Настройка		Описание
Соотношение сторон		Задаёт соотношение сторон дисплея. Параметр «Автоматически» приведёт к попытке изменения соотношения сторон дисплея в соответствии с входящим видеосигналом. Недоступно при включении поддержки Adaptive Sync.
AMD FreeSync Premium	ВКЛ. или ВЫКЛ.	<p>Включает или выключает функциональные возможности Adaptive Sync при подключении к совместимой графической карте. Выберите «ВКЛ.» для поддержки Adaptive Sync по стандарту AMD FreeSync с помощью подключения по HDMI.</p> <p>Совместимость с NVIDIA G-Sync доступна при подключении к совместимой графической карте по кабелю DP или по кабелю USB Type-C в альт. режиме. Для использования функциональных возможностей NVIDIA G-Sync выполните приведенные ниже действия.</p> <ul style="list-style-type: none">• Установите и (или) откройте панель NVIDIA.• Перейдите в меню настройки G-Sync.• Установите флажок включения совместимости с G-Sync.• Выберите параметр 32QHD165/RDD0013• Установите флажок включения параметров для выбранной модели дисплея. <p>Для получения доступа к параметрам NVIDIA может потребоваться перезагрузка системы.</p>
СВЕТОДИОДНАЯ ПОДСВЕТКА	ВКЛ. или ВЫКЛ.	Включает или выключает фронтальный светодиодный индикатор питания.
Определение источника		Определяет, будет ли дисплей автоматически переключаться на другой вход при обнаружении сигнала или же необходимо будет вручную переключаться между разными входами.
Альт. режим USB-C (доступен только при подключении дисплея с помощью разъема видео USB-C)	4 линии 2 линии	<p>Переключает количество линий USB при использовании разъема USB-C для передачи видеосигнала.</p> <ul style="list-style-type: none">• Режим 4 линий позволяет использовать разрешение до 2560 × 1440 с частотой 165 Гц, однако снижает скорость передачи данных через разъемы USB Type-A до скоростей стандарта USB 2.0• Режим 2 линий позволяет использовать разрешение до 2560 × 1440 с частотой 120 Гц, однако предоставляет разъемам USB Type-A доступ к скоростям стандарта USB 3.0
Сброс параметров	–	Сбрасывает все настройки монитора до заводских значений по умолчанию.

ЭКСПЛУАТАЦИЯ

OSD – Аудио

Четвертое меню с названием «Аудио» позволяет контролировать аудиосигнал дисплея.

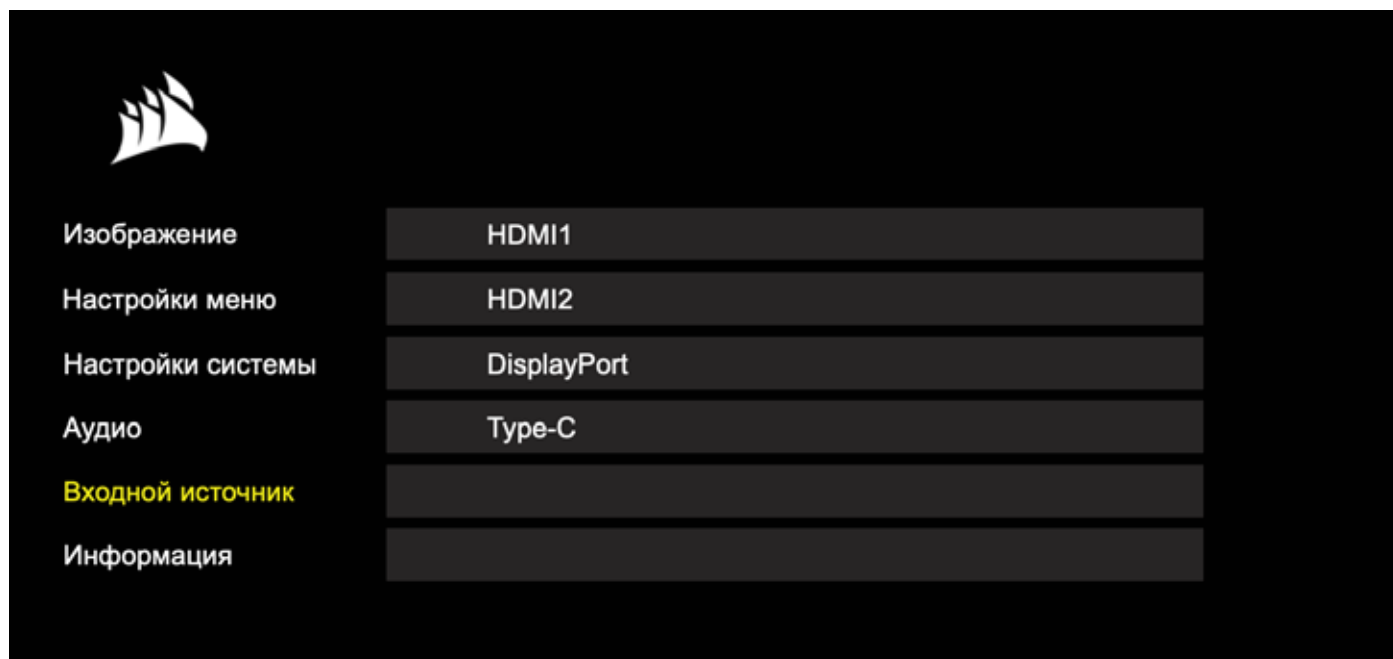


Настройка	Параметры	Описание
Громкость	0–100	Регулирует громкость аудиовыхода для разъема наушников.
Вход аудио	Auto, HDMI-1, HDMI-2, DisplayPort, USB-C	Задает вход, с которого дисплей будет передавать аудиосигнал на разъем наушников. Параметр «Автоматически» приведет к использованию текущего входа.

ЭКСПЛУАТАЦИЯ

OSD — выбор входа

Пятое меню под названием «Выбор входа» позволяет переключаться между различными входами дисплея.




Настройка	Описание
HDMI-1	Переключается на устройство, подключенное к разъему HDMI-1.
HDMI-2	Переключается на устройство, подключенное к разъему HDMI-2.
DisplayPort	Переключается на устройство, подключенное к разъему «DP» DisplayPort.
TYPE-C	Переключается на устройство, подключенное к разъему TYPE-C.

ЭКСПЛУАТАЦИЯ

OSD – Информация

Предоставляет текущее состояние настроек для основных функций.



Изображение	Источник	DisplayPort
Настройки меню	Разрешение	2560X1440
Настройки системы	Отбр. част. обнов.	165Hz
Аудио	AMD FreeSync Premium	Вкл.
Входной источник	HDR	Вкл.
Информация	Версия прошивки	P08

ЭКСПЛУАТАЦИЯ

Часто задаваемые вопросы и устранение проблем

Вопрос	Ответ
Светодиод питания не включается	Нажмите расположенную на задней стороне монитора кнопку питания для включения.
	Убедитесь в том, что кабель питания полностью подключен к монитору и к адаптеру питания.
	Убедитесь в том, что светодиодный индикатор питания включен в меню «OSD — настройка системы».
На экране отсутствует изображение	Убедитесь в том, что монитор включен.
	Убедитесь в том, что видеокабель полностью подключен к монитору и к источнику сигнала.
	Проверьте качество исполнения видеокабеля и убедитесь в отсутствии повреждений на его поверхности. Не используйте низкокачественные удлинители и видеокабели.
	Убедитесь в правильности выбора источника сигнала для вашего монитора (функция автоматического обнаружения источника может быть отключена в OSD).
	Подключите монитор к другому источнику для проверки работоспособности входа видео.
	Подключите источник к другому доступному монитору для проверки выхода видео.
	Не подключайте монитор при включенном питании. Подключайте монитор к источнику до включения питания источника.
Изображение слишком темное или слишком светлое	Отрегулируйте яркость, гамму и контрастность с помощью предложенных в OSD параметров.
	Восстановите заводские настройки монитора.
Сигнал видео не поддерживается	Убедитесь в правильности параметров выхода видео источника. Игровой монитор CORSAIR XENEON 32QH165 поддерживает такие варианты входного разрешения:

ЭКСПЛУАТАЦИЯ

Часто задаваемые вопросы и устранение проблем

Вопрос	Ответ
Поддерживает ли CORSAIR XENEON 32QHD165 передачу видео через разъем USB-C?	Да, CORSAIR XENEON 32QHD165 поддерживает использование DisplayPort через разъем USB-C посредством специального входа TYPE-C DP ALT. Для достижения наилучших результатов используйте входящий в комплект кабель Type-C длиной 1,5 м или высококачественный кабель USB Type-C, поддерживающий USB 3.2 Gen 2.
При наличии подключения к поддерживаемому альт. режим USB-C устройству с помощью одинарного кабеля USB-C не удается использовать другие устройства, подключенные к разъемам USB-A монитора.	Альт. режим USB-C по умолчанию функционирует в режиме «4 линии», при использовании которого осуществляется полноценная поддержка разрешения DisplayPort для передачи данных по USB-C, но отключаются разъемы USB Type-A. Для повторного включения разъемов USB Type-A при подключении исключительно с помощью входа TYPE-C DP ALT переключитесь в режим «2 линии»: поддерживаемое выходное разрешение видео будет ограничено, но разъемы USB Type-A для периферийных устройств, подключаемых к монитору, продолжают функционировать. Кроме того, можно подключить источник к разъему нисходящего канала USB, а также к разъему TYPE-C DP ALT для полноценной поддержки разрешения видео и функциональных возможностей разъема USB. Для достижения наилучших результатов используйте высококачественный кабель USB Type-C, поддерживающий USB 3.2 Gen 2.
Изображение чересчур растянуто или сжато	Проверьте, правильное ли выбрано значение для параметра «Соотношение сторон» в меню «Настройка системы». По умолчанию параметру задан автоматический режим определения, но в некоторых случаях может понадобиться выбрать соотношение сторон вручную (например, при определенной комбинации адаптеров и игровых консолей прошлых поколений).
Существуют проблемы с цветами изображения	Проверьте качество исполнения видеокабеля и убедитесь в отсутствии повреждений на его поверхности. Не используйте низкокачественные удлинители и видеокабели.
	Восстановите заводские настройки монитора.
	Отрегулируйте параметры изображения с помощью OSD.
Изображение на экране отображается с артефактами	Проверьте качество исполнения видеокабеля и убедитесь в отсутствии повреждений на его поверхности.
	Убедитесь в работоспособности источника: возможно, вам потребуется связаться с производителем потенциально неисправной графической карты или игровой консоли.
На мониторе виден битый пиксель	CORSAIR применяет политику нулевого количества битых пикселей для всех своих мониторов. Если в течение трехлетнего гарантийного периода на мониторе будет обнаружен как минимум один светлый пиксель или как минимум шесть темных субпикселей, мы предложим заменить монитор.
Какие виды совместимости поддерживаются для крепления VESA?	CORSAIR XENEON 32QHD165 поддерживает стандартное крепление размером 100 × 100 мм; для такого способа крепления следует отсоединить от монитора подставку. Используйте крепежные винты, входящие в комплект крепления VESA.

ЭКСПЛУАТАЦИЯ

Часто задаваемые вопросы и устранение проблем

Вопрос	Ответ
Можно ли установить веб-камеру, камеру DSLR или беззеркальную камеру?	CORSAIR XENEON 32QHD165 поддерживает стандартные веб-камеры, которые крепятся на верхний ободок дисплея, а также более крупные камеры DSLR или беззеркальные камеры при использовании комплекта адаптера Elgato Multi-Mount для монитора XENEON и комплекта Elgato Flex Arm L/S (комплект адаптера и комплекты Flex Arm приобретаются отдельно)
Монитор CORSAIR XENEON не обнаруживается с помощью CORSAIR iCUE	Убедитесь в том, что на вашем ПК установлена актуальная версия CORSAIR iCUE. Поддержка CORSAIR XENEON 32QHD165 осуществляется в iCUE версии 4.15 и выше.
	Убедитесь в том, что кабель подключен к разъему USB-C восходящего канала монитора и к разъему USB 3.0 вашего ПК. Если это возможно, избегайте подключения монитора через USB-концентратор или удлинитель. Для достижения наилучших результатов настоятельно рекомендуется использовать кабель USB-C, который прилагается к монитору CORSAIR XENEON.
What adaptive Частота обновления Параметры are available to CORSAIR XENEON?	Монитор CORSAIR XENEON 32QHD165 прошел сертификацию по стандарту AMD FreeSync Premium и совместим с технологией NVIDIA G-SYNC.
Не включается AMD FreeSync и (или) G-SYNC.	Убедитесь в том, что использование AMD FreeSync включено в OSD.
	Изучите параметры вашей графической карты и убедитесь в том, что в настройках включена поддержка AMD FreeSync и (или) NVIDIA G-SYNC. AMD FreeSync функционирует при подключении через любые порты видео. Совместимость с NVIDIA G-Sync поддерживается только при подключении через DP или через DP USB Type-C в альт. режиме
Не удается достичь номинальной частоты обновления монитора 165 Гц.	Проверьте, правильные ли системные параметры дисплея и графической карты выбраны, а также выберите частоту обновления 165 Гц. Просмотрите доступные поддерживаемые режимы отображения в приложении.
	Проверьте качество исполнения видеокабеля и убедитесь в отсутствии повреждений на его поверхности. Не используйте низкокачественные удлинители и видеокабели.

ПРИЛОЖЕНИЕ

Технические характеристики

Название продукта	XENEON 32QHD165
Номер изделия	CM-9020001
Устройство	32QHD165 / RDD0013
Идентификатор USB-концентратораВ9.....	CORSAIR USB 3.0 Hub
Размер панели	32" Diagonal
Экран дисплея	Антибликовая технология
Пиксели на дюйм	91,8
Соотношение сторон	16:9
Стандартное разрешение	2560 × 1440 при 165 Гц
Время отклика (Кинематографический отклик)	1 мс
Время отклика (GtG)	<3ms
Цвета дисплея	16,7 млн. (8 бит, RGB)
Технологические параметры панели	IPS с технологией Quantum Dot
Отсутствие мерцания	Да
Угол обзора	178° (горизонтально) / 178° (вертикально)
Пиковая яркость	400 нит (SDR) / 440 нит (HDR)
Статический коэффициент контраста	1000:1
Сертификация HDR	VESA DisplayHDR 400
Цветовая палитра (CIE 1976)	98 % (DCI-P3), 100 % (AdobeRGB), 100 % (sRGB)
Переменная частота обновления	AMD — сертификация по стандарту FreeSync Premium; совместимость с NVIDIA G-Sync
Вход HDMI	HDMI 2.0 (2 шт.)
Вход DisplayPort	DisplayPort 1.4 (1 шт.)
Вход USB-C	DisplayPort 1.4 (1 шт.) (USB-C Alt Mode), 15W Power Delivery, USB 5Gbps Data Upstream
Вход USB C (восходящий)	USB-C 5 Гбит/с (1 шт.)
Выход USB-A	USB Type-A 5 Гбит/с, 5 В, 0,9 А (2 шт.)
Аудиоразъем на 3,5 мм	Сквозной порт через вход видеосигнала

ПРИЛОЖЕНИЕ

Технические характеристики

Энергопотребление (вкл.)	68 Вт
Энергопотребление (спящий режим)	< 0,5 Вт
Энергопотребление (выкл.)	< 0,3 Вт
Совместимость с VESA	100 × 100 мм
Размеры	732 × 607 × 316 мм (Ш × В × Г)
Масса	9,5 кг
Наклон стойки	от -5 до +20°
Поворот стойки	от -30 до +30°
Диапазон регулировки высоты стойки	110 мм
Адаптер переменного тока	90 Вт
	Примечание: ваши устройства используют следующий блок питания: Asian Power Устройствos Inc. / DA-90J19

Поддерживаемые режимы дисплея

Разрешение	Частота обновления
640x480	60, 67, 72, 75Hz
800x600	56, 60, 72, 75Hz
1024x768	60, 70, 75Hz
1280x1024	60, 75Hz
1440x900	60Hz
1680x1050	60Hz
1920x1080	30, 50, 60, 100, 120Hz
2560x1440	30*, 60, 120, 144*, 165Hz**
3840x2160***	30, 60Hz

* Только для HDMI..

** Только DisplayPort/USB-C Alt Mode (4 линии).

*** Изображение уменьшается до его стандартного разрешения..

ПРИЛОЖЕНИЕ

Предустановленные значения изображения по умолчанию

Настройка	Стандарт	Фильм	Игра	Текст	Творчество	sRGB	HDR
Яркость	Зависит от региона*	100	100	30	100	27	100
Контраст	50	50	50	50	50	50	50
Резкость	5	7	6	5	5	5	5
Температура цвета	Обычный цвет	Обычный цвет	Обычный цвет	Теплый цвет	Обычный цвет	sRGB	Обычный цвет
Гамма	2.2	2.2	2.2	2.2	2.2	sRGB	2.2
Насыщенность	0	2	1	0	0	0	0
Low Blue Light	Выкл.	Выкл.	Выкл.	Выкл.	Выкл.	Выкл.	Выкл.
Время отклика	Быстрый	Быстрый	Быстрый	Обычный цвет	Обычный цвет	Обычный цвет	Быстрый
Кинематографический отклик	Выкл.	Выкл.	Выкл.	Выкл.	Выкл.	Выкл.	Выкл.

* Яркость по умолчанию зависит от региона.

- Северная Америка = 40
- Европа = 30
- Великобритания = 30
- Азия = 60

Обнародование информации об HDMI.



HDMI

Зарегистрированные товарные знаки HDMI, HDMI High-Definition Multimedia Interface и логотип HDMI являются товарными знаками или зарегистрированными товарными знаками HDMI Licensing Administrator, Inc. в США и других странах.

Термины HDMI, HDMI High-Definition Multimedia Interface и логотип HDMI являются товарными знаками или зарегистрированными товарными знаками HDMI Licensing Administrator, Inc.

目次

事前の注意	2
同梱物	3
組み立て	4
傾斜、左右回転、高さの調整	5
ケーブル管理、Camera Mount (オプション)、その他の取り付けオプション	6
接続性	9
動作	10
制御	10
オンスクリーンディスプレイ (OSD)	10
OSD - 画像設定	11
OSD - OSD 設定	13
OSD - システム設定	14
OSD - オーディオ	16
OSD - 入力選択	17
OSD - 情報	18
よくある質問 / トラブルシューティング	19
仕様	22
技術仕様	22
サポートされているディスプレイモード	23
デフォルト画像プリセット値	24

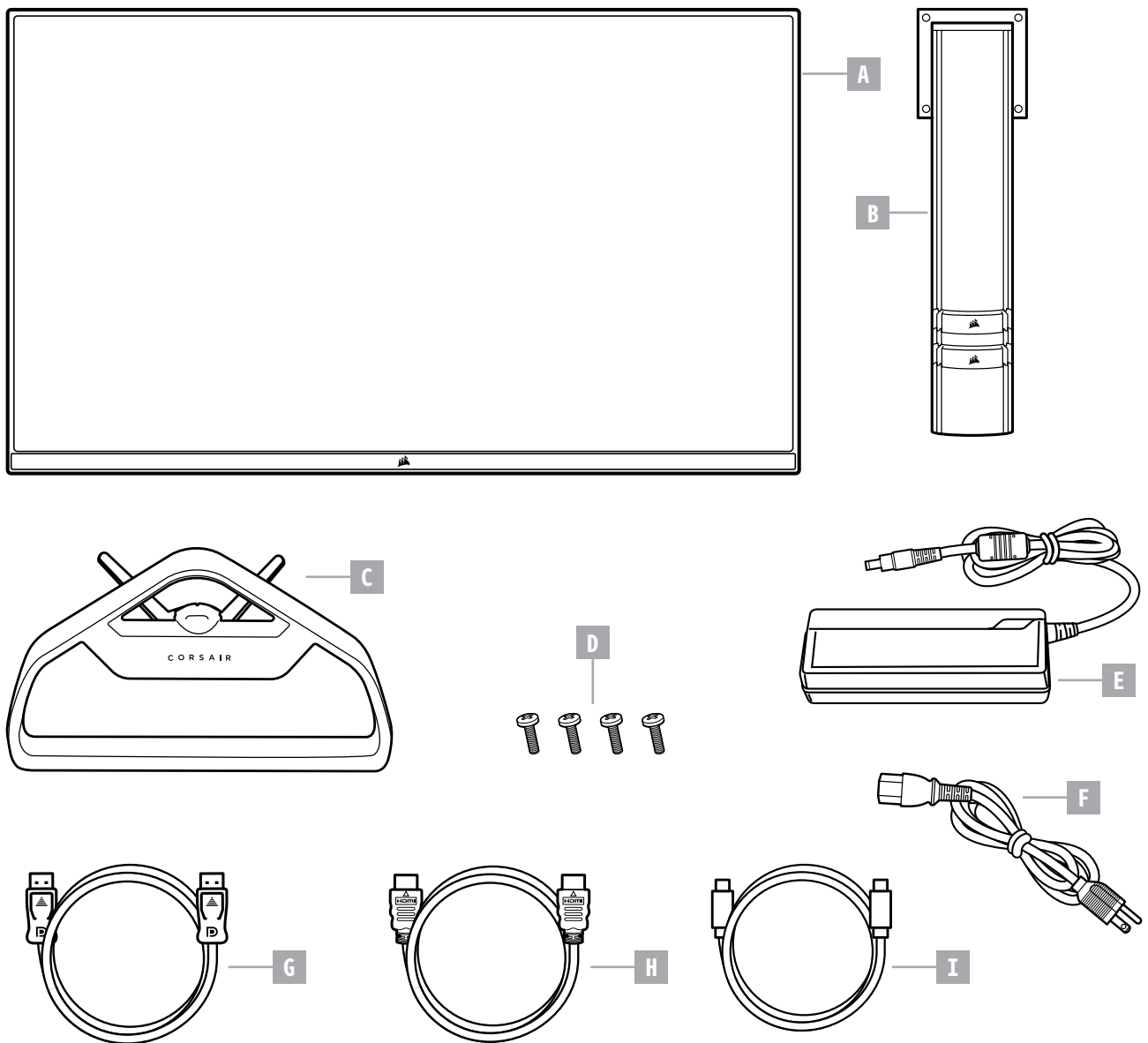


クイックスタートガイドとセットアップビデオの QR コードをスキャン

事前の注意

- モニターに付属するアクセサリまたはメーカー推奨のアクセサリのみを使用してください。
- 製品用のプラスチック包装のバッグは、お子さんの手の届かない場所に保管してください。
- モニターをコンセントに接続する前に、電源ケーブルの定格電圧がお住いの国の電源仕様に対応していることを確認してください。
- 電源コードプラグは、適切な配線で接地されたコンセントに接続する必要があります。
- 電気ショックを引き起こしやすいので、塗れた手ではプラグに触れないでください。モニターを安定した、通気のよい場所に置いてください。
- 電気ラジエーターや直射日光など熱源の近くにはモニターを絶対に置かないでください。
- モニターについている穴や開口部は通気用です。通気用の穴を物で覆ったり、塞いだりしないでください。
- 水や飲み物、あらゆる種類の液体の近くでモニターを使用しないでください。守られない場合は、電気ショックやモニターの損傷に至るおそれがあります。清掃する前にはモニターの電源プラグをコンセントから抜いてあることを確認してください。
- スクリーン表面は傷がつきやすいので、硬いものや鋭利なもので表面に触れないようにしてください。スクリーンを拭くときは、ティッシュペーパーの代わりに、糸くずの出ない柔らかい布を使用してください。必要に応じて、装置の清掃にガラスクリーナーを使用してもかまいません。ただし、スクリーンに直接クリーナーをスプレーすることは絶対にしないでください。長期間、装置を使用しない場合は、電源ケーブルを抜いてください。
- モニターを分解したり、自分で修理しようとししないでください。

XENEON 32QHD165 ディスプレイ同梱物



A – XENEON 32QHD165 ディスプレイパネル

B – 取り付け支柱

C – スタンド

D – 取り付けねじ (X4)

E – AC アダプター

F – AC 電源ケーブル

G – DISPLAYPORT CABLE (1.5M)

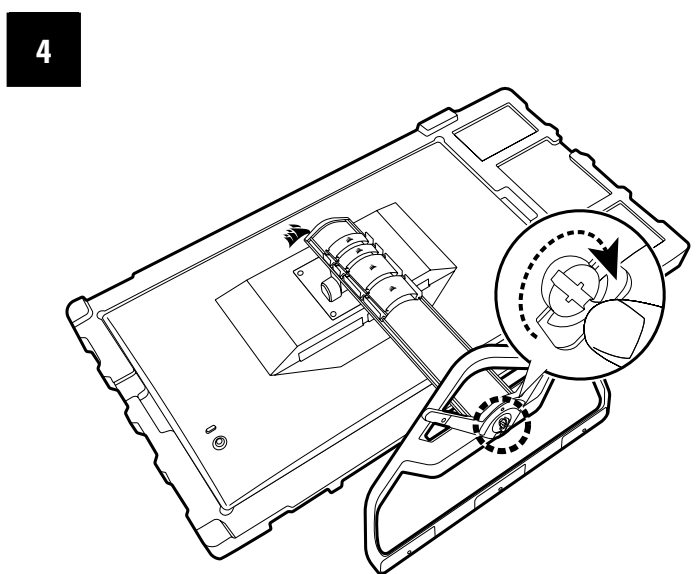
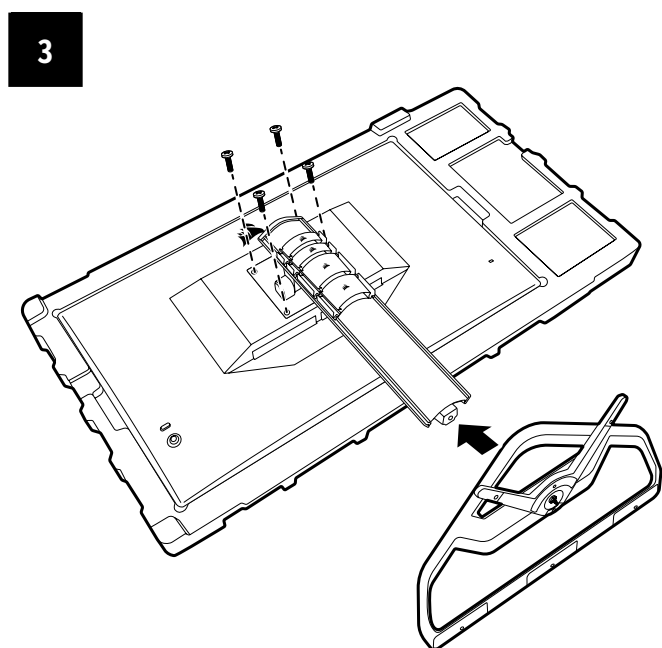
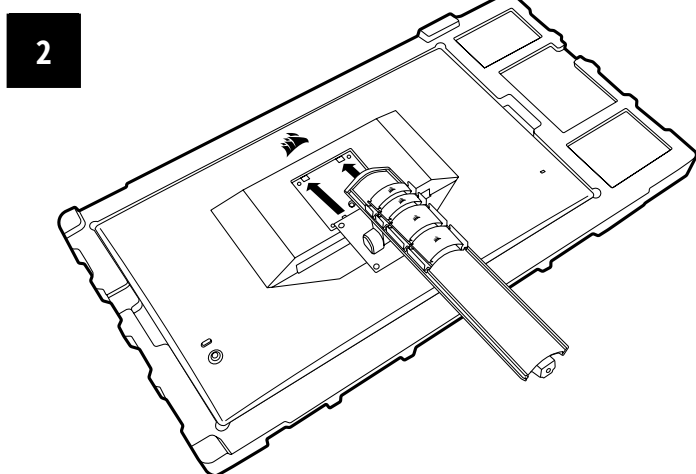
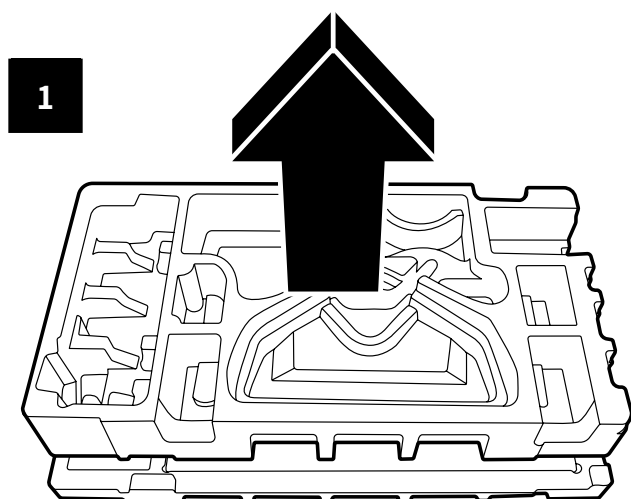
H – HDMI ケーブル (1.5M)

I – USB-C ケーブル (1.5M)

組み立て

始める前に、プラスドライバーが必要になります。

1. パネルの背面をむきだしにするために、アクセサリとスタンドを含むフォームの一番上の層を取り外します。
2. パネルを覆っているフォームバッグ (図 1 参照) を丁寧に開き、取り付けエリアをむき出しにします。バッグからパネルを取り外さないでください。
3. モニターの支柱をパネル背面の取り付けスロットと揃えます (図 2 参照)。上部フックをパネル背面の取り付けスロットにスライドさせて入れます。プラスドライバーを使用して、4 本のねじで支柱をパネルに固定します。
4. スタンドベースをモニターの支柱に取り付け (図 3 参照)、支柱の底部に脱落防止つまみねじを締め付けます (図 4 参照)。
5. 包装からゆっくりモニターを取り外し、デスクの上に真っ直ぐ載せます。モニターを持ち上げるときはパネルの前面に触れないでください。



傾斜、左右回転、高さの調整

Xeneon ディスプレイは、傾斜、左右回転、高さの調整ができる頑丈でスタイリッシュなスタンドが特徴です。

- -5 / +20 度傾斜
- +/- 30 度左右に回転
- 高さ調整範囲 110mm (497mm ~ 607mm)

傾斜



左右回転と高さ調整

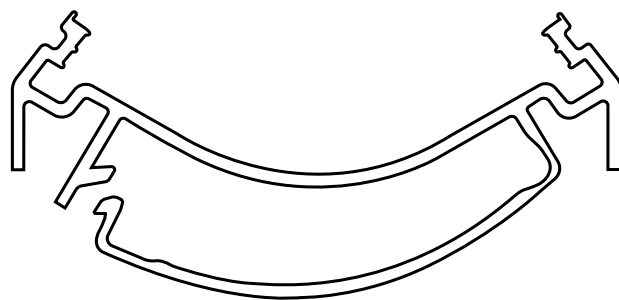


ケーブル管理、CAMERA MOUNT（オプション）、その他の取り付けオプション



Xeneon ディスプレイには、デスクトップを整理整頓するための RapidRoute ケーブル管理が内蔵されています。ケーブル管理のニーズに合わせてカスタマイズできるように、調整可能なケーブルクリップが4つあり、モニターのポストで上下にスライドできます。各ケーブルクリップを開くには、留め金を左に押し、ケーブルクリップを引き出します。ケーブルの配線後

ケーブルクリップを取り外したい場合は、ケーブルクリップを下にスライドさせ、チャンネルガイドから取り出すことによってポストからベース部分を外します。



ELGATO FLEX ARM 互換性

- Xeneon ディスプレイ支柱の上部には、1/4" の端子があり、Elgato Flex Arm やカメラ取り付けアダプターキット (別売り) を追加して、Xeneon ディスプレイの上部にカメラを取り付けることができます。これらのアクセサリは Corsair から直接購入できます。
- Xeneon カメラアダプター & ボールマウントキット (CM-8900001)
- Elgato Flex Arm-S (10AAH9901) または Flex Arm-L (10AAC9901) A division of CORSAIR

カメラマウントに関するセットアップビデオと手引きは、
<https://www.corsair.com/xeneon-quickstart> からご覧になれます。



Flex Arm S



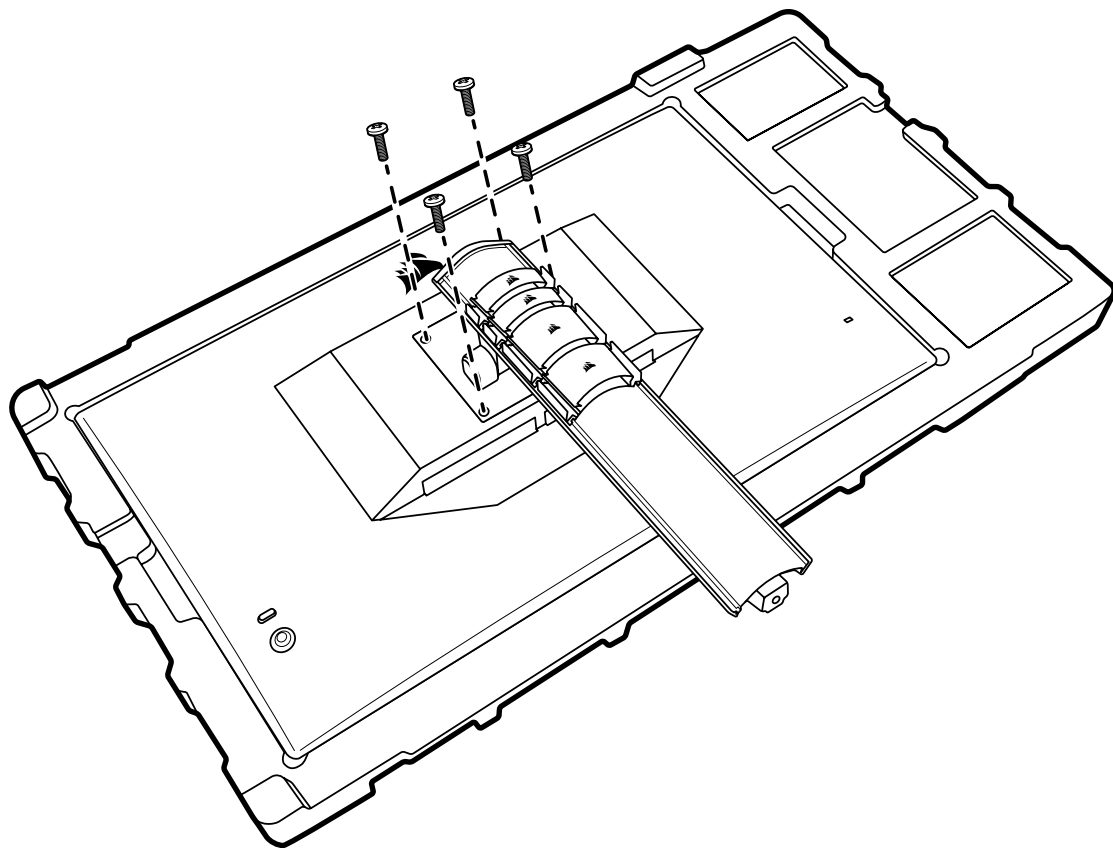
Flex Arm L



壁掛けマウント互換性

互換性のある壁掛けマウント (VESA 100mm x 100mm) でディスプレイを取り付ける前に次のことを確認してください:

- プラスドライバーでディスプレイからスタンドを取り外した
- 購入した壁掛けマウントブラケットが、このディスプレイの重量を支えられる

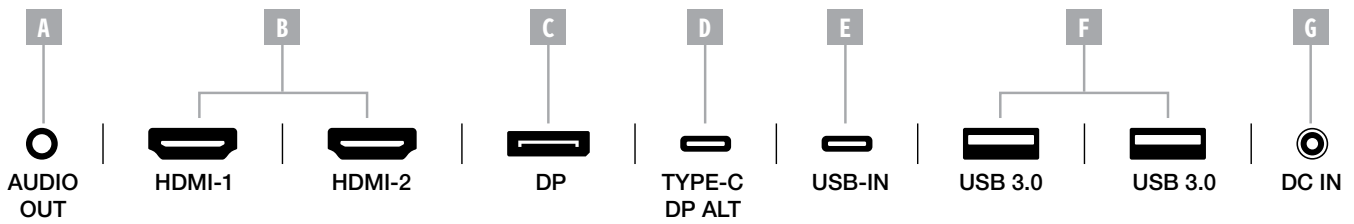


ディスプレイの正しい取り付け方についての詳しい情報は、壁掛けマウントに付属している手引きをお読みください。

警告：ディスプレイには背面に 4 つの VESA 取り付け穴があります。4 つのすべての穴に壁掛けマウントブラケットを固定する必要があります。穴を 4 つすべては使わない場合は、ディスプレイが落下して物的損害や怪我をするおそれがあります。

注：壁掛けマウント用のねじは付属していません。ねじ：M4 タイプ、壁掛けマウントに応じて 10mm ~ 12mm の長さ

接続性



A. 3.5mm オーディオジャック

接続している HDMI、DisplayPort、および USB-C Alt モードのデバイスからのオーディオ出力。

B. HDMI 2.0 ポート

デュアル HDMI 入力は “HDMI1” および “HDMI2” 入力に相当します。

C. DisplayPort 1.4 ポート

DisplayPort 入力は “DisplayPort” 入力に相当します。

D. USB Type-C ポート

DisplayPort Alt モードとアップストリーム USB 入力 (USB 3.0 ポートに接続) をサポートしています。“TYPE-C” 入力に相当します。CORSAIR iCUE の機能とダウンストリーム 3.0 ポートをサポートするには、このポートまたは USB アップストリームポートをホストデバイスの USB 対応ポートに接続する必要があります。

E. USB アップストリームポート

アップストリーム USB 入力ポート。CORSAIR iCUE の機能とダウンストリーム USB 3.0 ポートをサポートするには、このポートまたは USB アップストリームポートをホストデバイスの USB 対応ポートに接続する必要があります。

F. USB 3.0 ポート

デュアル Type-A 5 Gbps USB ポート。


G. DC In

付属 AC アダプターに接続します。

動作

制御

○  — 電源オン/オフ

 — 押す - ディスプレイ設定を開きます

上 - 輝度スライダーを開きます
下 - 画像モード選択を開きます
左 - 音量スライダーを開きます
右 - 入力ソース選択を開きます



モニターには、ショートカットを開いたり、ディスプレイ設定をナビゲートするためのジョイスティックが背面右側に付属しています。USB ハブを USB IN ポートを介してコンピュータに接続している場合は、これらの設定の多くが CORSAIR iCUE ソフトウェアでも制御できることに注意してください。iCUE の最新バージョン (4.16 以降) をインストールしてください。

<https://www.corsair.com/us/en/icue> から入手できます。

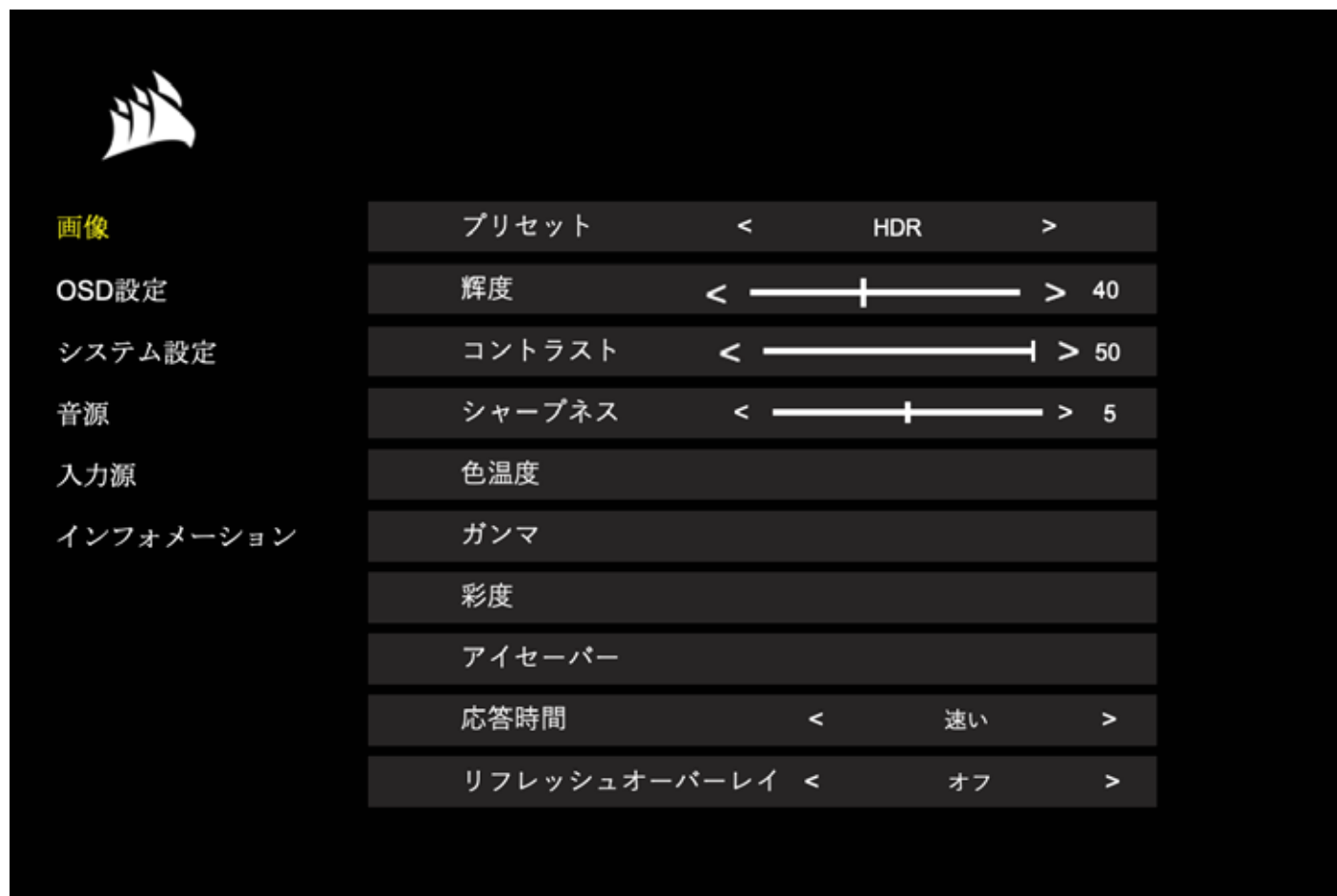
オンスクリーンディスプレイ (OSD)

ジョイスティックを内側に押すと、モニターのディスプレイ設定にアクセスできます。ジョイスティックを使用して設定をナビゲートすることができ、ジョイスティックを内側に押すと、選択内容が確認されます。

動作

OSD - 画像設定

「画像」というラベルの付いた最初のメニューには、全体の画質を調整するために以下の設定が含まれています。



動作

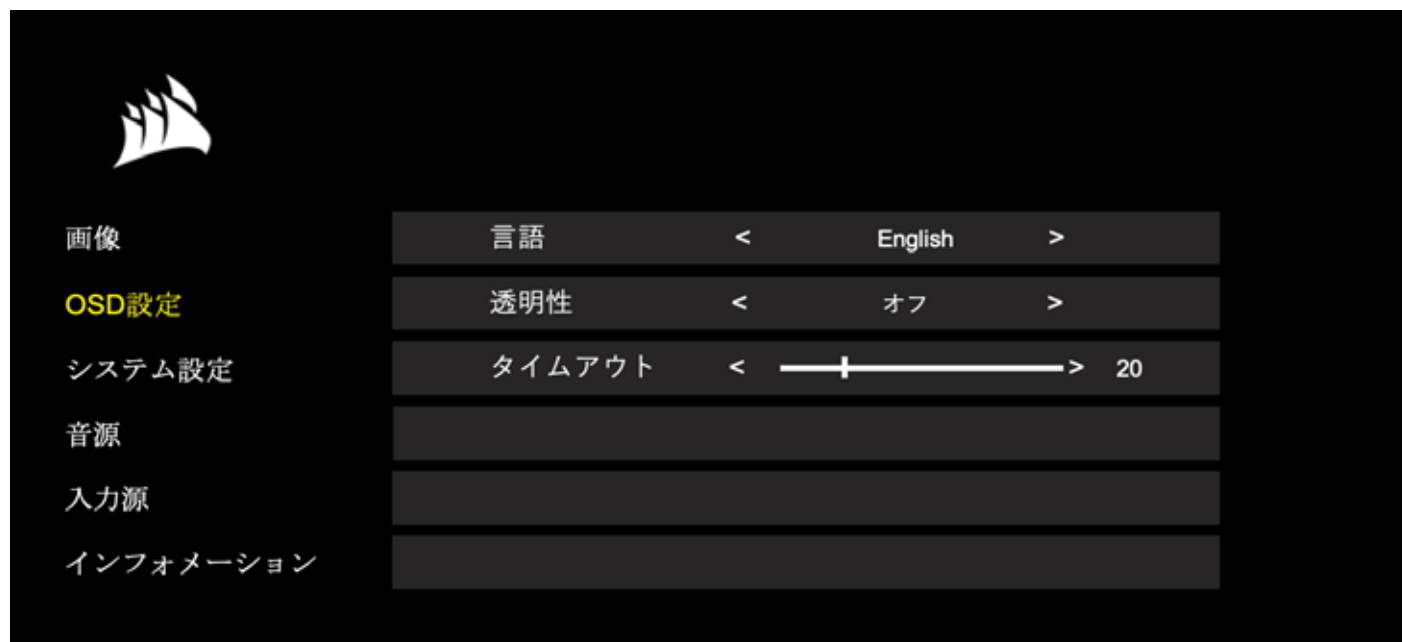
OSD - 画像設定

設定	オプション	説明
画像モード	標準	一般使用向けで最も電力を節約するように工場出荷時に較正されたディスプレイプリセットを選択します。
	ムービー	映画鑑賞用に最適化されたディスプレイプリセットを選択します。
	テキスト	テキストを読むために最適化されたディスプレイプリセットを選択します。
	sRGB	sRGB 色空間に工場出荷時に較正されたディスプレイプリセットを選択します。
	クリエイティブ	コンテンツ作成タスク用に工場出荷時に較正されたディスプレイプリセットを選択します。
	ゲーム	高速で動くゲームのプレイ用に最適化されたディスプレイプリセットを選択します。
	HDR	VESA DisplayHDR400 認証のディスプレイプリセットを選択します。
輝度	0 ~ 100	ディスプレイのバックライトの強度を調整します。
コントラスト	0 ~ 100	ディスプレイのコントラストを調整します。
シャープネス	0 ~ 5	エッジ部分のディテールを増やすことによって、ディスプレイのシャープネスフィルターを調整します。
色温度	低温	ディスプレイの色温度を 9300 K に設定します。
	標準	ディスプレイの色温度を標準の 6500 K に設定します。
	高温	ディスプレイの色温度を 5000 K に設定します。
	カスタム	赤、青、緑のレベルを制御するスライダーを使ってディスプレイの色温度を手動で設定できるようになります。
ガンマ	2.0、2.2、2.4	色と輝度の関係を調整します。デフォルトは2.2です。
彩度	0 ~ 10	ディスプレイの色の強度を調整します。
アイセーバー	オン/オフ	有効にしたとき、ディスプレイの青色光の放射を減らします。
応答時間	標準、高速、最高速	ピクセルの色の変化の速度を増やして、高速で動くオブジェクトのぼやけを減らすことができます。
リフレッシュオーバーレイ	オン/オフ	モニターの現在のリフレッシュレートを表示している右上隅のオーバーレイをトグルで切り替えます。Adaptive Sync が有効なときに毎秒あたりのフレーム数をトラッキングするのに便利です。
MPRT	オン/オフ	「動画応答時間」(MPRT) 設定をトグルで切り替えます。「オン」に設定されていると、動くオブジェクトのぼやけを減らすことができます。

動作

OSD - OSD 設定

「OSD 設定」というラベルの付いた第二のメニューには、オンスクリーンディスプレイを調整するために以下の設定が含まれています。



設定	オプション	説明
言語	英語 フランス語 ドイツ語 イタリア語 スペイン語 日本語 韓国語 ポルトガル語 ロシア語 中国語(繁体字)	OSD の言語を選択します。
透明度	オン/オフ	OSD を透明または不透明に設定します。
タイムアウト	10 ~ 60	OSD の画面表示が消えるまでの時間(秒)を調整します。

動作

OSD - システム設定

「システム設定」というラベルの付いた第三のメニューには、オンスクリーンディスプレイを調整するために以下の設定が含まれています。



動作

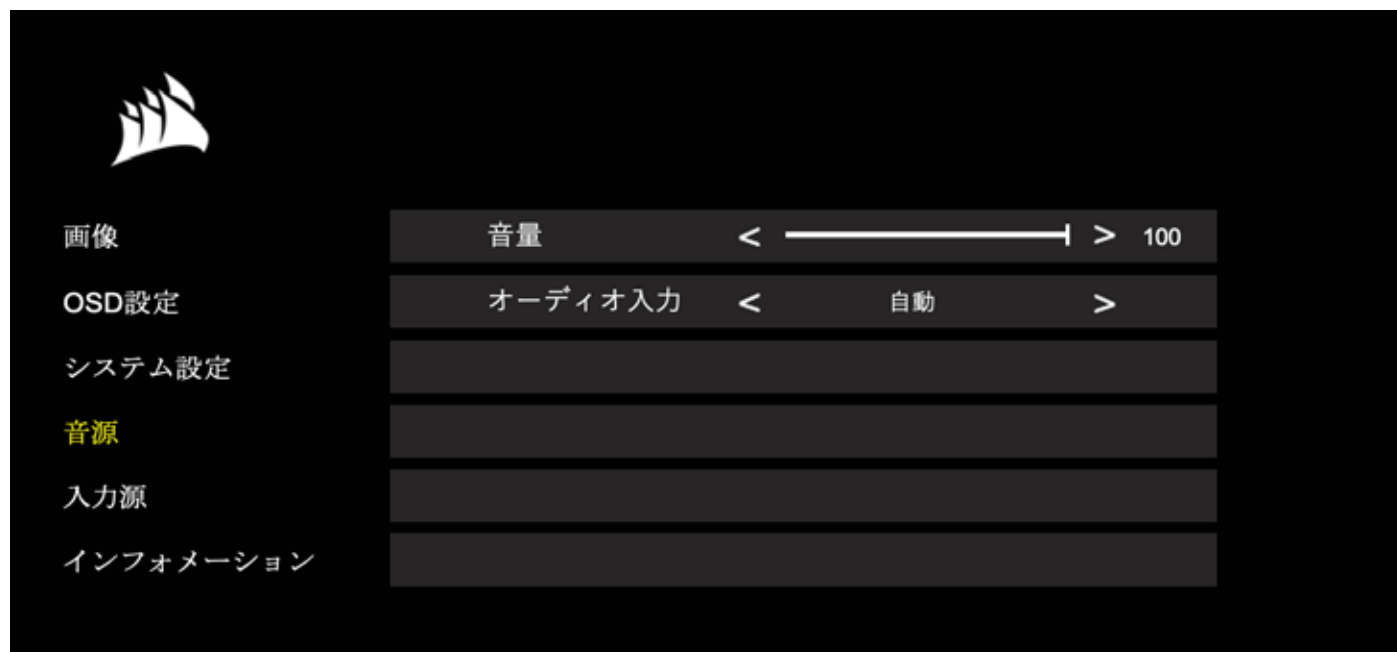
OSD - システム設定

設定	オプション	説明
アスペクト比	自動、4:3、16:9	ディスプレイのアスペクト比を選択します。「自動」では、ディスプレイのアスペクト比が入ってくるビデオ信号と一致させようとしています。Adaptive Sync が有効になっている場合、利用できません。
AMD FreeSync Premium	オン/オフ	<p>互換性のある GPU に接続するときは、Adaptive Sync 機能を有効または無効にします。HDMI 経由で AMD FreeSync を使う場合は、ON を選択して Adaptive Sync を有効にします。</p> <p>互換性のある GPU に DP ケーブルまたは USB Type-C Alt モードケーブルで接続している場合は、NVIDIA G-Sync 互換性が利用できません。NVIDIA G-Sync 互換性の場合：</p> <ul style="list-style-type: none">• NVIDIA コントロールパネルをインストール/開きます• 「G-Sync をセットアップ」を選択• 「G-Sync 互換性を有効にする」チェックボックスを選択• Select the 32QHD165/RDD0013• 「選択したディスプレイモデルの設定を有効にする」チェックボックスを選択します。 <p>NVIDIA 設定にアクセスするためにシステムの再起動が必要になる場合があります。</p>
LED	オン/オフ	前部電源 LED インジケータのオンまたはオフを選択します
ソース検出	自動または手動	信号を検出した場合、または手動で入力を切り替える必要がある場合に、ディスプレイが自動で別の入力に切り替えるかを検出します。
USB-C Alt モード(ディスプレイを USB-C ビデオポートで接続している場合のみ存在します)	4-lane 2 レーン	<p>ビデオのために USB-C ポートで使う USB レーンの数をトグルで切り替えます。</p> <ul style="list-style-type: none">• 4 レーンモードでは、最大で 2560x1440 @ 165Hz の解像度が可能になりますが、USB Type-A ポートの速度は USB 2.0 まで減少します• 2 レーンモードでは、最大で 2560x1440 @ 120Hz の解像度が可能になりますが、USB Type-A は USB 3.0 の速度になります
工場出荷時設定へのリセット	-	すべてのモニター設定を工場出荷時のデフォルト設定にリセットします。

動作

OSD - オーディオ

「オーディオ」というラベルの付いた第四のメニューでは、ディスプレイのオーディオを制御することができます。

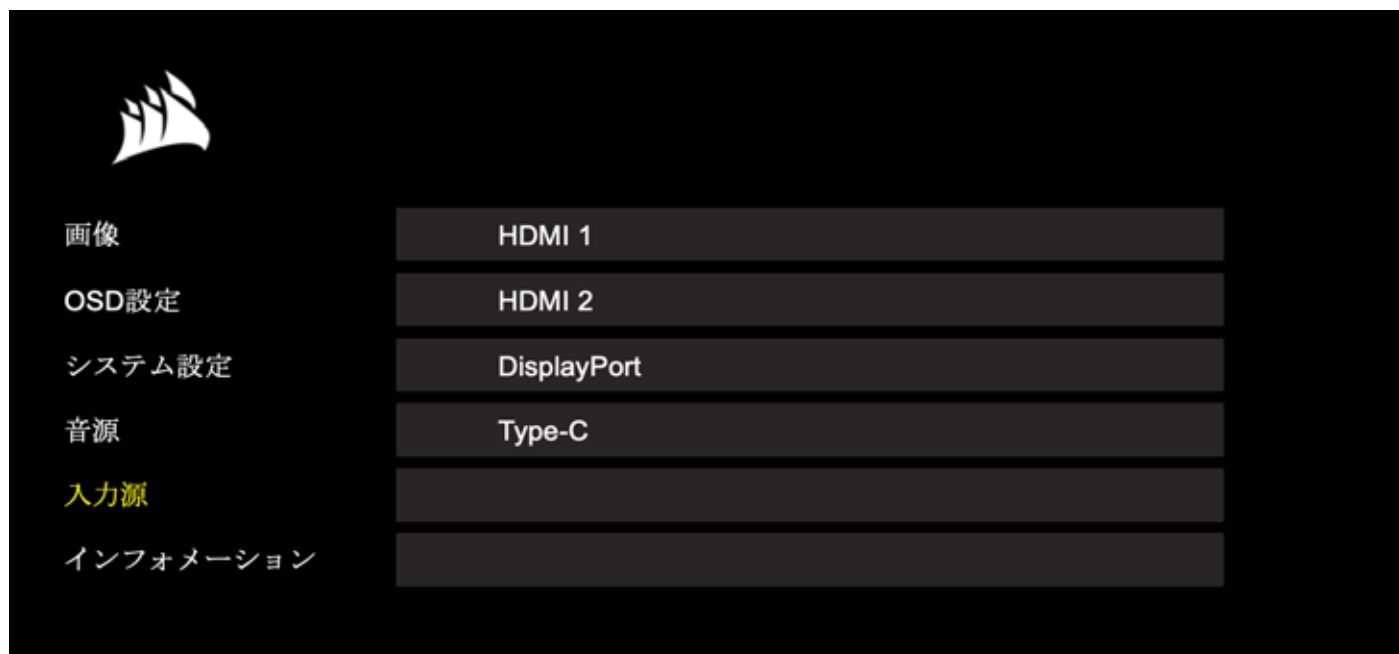


設定	オプション	説明
音量	0 ~ 100	ヘッドフォンジャックからのオーディオ出力の音量を調整します。
オーディオ入力	Auto, HDMI-1, HDMI-2, DisplayPort, USB-C	ディスプレイで、どの入力からオーディオをヘッドフォンジャックにパススルーするかを選択します。「自動」では、現在の入力を使用します。

動作

OSD - 入力選択

「入力選択」というラベルの付いた第五のメニューでは、ディスプレイの異なる入力間の切り替えを行います。



設定	説明
HDMI-1	HDMI-1 ポートに接続しているデバイスに切り替えます。
HDMI-2	HDMI-2 ポートに接続しているデバイスに切り替えます。
DisplayPort	「DP」 DisplayPort ポートに接続しているデバイスに切り替えます。
TYPE-C	TYPE-C ポートに接続しているデバイスに切り替えます。

動作

OSD - 情報

主要な機能には現在の設定ステータスを提供します



画像	ソース	DisplayPort
OSD設定	解像度	2560X1440
システム設定	リフレッシュオーバーレ	165Hz
音源	AMD FreeSync Premium	オン
入力源	HDR	オン
インフォメーション	ファームウェアバージョン	P08

動作

よくある質問 / トラブルシューティング

質問	答え
電源 LED がオンになっていません	モニターの背面にある電源ボタンを押して、オンになっているか点検します。
	電源ケーブルがモニターと電源アダプターに完全に差し込まれているか点検します。
	OSD システム設定メニューの電源 LED トグルがオンになっているか点検します。
スクリーンに画像が映りません	モニターがオンになっているか点検します。
	ビデオケーブルがモニターとソースデバイスに適切に接続されているか点検します。
	ビデオケーブルの品質を点検し、損傷を受けていないことを確認します。低品質のビデオケーブルや延長ケーブルは使用しないでください。
	モニターがどのビデオソース入力に設定されているか (OSD で自動ソース機能が無効になっているか) 点検します。
	他のソースデバイスを接続して、モニターのビデオ入力をテストします。
	ソースデバイスを他の利用可能なモニターに接続して、ビデオ出力をテストします。
	電源を入れたまま、モニターのプラグの抜き差しはしないでください。ソースデバイスに電源を入れる前に、モニターをソースに接続しておきます。
画像が明るすぎ/暗すぎます	OSD で輝度/ガンマ/コントラストを調整します。
	モニターをリセットして工場出荷時の設定に戻します。
ビデオ信号がサポートされていません	ソースデバイスのビデオ出力設定を点検します。CORSAIR XENEON 32QHD165 ゲーミングモニター用にサポートされている入力解像度は:

動作

よくある質問 / トラブルシューティング

質問	答え
CORSAIR XENEON 32QHD165 は USB-C 経由のビデオをサポートしていますか？	はい。CORSAIR XENEON 32QHD165 は専用の TYPE-C DP ALT 入力を通じて、USB-C 経由で DisplayPort をサポートしています。最高の結果を得るには、付属の 1.5m Type-C ケーブルまたは USB 3.2 Gen 2 をサポートしている高品質 USB Type-C ケーブルを使用します。
USB-C Alt モードをサポートしているデバイス、USB-C ケーブルを使って接続している場合、モニターの USB-A ポートに接続したデバイスを使用できません。	デフォルトでは、USB-C Alt モードが「4 レーン」で動作し、USB-C 経由で DisplayPort フル解像度が可能ですが、これにより、USB Type-A ポートの使用は無効になっています。TYPE-C DP ALT 入力経由でのみ接続したときに USB Type-A ポートを再度有効にするには、「2 レーン」モードに切り替えます。このモードは、モニターの USB Type-A ポートに接続する周辺機器用に USB Type-A を再度有効にするために、サポートしているビデオ出力解像度を制限します。代替の方法として、ソースデバイスを USB ダウンストリームポートおよび TYPE-C DP ALT ポートに接続してビデオのフル解像度と USB ポートのフル機能を得ることもできます。最高の結果を得るには、USB 3.2 Gen 2 をサポートしている高品質 USB Type-C ケーブルを使用していることを確認します。
画像が伸びて/つぶれています	「システム設定」で「アスペクト比」をチェックします。デフォルトでは、これが「自動」に設定されていますが、場合によっては手動でのアスペクト比の設定が必要になることがあります(アダプターと古いゲームコンソールの特定の組み合わせなど)。
画像のカラーに問題があります	ビデオケーブルの品質を点検し、損傷を受けていないことを確認します。低品質のビデオケーブルや延長ケーブルは使用しないでください。
	モニターをリセットして工場出荷時の設定に戻します。
	OSD で画像設定を調整します。
画面上の画像の歪み	ビデオケーブルの品質を点検し、損傷を受けていないことを確認します。
	ソースデバイスを点検します。グラフィックカードまたはゲームコンソールが故障しているときは、メーカーに連絡をとって支援を求める必要がある場合があります。
モニターにドット抜けがあります	CORSAIR はモニター製品に関して「ドット抜けゼロ」ポリシーをとっており、1 つ以上の明るいピクセルまたは 6 つ以上の暗いサブピクセルが見つかった場合、3 年間の保証期間中はモニターを交換します。
互換性があるのは、どの種類の VESA マウントですか？	CORSAIR XENEON 32QHD165 は標準の 100mm x 100mm マウントをサポートしており、モニターヘッドはスタンドから取り外す必要があります。VESA マウントに付属している取り付けねじを使用します。

動作

よくある質問 / トラブルシューティング

質問	答え
ウェブカメラまたはデジタル一眼レフ/ミラーレスカメラは取り付け可能ですか？	CORSAIR XENEON 32QHD165 は、ディスプレイの上部ベゼルに据える標準ウェブカメラや XENEON 用の Elgato マルチマウントアダプターキットと Elgato Flex Arm L/S キット (両方のアダプターキットと Flex Arm キットは別売り) を使用した場合には、大きなデジタル一眼レフ/ミラーレスカメラをサポートしています。
CORSAIR XENEON モニターが CORSAIR iCUE によって検出されません	PC に最新バージョンの CORSAIR iCUE がインストールされていることを確認してください。CORSAIR XENEON 32QHD165 は iCUE バージョン 4.15 以降でサポートされています。
	モニターの USB-C アップストリームと PC の USB 3.0 ポートに接続しているケーブルが適切に接続されていることを確認します。USB ハブまたは拡張ケーブルでモニターに接続することはできるだけ避けてください。最高の結果を得るために、CORSAIR XENEON モニターに付属している USB-C ケーブルを使用することをお勧めします。
CORSAIR XENEON ではどの適応リフレッシュレートのオプションが利用できますか？	CORSAIR XENEON 32QHD165 は AMD FreeSync Premium 認証で、NVIDIA G-SYNC とも互換性を持っています。
AMD FreeSync / G-SYNC が有効になっていません。	OSD で AMD FreeSync が有効になっていることを点検します。
	グラフィックカードの設定をチェックし、AMD FreeSync / NVIDIA G-SYNC が有効になっていることを確認します。AMD FreeSync はどのビデオポートでも機能します。NVIDIA G-Sync の互換性は、DP または USB Type-C Alt モード DP でのみ機能します。
モニターの定格のリフレッシュレート 165Hz になりません。	グラフィックカード/システムディスプレイの設定をチェックして、165Hz リフレッシュレートが有効になっていることを確認します。利用可能なオプションについては、付録の「サポートされているディスプレイモード」の表を参照してください。
	ビデオケーブルの品質を点検し、損傷を受けていないことを確認します。低品質のビデオケーブルや延長ケーブルは使用しないでください。

付録

技術仕様

製品名	XENEON 32QHD165
部品番号	CM-9020001
デバイス	32QHD165 / RDD0013
USB ハブ ID	CORSAIR USB 3.0 Hub
パネルサイズ	32" Diagonal
ディスプレイ表面	ノングレア
インチ当たりのピクセル数	91.8
アスペクト比	16:9
ネイティブ解像度	2560 x 1440 @ 165Hz
応答時間 (MPRT)	1ms
応答時間 (GtG)	<3ms
ディスプレイカラー	16.7M (8 ビット RGB)
パネルテクノロジー	量子ドットテクノロジーを使った IPS
フリッカーフリー	あり
視野角	178 °(H) /178 °(V)
ピーク輝度	400 ニト (SDR) / 440 ニト (HDR)
静的コントラスト比	1000:1
HDR 認証	VESA DisplayHDR 400
色域 (CIE 1976)	98% (DCI-P3)、100% (AdobeRGB)、100% (sRGB)
可変リフレッシュレート	AMD FreeSync Premium 認証、NVIDIA G-Sync 互換
HDMI 入力	HDMI 2.0 x 2
DisplayPort 入力	DisplayPort 1.4 x 1
USB-C 入力	DisplayPort 1.4 x 1 (USB-C Alt Mode), 15W Power Delivery, USB 5Gbps Data Upstream
USB-C アップストリーム入力	5Gbps USB-C x 1
USB-A 出力	2x 5Gbps Type-A USB (5V/0.9A *2)
3.5mm オーディオ	あり、ビデオ入力からパススルー

付録

技術仕様

消費電力(オン)	68W
消費電力(スリープ)	<0.5W
消費電力(オフ)	<0.3W
VESA 互換性	100mm x 100mm
寸法	732mm x 607mm x 316mm (縦×横×高さ)
重量	9.5kg
スタンド傾斜	-5°/+20°
スタンド左右回転	-30° / +30°
スタンドの高さ調整範囲	110mm
AC アダプター	90W
	注:デバイスでは以下の電源を使用しています:Asian Power デバイスs Inc. / DA-90J19

サポートされているディスプレイモード

解像度	リフレッシュレート
640x480	60, 67, 72, 75Hz
800x600	56, 60, 72, 75Hz
1024x768	60, 70, 75Hz
1280x1024	60, 75Hz
1440x900	60Hz
1680x1050	60Hz
1920x1080	30, 50, 60, 100, 120Hz
2560x1440	30*, 60, 120, 144*, 165Hz**
3840x2160***	30, 60Hz

*HDMI のみ。

**DisplayPort/USB-C Alt モード (4 レーン) のみ。

***画像はネイティブ解像度までダウンスケーリングされます。

付録

デフォルト画像プリセット値

設定	標準	ムービー	ゲーム	テキスト	クリエイティブ	sRGB	HDR
輝度	地域により異なります*	100	100	30	100	27	100
コントラスト	50	50	50	50	50	50	50
シャープネス	5	7	6	5	5	5	5
色温度	標準	標準	標準	高温	標準	sRGB	標準
ガンマ	2.2	2.2	2.2	2.2	2.2	sRGB	2.2
彩度	0	2	1	0	0	0	0
ブルーライト軽減	Off	Off	Off	Off	Off	Off	Off
応答時間	高速	高速	高速	標準	標準	標準	高速
MPRT	Off	Off	Off	Off	Off	Off	Off

*デフォルト輝度は地域により異なります

- ・北米 = 40
- ・ヨーロッパ = 30
- ・英国 = 30
- ・アジア = 60

HDMI 法的開示



HDMI

採用された商標、HDMI、HDMI High-Definition Multimedia Interface、および HDMI ロゴは、アメリカ合衆国およびその他の国々で HDMI Licensing Administrator, Inc. の商標または登録商標です。

用語 HDMI、HDMI High-Definition Multimedia Interface、および HDMI ロゴは、HDMI Licensing Administrator, Inc. の商標または登録商標です。

목차

주의 사항	2
포장 내용물	3
조립	4
틸트, 회전, 높이 조절	5
케이블 관리, 카메라 마운트(옵션) 및 기타 장착 옵션	6
연결성	9
작동	10
컨트롤	10
OSD(On-Screen Display)	10
OSD - 사진 설정	11
OSD - OSD 설정	13
OSD - 시스템 설정	14
OSD - 오디오	16
OSD - 입력 선택	17
OSD - 정보	18
자주 묻는 질문 / 문제 해결	19
제품 사양	22
기술 사양	22
지원되는 디스플레이 모드	23
기본 사진 사전 설정 값	24

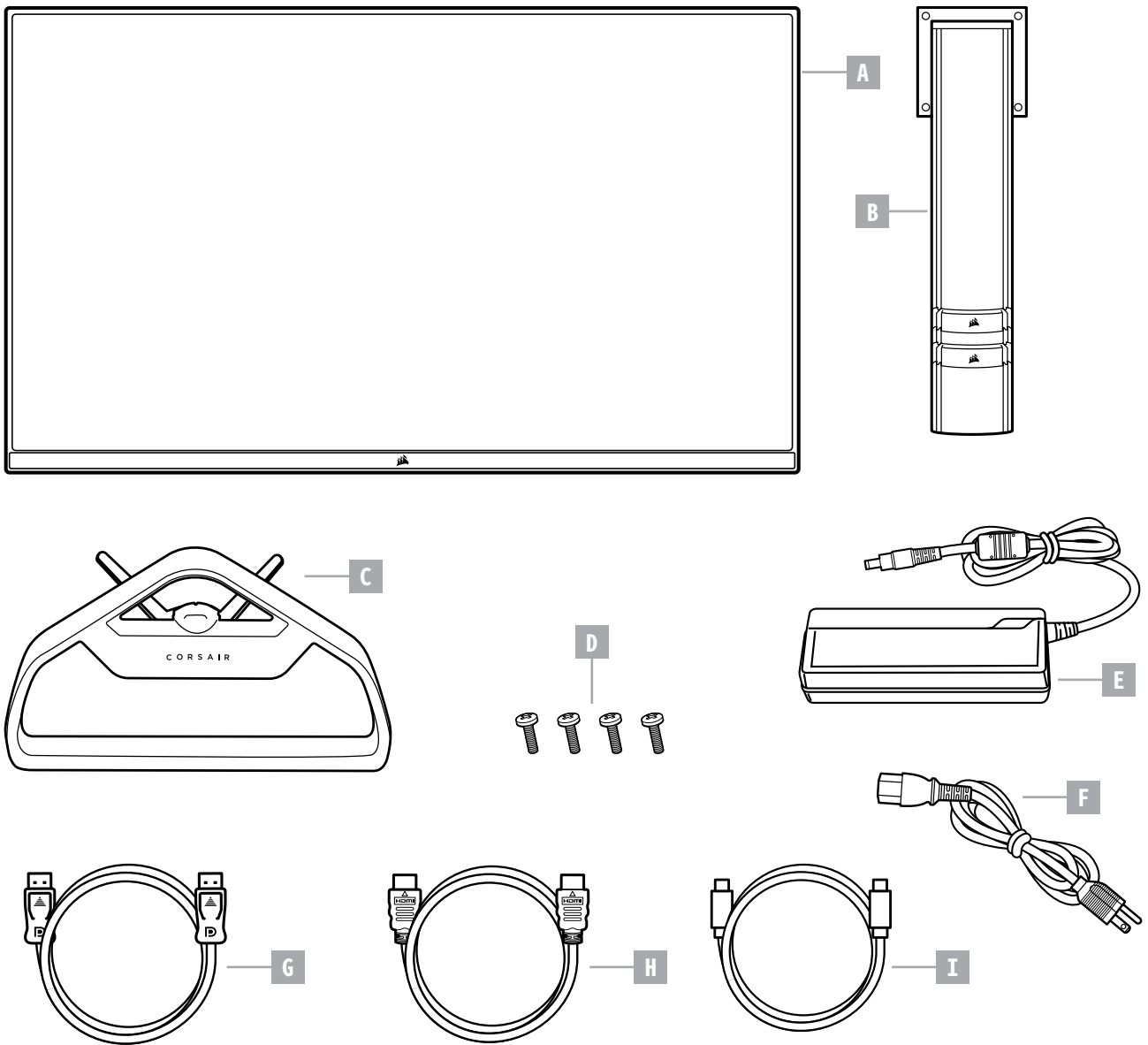


빠른 시작 안내서 및 설정
동영상을 확인하려면 QR
코드를 스캔하십시오

주의 사항

- 모니터와 함께 제공되거나 제조업체에서 권장하는 액세서리만 사용하십시오.
- 제품의 비닐 포장은 어린이의 손이 닿지 않는 곳에 보관하십시오.
- 모니터를 전원 콘센트에 연결하기 전에 전원 케이블의 정격 전압이 해당 거주 국가의 전원 사양과 호환되는지 확인하십시오.
- 전원 코드 플러그는 올바르게 배선 및 접지된 전원 콘센트에 연결해야 합니다.
- 젖은 손으로 플러그를 만지지 마십시오. 그렇지 않으면 감전될 위험이 있습니다.
- 모니터를 통풍이 잘되는 안정된 곳에 놓으십시오.
- 전기 라디에이터 또는 직사광선과 같은 열원 근처에 모니터를 두지 마십시오.
- 모니터의 구멍이나 개구부는 통풍을 위한 것입니다. 통풍구를 물체로 덮거나 막지 마십시오.
- 물, 음료수 또는 일체의 액체 근처에서 모니터를 사용하지 마십시오. 그렇지 않으면 감전되거나 모니터가 손상될 수 있습니다.
- 청소하기 전에 전원 콘센트에서 모니터 플러그를 뽑았는지 확인하십시오.
- 화면 표면은 긁히기 쉬우므로 딱딱하거나 날카로운 물체로 표면을 건드리지 마십시오. 티슈 대신 보풀이 없는 부드러운 천을 사용하여 화면을 닦으십시오. 필요한 경우 유리 세정제를 사용하여 장비를 청소할 수 있습니다. 그러나 절대로 세정제를 화면에 직접 분사하지 마십시오.
- 장비를 장기간 사용하지 않을 경우 전원 케이블을 분리하십시오.
- 모니터를 직접 분해하거나 수리하려고 하지 마십시오.

XENEON 32QHD165 디스플레이 내용물



A — XENEON 32QHD165 디스플레이 패널

B — 장착 기둥

C — 스탠드

D — 장착 나사(4개)

E — AC 어댑터

F — AC 전원 케이블

G — DISPLAYPORT CABLE (1.5M)

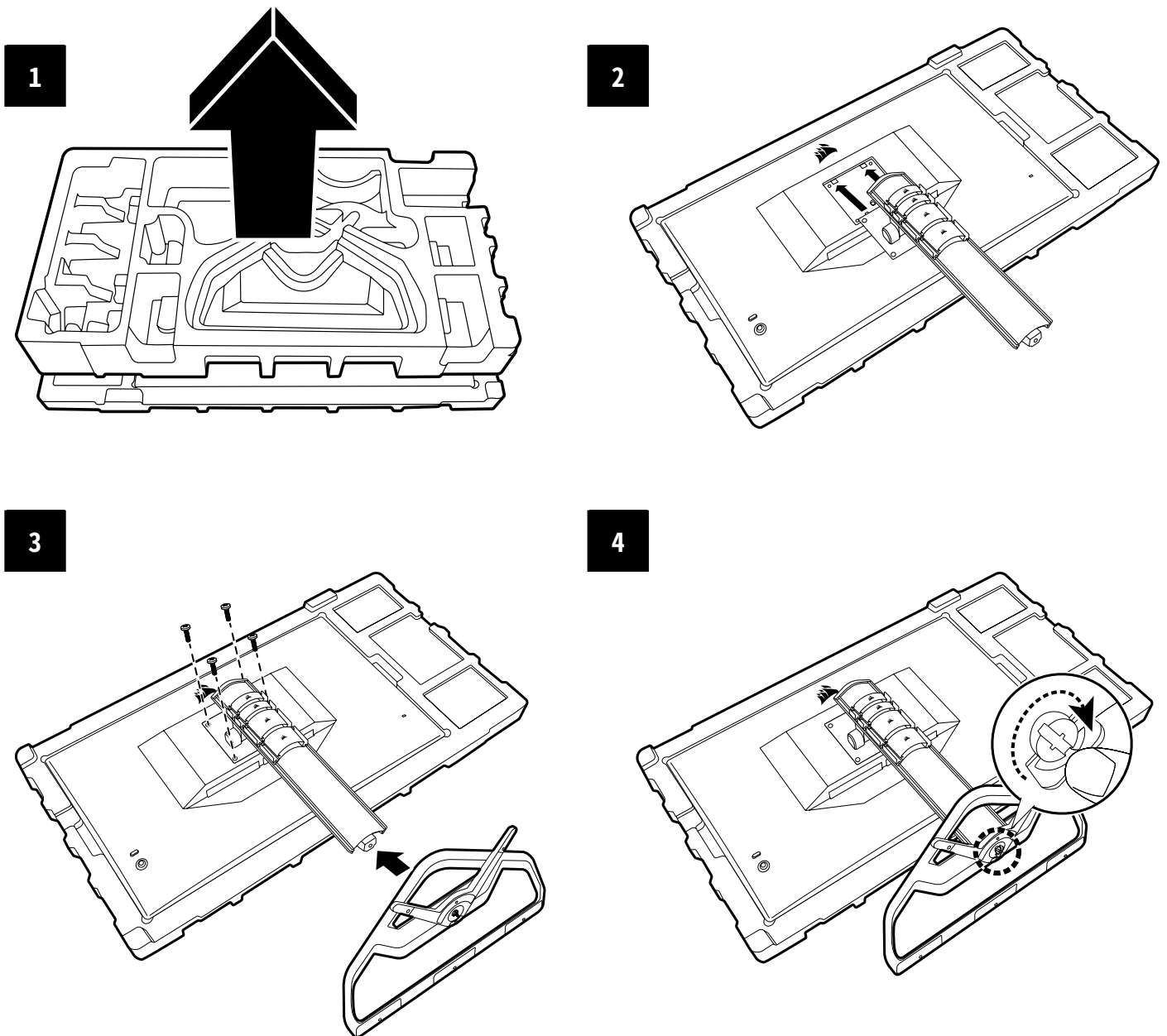
H — HDMI 케이블(1.5M)

I — USB-C 케이블(1.5M)

조립

시작하기 전에 십자 드라이버가 필요합니다.

1. 액세서리와 스탠드가 포함된 폼의 최상층을 제거하여 패널 후면이 노출되도록 합니다.
2. 패널을 덮고 있는 폼 봉지를 조심스럽게 열어(이미지 1 참조) 장착 영역이 노출되도록 합니다. 봉지에서 패널을 빼내지 마십시오.
3. 모니터 기둥을 패널 뒷면의 장착 슬롯에 맞춥니다(이미지 2 참조). 상단 후크를 패널 후면의 장착 슬롯에 밀어 넣습니다. 십자 드라이버를 사용하여 나사 4개로 기둥을 패널에 고정합니다.
4. 스탠드 베이스를 모니터 기둥에 부착하고(이미지 3 참조) 캡티브 나비 나사를 기둥 하단 안쪽으로 조입니다(이미지 4 참조).
5. 포장에서 모니터를 천천히 꺼내 책상 위에 똑바로 놓습니다. 모니터를 들어 올릴 때 패널 전면을 만지지 마십시오.



틸트, 회전, 높이 조절

Xeneon 디스플레이에는 틸트, 회전, 높이 조절 기능을 제공하는 견고한 세련된 스탠드가 있습니다.

- 틸트 -5 / +20도
- 회전 +/- 30도
- 높이 조절 범위 110mm(497mm~607mm)

틸트



회전 및 높이 조절

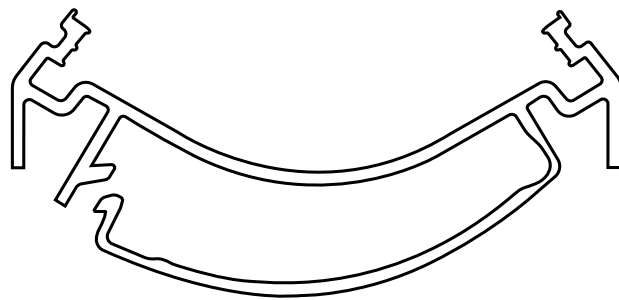


케이블 관리, 카메라 마운트(옵션) 및 기타 장착 옵션



Xeneon 디스플레이에는 RapidRoute 케이블 관리 기능이 내장되어 있어 데스크톱을 깔끔하게 유지할 수 있습니다. 모니터 스탠드에서 밀어 올리고 내리는 조정 가능한 케이블 클립이 4개 있어 케이블 관리 요구 사항을 맞춤화할 수 있습니다. 엄지 걸쇠를 왼쪽으로 누르고 케이블 클립을 당기면 각 케이블 클립이 열립니다.

케이블 클립을 제거해야 하는 경우, 케이블 클립을 아래로 밀어 채널 가이드에서 빼내 기둥에서 베이스를 제거하십시오.



ELGATO FLEX ARM 호환성

The top of the Xeneon display post features a 1/4" connector to allow for the addition of the Xeneon 디스플레이 기둥 상단에는 Elgato Flex Arm 및 카메라 장착 어댑터 키트(별도 판매)를 추가하여 Xeneon 디스플레이 상단에 카메라를 부착할 수 있는 1/4" 커넥터가 있습니다. 이러한 액세서리는 Corsair 에서 직접 구입할 수 있습니다.

- Xeneon 카메라 어댑터 및 볼 마운트 키트(CM-8900001)
- Elgato Flex Arm-S (10AAH9901) 또는 Flex Arm-L (10AAC9901)

A division of CORSAIR



카메라 마운트의 설치 비디오 및 지침은

<https://www.corsair.com/xeneon-quickstart> 에서 볼 수 있습니다.



Flex Arm S

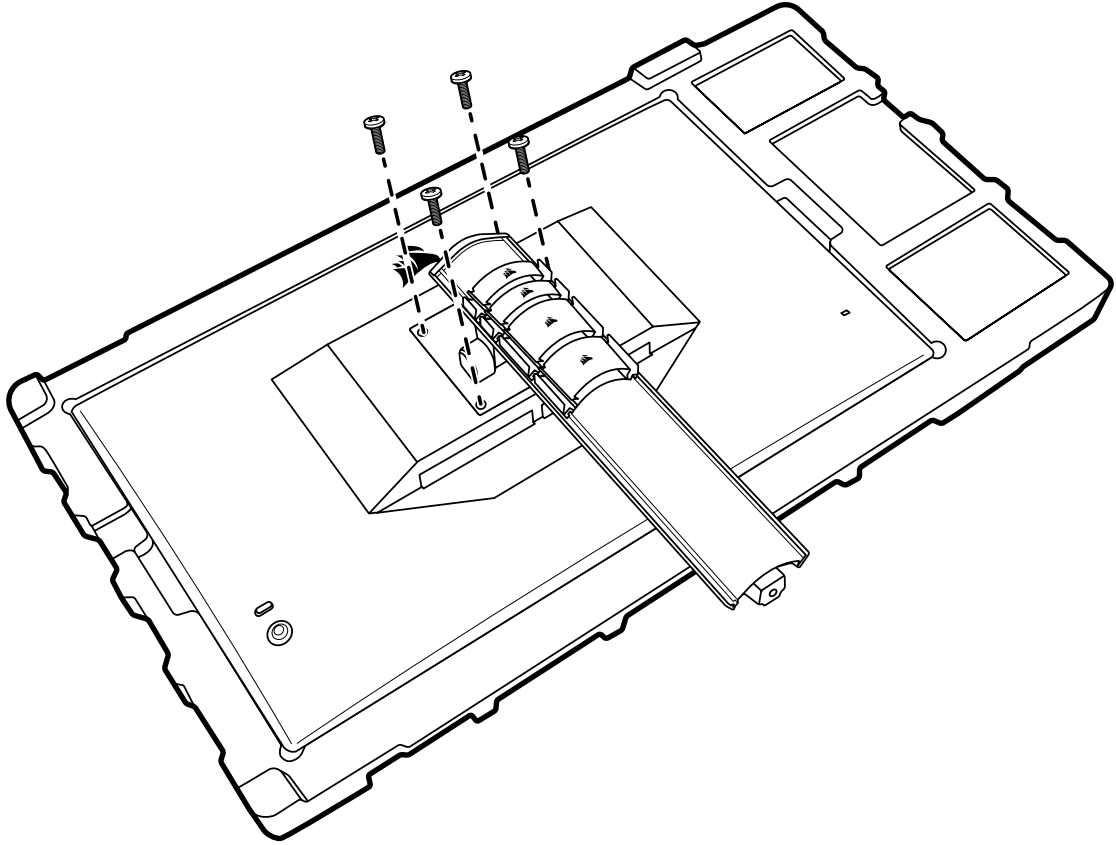


Flex Arm L



벽걸이 거치대 호환성

- 호환되는 벽걸이 거치대(VESA 100mm x 100mm)로 디스플레이를 장착하기 전에 다음을 확인하십시오.
- 십자 드라이버로 디스플레이에서 스탠드를 제거했습니다.
- 구입한 벽걸이 거치대 브래킷은 이 디스플레이의 무게를 지탱합니다.

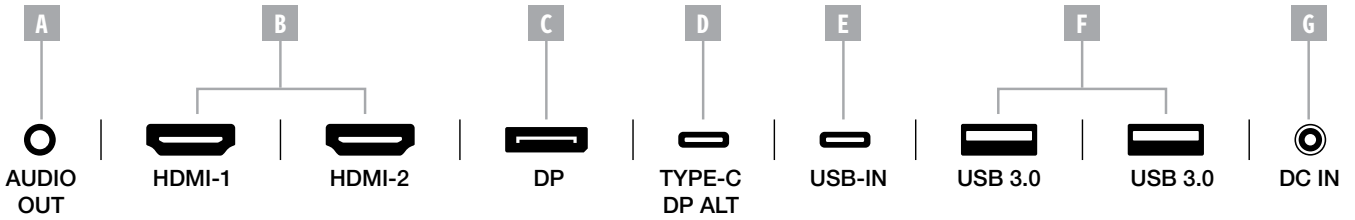


디스플레이를 올바르게 장착하는 방법에 대한 자세한 내용을 보려면 해당 벽걸이 거치대와 함께 제공된 지침을 살펴보십시오.

경고: 디스플레이 뒷면에 VESA 장착 구멍이 4개 있습니다. 구멍 4개 모두에 벽걸이 거치대 브래킷을 고정해야 합니다. 구멍 4개를 모두 사용하지 않으면 디스플레이가 떨어져 재산 피해 또는 부상이 발생할 수 있습니다.

참고: 벽걸이 거치대 나사는 포함되어 있지 않습니다. 나사: M4 유형, 벽걸이 거치대에 따라 10mm~12mm 길이

연결성




- A. 3.5mm 오디오 잭
연결된 HDMI, DisplayPort 및 USB-C Alt 모드 장치의 오디오 출력.
- B. HDMI 2.0 포트
듀얼 HDMI 입력은 “HDMI1” 및 “HDMI2” 입력에 해당합니다.
- C. DisplayPort 1.4 포트
DisplayPort 입력은 “DisplayPort” 입력에 해당합니다.
- D. USB Type-C 포트
DisplayPort Alt 모드 및 업스트림 USB 입력(USB 3.0 포트에 연결)을 지원합니다.
“TYPE-C” 입력에 해당합니다. CORSAIR iCUE 기능과 다운스트림 USB 3.0 포트를 지원하려면 이 포트 또는 USB 업스트림 포트를 호스트 장치의 USB 호환 포트에 연결해야 합니다.
- E. USB 업스트림 포트
업스트림 USB 입력 포트. CORSAIR iCUE 기능과 다운스트림 USB 3.0 포트를 지원하려면 이 포트 또는 USB Type-C 포트를 호스트 장치의 USB 호환 포트에 연결해야 합니다.
- F. USB 3.0 포트
듀얼 Type-A 5Gbps USB 포트.
- G. DC 입력
포함된 AC 어댑터에 연결합니다.

작동

컨트롤

○  전원 켜기/끄기

 누르기 - 디스플레이 설정 열기

위로 - 밝기 슬라이더 열기
아래로 - 사진 모드 선택 열기
왼쪽 - 볼륨 슬라이더 열기
오른쪽 - 입력 소스 선택 열기



모니터의 후면 우측에 조이스틱이 있는데, 이 조이스틱으로 바로 가기를 열고 디스플레이 설정을 탐색할 수 있습니다. USB 입력 포트를 통해 컴퓨터에 연결된 USB 허브가 있는 경우 이러한 설정 중 다수는 CORSAIR iCUE 소프트웨어에서도 제어할 수 있습니다.
<https://www.corsair.com/us/en/icue>

에서 최신 버전의 iCUE(4.16 이상)를 설치하십시오.

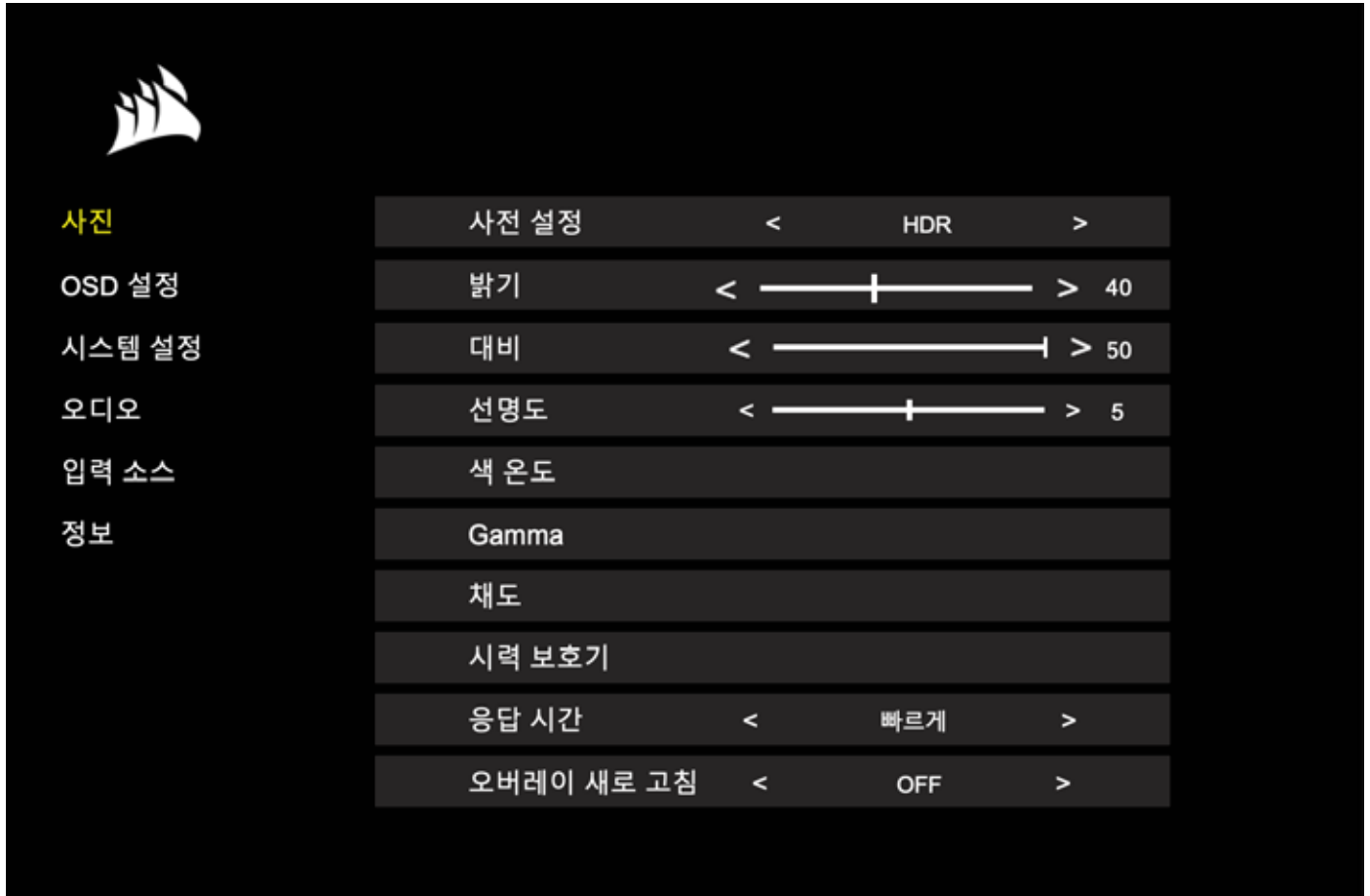
OSD(On-Screen Display)

조이스틱을 안쪽으로 누르면 모니터의 디스플레이 설정에 액세스할 수 있습니다. 조이스틱을 사용해 설정을 탐색할 수 있으며, 조이스틱을 안쪽으로 눌러 선택을 확인할 수 있습니다.

작동

OSD - 사진 설정

“그림”이라는 레이블이 지정된 첫 번째 메뉴에는 전체 사진 화질을 조정할 수 있는 다음과 같은 설정이 있습니다.



작동

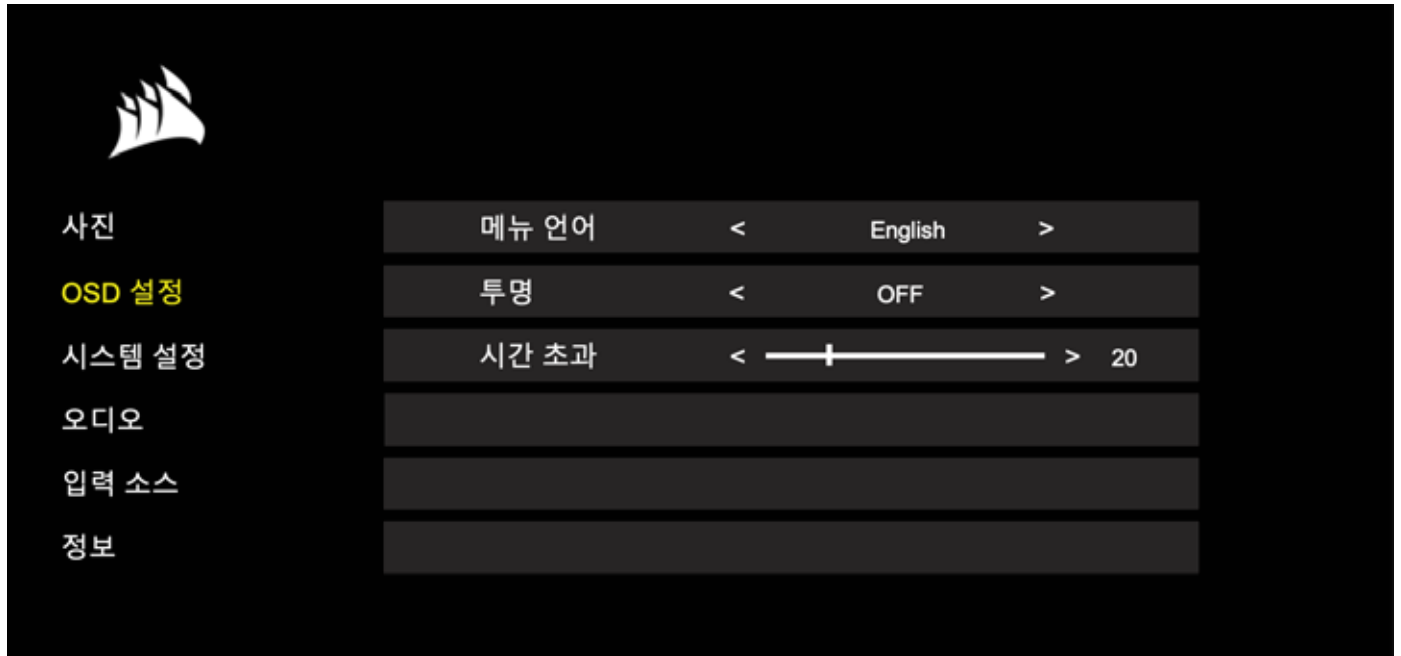
OSD - 사진 설정

설정	옵션	설명
사진 모드	표준	일반 용도와 최상의 절전을 위해 공장에서 보정된 디스플레이 사전 설정을 선택합니다.
	무비	영화 감상에 최적화된 디스플레이 사전 설정을 선택합니다.
	텍스트	텍스트 읽기에 최적화된 디스플레이 사전 설정을 선택합니다.
	sRGB	sRGB 색 공간에 맞춰 공장에서 보정된 디스플레이 사전 설정을 선택합니다.
	크리에이티브	콘텐츠 만들기 작업용으로 공장에서 보정된 디스플레이 사전 설정을 선택합니다.
	게임	화면이 빠르게 움직이는 게임 플레이에 최적화된 디스플레이 사전 설정을 선택합니다.
	HDR	VESA DisplayHDR400 인증을 받은 디스플레이 사전 설정을 선택합니다.
밝기	0-100	디스플레이 백라이트의 강도를 조정합니다.
대비	0-100	디스플레이의 대비를 조정합니다.
선명도	0-5	디스플레이의 선명화 필터를 조정하여 가장자리 세부 표현을 강화합니다.
색 온도	쿨	디스플레이의 색 온도를 9,300K로 설정합니다.
	보통	디스플레이의 색 온도를 표준 6,500K로 설정합니다.
	웜	디스플레이의 색 온도를 5,000K로 설정합니다.
	사용자 지정	빨간색, 파란색 및 녹색 수준을 제어하는 슬라이더를 사용하여 디스플레이의 색 온도를 수동으로 설정할 수 있습니다.
감마	2.0, 2.2, 2.4	색과 밝기 사이의 관계를 조정합니다. 기본값은 2.2입니다.
포화도	0-10	디스플레이 색상의 농도를 조정합니다.
시력 보호기	켜기 또는 끄기	사용 시 디스플레이의 청색광 방출량을 줄입니다.
응답 시간	보통, 빠름, Fastest	픽셀의 색상 간 전환 속도를 높여 빠르게 움직이는 객체의 흐림을 줄일 수 있습니다.
오버레이 새로 고침	켜기 또는 끄기	오른쪽 상단 모서리에서 모니터의 현재 새로 고침 속도를 표시하는 오버레이를 전환하는데, 이는 적응형 동기화 기능을 사용할 때 초당 프레임 수를 추적하는 데 유용한 기능입니다.
MPRT	켜기 또는 끄기	“켜기”로 설정하면 움직이는 객체의 흐림을 줄일 수 있는 “사진 이동 응답 시간” 설정을 전환합니다.

작동

OSD - OSD 설정

“OSD 설정”이라는 레이블이 지정된 두 번째 메뉴에는 화면 표시를 조정할 수 있는 다음과 같은 설정이 포함되어 있습니다.

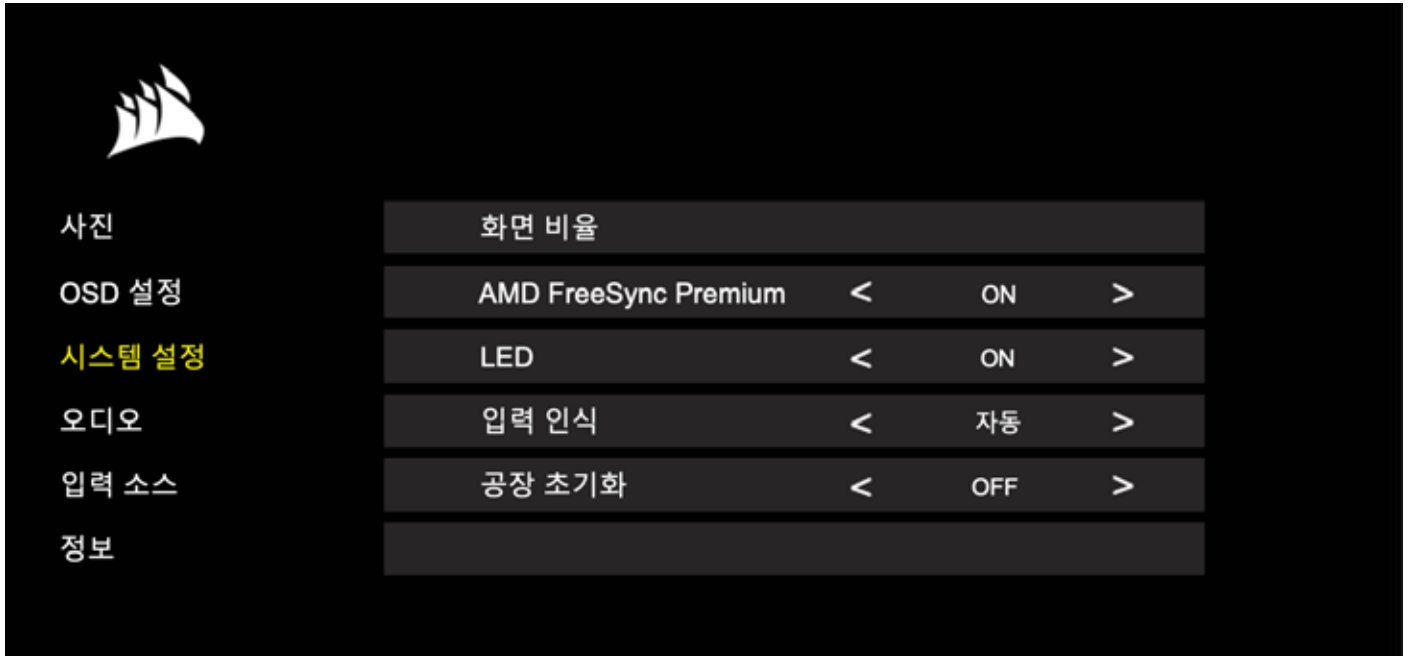


설정	옵션	설명
언어	영어 프랑스어 독일어 이탈리아어 스페인어 일본어 한국어 포르투갈어 러시아어 중국어(번체)	OSD의 언어를 선택합니다.
투명도	켜기 또는 끄기	OSD를 투명 또는 불투명으로 설정합니다.
시간 초과	10-60	OSD가 사라지기까지 화면에 남아 있는 시간(초)을 조정합니다.

작동

OSD - 시스템 설정

“시스템 설정”이라는 레이블이 지정된 세 번째 메뉴에는 디스플레이 내부 설정을 조정하는 다음과 같은 설정이 포함되어 있습니다.



작동

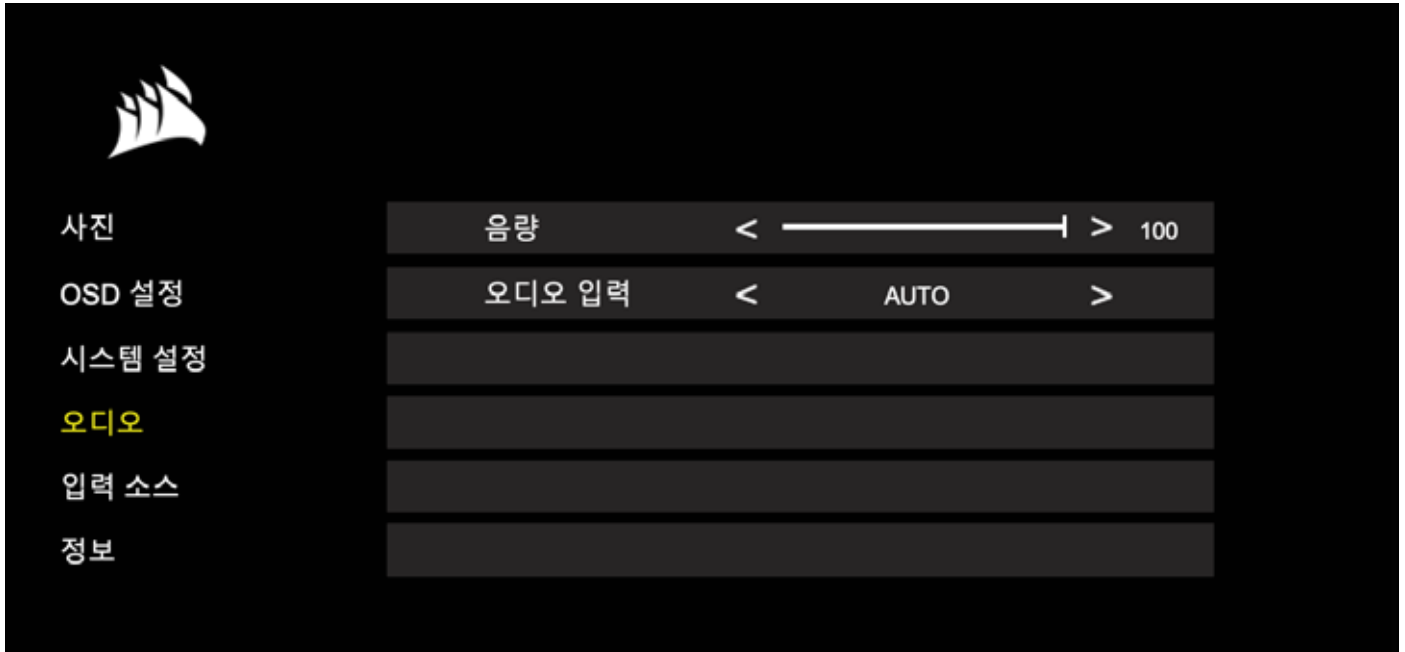
OSD - 시스템 설정

설정	옵션	설명
가로 세로 비율	자동, 4:3, 16:9	디스플레이의 가로 세로 비율을 선택합니다. “자동”으로 설정하면 디스플레이의 가로 세로 비율을 들어오는 비디오 신호와 일치시키려 합니다. Adaptive Sync가 사용 설정된 상태에서는 이용할 수 없습니다.
AMD FreeSync Premium	켜기 또는 끄기	<p>호환되는 GPU에 연결된 경우 적응형 동기화 기능을 사용 설정하거나 사용 중지합니다. HDMI를 통해 AMD FreeSync에 대한 적응형 동기화를 사용 설정하려면 켜기를 선택합니다.</p> <p>NVIDIA G-Sync 호환성은 DP 케이블 또는 USB Type-C Alt 모드 케이블을 통해 호환 GPU에 연결된 경우 사용할 수 있습니다. NVIDIA G-Sync 기능의 경우:</p> <ul style="list-style-type: none"> • NVIDIA 제어판 설치/열기 • “G-Sync 설정” 선택 • G-Sync 호환 사용 확인란 선택 • 32QHD165/RDD0013 선택 • “선택한 디스플레이 모델에 대한 설정 사용” 확인란을 선택합니다. <p>NVIDIA 설정에 액세스하려면 시스템 재부팅이 필요할 수 있습니다.</p>
LED	켜기 또는 끄기	전면 전원 LED 표시등 켜기 또는 끄기를 선택합니다.
소스 감지	자동 또는 수동	신호를 감지할 경우 디스플레이가 자동으로 다른 입력으로 전환되는지 또는 입력 간에 수동으로 전환해야 하는지 여부를 결정합니다.
USB-C Alt 모드(디스플레이가 USB-C 비디오 포트를 통해 연결된 경우에만 표시됨)	4레인 2레인	<p>비디오용 USB-C 포트에 사용할 USB 레인 수를 전환합니다.</p> <ul style="list-style-type: none"> • 4레인 모드는 최대 2560x1440 @ 165Hz 해상도를 허용하지만, USB Type-A 포트의 속도를 USB 2.0으로 줄입니다. • 2레인 모드는 최대 2560x1440 @ 120Hz를 허용하지만, USB 3.0 속도로 USB Type-A를 사용합니다.
공장 초기화	-	모든 모니터 설정을 공장 기본값으로 초기화합니다.

작동

OSD - 오디오

“오디오”라는 레이블이 지정된 네 번째 메뉴를 사용하여 디스플레이의 오디오를 제어할 수 있습니다.



설정	옵션	설명
볼륨	0-100	헤드폰 잭에서 오디오 출력의 볼륨을 조정합니다.
오디오 입력	Auto, HDMI-1, HDMI-2, DisplayPort, USB-C	디스플레이가 헤드폰 잭으로 오디오를 전달하는 입력을 선택합니다. “자동”으로 설정하면 현재 입력을 사용합니다.

작동

OSD - 입력 선택

“입력 선택”이라는 레이블이 지정된 다섯 번째 메뉴를 사용하여 디스플레이의 다양한 입력 간에 전환할 수 있습니다.



설정	설명
HDMI-1	HDMI-1 포트에 연결된 장치로 전환합니다.
HDMI-2	HDMI-2 포트에 연결된 장치로 전환합니다.
DisplayPort	“DP” DisplayPort 포트에 연결된 장치로 전환합니다.
TYPE-C	TYPE-C 포트에 연결된 장치로 전환합니다.

작동

OSD - 정보

주요 기능의 현재 설정 상태를 제공합니다.



사진	소스	DisplayPort
OSD 설정	해상도	2560X1440
시스템 설정	오버레이 새로 고침	165Hz
오디오	AMD FreeSync Premium	ON
입력 소스	HDR	ON
정보	FW 버전	P08

작동

자주 묻는 질문 / 문제 해결

질문	답변
전원 LED가 켜지지 않습니다	모니터 뒷면의 전원 버튼을 눌러 켜기로 설정되어 있는지 확인하십시오.
	전원 케이블이 모니터와 전원 어댑터에 완전히 꽂혀 있는지 확인하십시오.
	OSD 시스템 설정 메뉴의 전원 LED 토글이 켜져 있는지 확인하십시오.
화면에 이미지가 없습니다	모니터가 켜져 있는지 확인하십시오.
	비디오 케이블이 모니터와 소스 장치에 제대로 연결되어 있는지 확인하십시오.
	비디오 케이블의 품질을 점검하고 케이블이 손상되지 않았는지 확인하십시오. 품질이 낮은 비디오 케이블 및 연장선을 사용하지 마십시오.
	모니터가 어떤 비디오 소스 입력으로 설정되어 있는지 확인하십시오 (OSD에서 자동 소스 기능이 사용 중지된 경우).
	다른 소스 장치를 연결하여 모니터 비디오 입력을 테스트하십시오.
	소스 장치를 사용 가능한 다른 모니터에 연결하여 비디오 출력을 테스트하십시오.
	모니터에 대해 핫 플러그를 하지 마십시오. 소스 장치의 전원을 켜기 전에 모니터를 소스에 연결하십시오.장치.
이미지가 너무 밝습니다/어둡습니다	OSD를 통해 밝기/감마/대비 설정을 조정하십시오.
	모니터를 공장 설정으로 초기화하십시오.
비디오 신호가 지원되지 않습니다	소스 장치의 비디오 출력 설정을 확인하십시오. CORSAIR XENEON 32QHD165 게이밍 모니터에 지원되는 입력 해상도는 다음과 같습니다.

작동

자주 묻는 질문 / 문제 해결

질문	답변
CORSAIR XENEON 32QHD165는 USB-C를 통한 비디오를 지원합니까?	예, CORSAIR XENEON 32QHD165는 전용 TYPE-C DP ALT 입력으로 USB-C를 통한 DisplayPort를 지원합니다. 최상의 결과를 얻으려면, 포함된 1.5m Type-C 케이블을 사용하거나, USB 3.2 Gen 2를 지원하는 고품질 USB Type-C 케이블을 사용하십시오.
단일 USB-C 케이블을 사용하여 USB-C Alt 모드를 지원하는 장치에 연결할 때 모니터의 USB-A 포트에 연결된 장치를 사용할 수 없습니다.	기본적으로 USB-C Alt 모드는 USB-C를 통한 전체 DisplayPort 해상도를 허용하는 "4 레인" 모드에서 작동하지만, 이로 인해 USB Type-A 포트의 사용이 중지됩니다. TYPE-C DP ALT 입력을 통해서만 연결된 경우 USB Type-A 포트를 다시 사용 설정하려면 "2 레인" 모드로 전환하십시오. 이렇게 하면 지원되는 비디오 출력 해상도가 제한됩니다. 이는 모니터의 USB Type-A 포트에 연결된 주변 장치에 대해 USB Type-A 포트를 다시 사용 설정하기 위함입니다. 또는 전체 비디오 해상도 및 USB 포트 기능을 위해 소스 장치를 USB 다운스트림 포트와 TYPE-C DP ALT 포트에 연결할 수 있습니다. 최상의 결과를 얻으려면, USB 3.2 Gen 2를 지원하는 고품질 USB Type-C 케이블을 사용하십시오.
이미지가 늘어나거나 찌그러집니다	"시스템 설정"에서 "가로 세로 비율" 설정을 확인하십시오. 기본적으로 이것은 "자동"으로 설정되어 있지만, 특정 경우에는 수동으로 가로 세로 비율을 설정해야 할 수도 있습니다(예: 어댑터와 레트로 게임 콘솔이라는 특정 조합의 경우).
이미지에 색상 문제가 있습니다	비디오 케이블의 품질을 점검하고 케이블이 손상되지 않았는지 확인하십시오. 품질이 낮은 비디오 케이블 및 연장선을 사용하지 마십시오.
	모니터를 공장 설정으로 초기화하십시오.
	OSD를 통해 사진 설정을 조정하십시오.
화면 이미지의 아티팩트	비디오 케이블의 품질을 점검하고 케이블이 손상되지 않았는지 확인하십시오.
	소스 장치를 확인하십시오. 그래픽 카드 또는 게임 콘솔에 결함이 있는 경우 제조업체에 도움을 요청해야 할 수 있습니다.
모니터에 불량 화소가 있습니다	CORSAIR는 모니터 제품에 대해 "제로 불량 화소" 정책을 제공하며, 3년 보증 기간 동안 밝은 픽셀 1개 이상 또는 어두운 하위 픽셀 6개 이상이 발견되면 모니터가 교체됩니다.
어떤 종류의 VESA 마운트가 호환됩니까?	CORSAIR XENEON 32QHD165는 표준 100mm x 100mm 마운트를 지원하므로 모니터 헤드를 스탠드에서 제거해야 합니다. VESA 마운트와 함께 제공된 장착 나사를 사용하십시오.

작동

자주 묻는 질문 / 문제 해결

질문	답변
웹캠이나 DSLR/미러리스 카메라를 장착할 수 있습니까?	CORSAIR XENEON 32QHD165는 디스플레이 상단 베젤에 장착되는 표준 웹캠을 지원하며, XENEON용 Elgato 다중 장착 어댑터 키트 및 Elgato Flex Arm L/S 키트(어댑터 키트와 Flex Arm 키트 모두 별도 판매)와 함께 사용할 경우 대형 DSLR/미러리스 카메라도 지원합니다.
CORSAIR XENEON 모니터가 CORSAIR iCUE에서 감지되지 않습니다	PC에 최신 버전의 CORSAIR iCUE가 설치되어 있는지 확인하십시오. CORSAIR XENEON 32QHD165는 iCUE 버전 4.15 이상에서 지원됩니다. 모니터의 USB-C 업스트림과 PC의 USB 3.0 포트에 연결된 케이블이 제대로 연결되어 있는지 확인하십시오. 가능하면 USB 허브나 확장기를 통해 모니터를 연결하지 마십시오. 최상의 결과를 얻으려면 CORSAIR XENEON 모니터와 함께 제공된 USB-C 케이블을 사용하는 것이 적극 권장됩니다.
CORSAIR XENEON에서 사용할 수 있는 적응형 새로 고침 속도 옵션에는 무엇이 있습니까?	CORSAIR XENEON 32QHD165는 AMD FreeSync Premium 인증을 받았으며 NVIDIA G-SYNC와도 호환됩니다.
AMD FreeSync/G-SYNC가 사용되지 않습니다.	OSD를 통해 AMD FreeSync가 사용 설정되어 있는지 확인하십시오. 그래픽 카드 설정을 점검하고 AMD FreeSync / NVIDIA G-SYNC가 사용 설정되어 있는지 확인하십시오. AMD FreeSync는 모든 비디오 포트에서 작동합니다. NVIDIA G-Sync 호환성은 DP 또는 USB Type-C Alt 모드 DP에서만 작동합니다.
모니터의 정격 165Hz 새로 고침 속도에 도달하지 못하고 있습니다.	그래픽 카드/시스템 디스플레이 설정을 점검하고 165Hz 새로 고침 속도가 사용 설정되어 있는지 확인하십시오. 사용 가능한 옵션은 부록의 지원되는 디스플레이 모드 표를 참조하십시오. 비디오 케이블의 품질을 점검하고 케이블이 손상되지 않았는지 확인하십시오. 품질이 낮은 비디오 케이블 및 연장선을 사용하지 마십시오.

부록

기술 사양

제품명	XENEON 32QHD165
부품 번호	CM-9020001
장치	32QHD165 / RDD0013
USB 허브 ID	CORSAIR USB 3.0 Hub
패널 크기	32" Diagonal
디스플레이 표면	논글레어
인치당 픽셀	91.8
가로 세로 비율	16:9
기본 해상도	2560 x 1440 @ 165Hz
응답 시간 (MPRT)	1ms
응답 시간 (GtG)	<3ms
디스플레이 색상	16.7M(8비트 RGB)
패널 기술	Quantum Dot 기술이 적용된 IPS
플리커 프리	예
시야각	178°(H) / 178°(V)
피크 밝기	400니트(SDR) / 440니트(HDR)
정적 대비 비율	1000:1
HDR 인증	VESA DisplayHDR 400
색 영역(CIE 1976)	98%(DCI-P3), 100%(AdobeRGB), 100%(sRGB)
Variable 새로 고침 속도	AMD FreeSync Premium 인증, NVIDIA G-Sync 호환
HDMI 입력	2x HDMI 2.0
DisplayPort 입력	1x DisplayPort 1.4
USB-C 입력	1x DisplayPort 1.4(USB-C Alt 모드), 15W 전력 공급, USB 5Gbps 데이터 업스트림
USB-C 업스트림 입력	1x 5Gbps USB-C
USB-A 출력	2x 5Gbps Type-A USB(5V/0.9A *2)
3.5mm 오디오	비디오 입력에서의 패스스루

부록

기술 사양

전력 소비량(켜기)	68W
전력 소비량(절전)	<0.5W
전력 소비량(끄기)	<0.3W
VESA 호환성	100mm x 100mm
치수	732mm x 607mm x 316mm (W x H x D)
중량	9.5kg
스탠드 틸트	-5° / +20°
스탠드 회전	-30° / +30°
스탠드 높이 조절 범위	110mm
AC 어댑터	90W
	참고: 장치는 다음 전원공급장치를 사용합니다. Asian Power 장치s Inc. / DA-90J19

지원되는 디스플레이 모드

해상도	새로 고침 속도
640x480	60, 67, 72, 75Hz
800x600	56, 60, 72, 75Hz
1024x768	60, 70, 75Hz
1280x1024	60, 75Hz
1440x900	60Hz
1680x1050	60Hz
1920x1080	30, 50, 60, 100, 120Hz
2560x1440	30*, 60, 120, 144*, 165Hz**
3840x2160***	30, 60Hz

*HDMI 전용.

**DisplayPort/USB-C Alt 모드(4레인) 전용.

***이미지는 기본 해상도로 축소됩니다.

부록

기본 사진 사전 설정 값

설정	표준	무비	게임	텍스트	크리에이티브	sRGB	HDR
밝기	지역에 따라 다름*	100	100	30	100	27	100
대비	50	50	50	50	50	50	50
선명도	5	7	6	5	5	5	5
색온도	보통	보통	보통	웜	보통	sRGB	보통
감마	2.2	2.2	2.2	2.2	2.2	sRGB	2.2
포화도	0	2	1	0	0	0	0
로우 블루 라이트	꺼짐	꺼짐	꺼짐	꺼짐	꺼짐	꺼짐	꺼짐
응답 시간	빠름	빠름	빠름	보통	보통	보통	빠름
MPRT	꺼짐	꺼짐	꺼짐	꺼짐	꺼짐	꺼짐	꺼짐

* 기본 밝기는 지역에 따라 다릅니다.

- 북미 = 40
- 유럽 = 30
- 영국 = 30
- 아시아 = 60

HDMI 법적 고지



HDMI

채택된 상표 HDMI, HDMI High-Definition Multimedia Interface 및 HDMI 로고는 미국 및 기타 국가에서 HDMI Licensing Administrator, Inc.의 상표 또는 등록 상표입니다.

용어 HDMI, High-Definition Multimedia Interface 및 HDMI 로고는 HDMI Licensing Administrator, Inc.의 상표 또는 등록 상표입니다.



Web: corsair.com
Phone: (888) 222-4346
Warranty: corsair.com/support/warranty

Support: support.corsair.com
Blog: corsair.com/blog
Forum: forum.corsair.com
YouTube: youtube.com/corsairhowto

